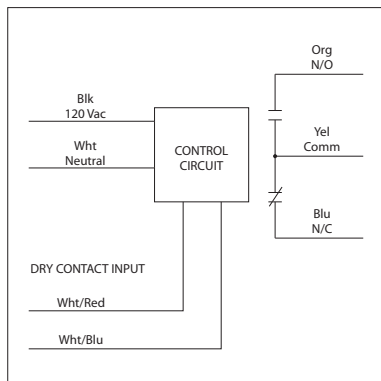


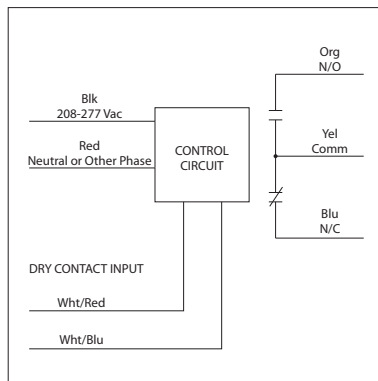
### RIB01BDC

Enclosed Relay 20 Amp SPDT, Class 2 Dry  
Contact Input, 120 Vac Power Input



### RIB02BDC

Enclosed Relay 20 Amp SPDT, Class 2 Dry  
Contact Input, 208-277 Vac Power Input



### Dry Contact Relays



### Specifications

**# Relays & Contact Type:** One (1) SPDT Continuous Duty Coil  
**Expected Relay Life:** 10 million cycles minimum mechanical  
**Operating Temperature:** -30 to 140° F  
**Humidity Range:** 5 to 95% (noncondensing)  
**Relay Status:** LED On = Activated  
**Dimensions:** 2.30" x 3.20" x 1.80" with .50" NPT Nipple  
**Wires:** 16", 600V Rated  
**Approvals:** UL Listed, UL916, C-UL  
 California State Fire Marshal, CE, RoHS  
**Housing Rating:** UL Accepted for Use in Plenum, NEMA 1  
**Gold Flash:** No  
**Override Switch:** No

**Contact Ratings:**  
 20 Amp Resistive @ 277 Vac  
 1110 VA Pilot Duty @ 277 Vac  
 770 VA Pilot Duty @ 120 Vac  
 20 Amp Ballast @ 277 Vac (N/O)  
 10 Amp Ballast @ 277 Vac (N/C)  
*Not rated for Electronic Ballast*  
 10 Amp Tungsten @ 120 Vac (N/O)  
 240 Watt Tungsten @ 120 Vac (N/C)  
 2 HP @ 277 Vac  
 1 HP @ 120 Vac

**Power Input:**  
 42 mA @ 120 Vac (RIB01BDC)  
 62 mA @ 208-277 Vac (RIB02BDC)

**Notes:**  
 • **Dry Contact Input Operation:**  
 Close White/Red wire to White/Blue wire to activate relay. If more than one DRY-CONTACT RIB® shares a single dry-contact input, White/Blue must be common.