

Closet Light Controller

• Description

Our closet light controllers are designed to switch a lighting load (ON/OFF) determined by the opening or closing of a variety of switches. For example, door jam switches, magnetic switches, ball switches, etc. This allows for convenient closet light control.

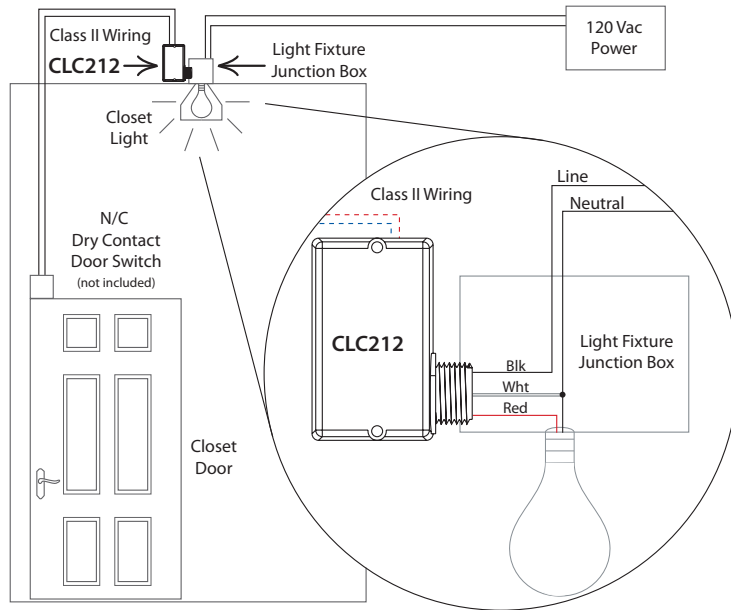
• Features

- 10 Amp N/O relay, Order -NC for Normally Closed relay
- UL listed
- 120-277 Vac power
- No transformer needed (dry contact input)
- Light 18 AWG wire used to control relay, instead of armored cable
- Perfect for new construction
- Made in USA



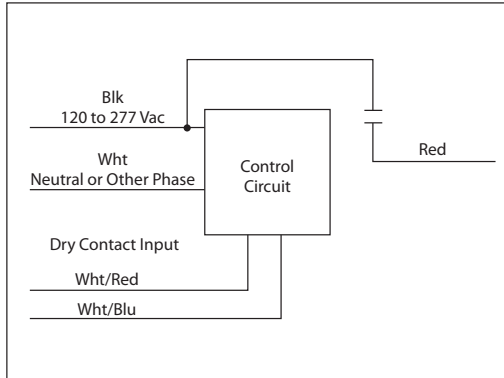
• New Construction Applications

- No stepdown transformer necessary
- Operates on any device from 120 Vac to 277 Vac
- Light 18 AWG wire used to control relay, instead of armored cable, but any size may be used
- Closet light turns on when door is open
- (Door switch not provided.) Customer needs to purchase Form C or N/C door switch



CLC212

Enclosed Relay 10 Amp SPST-N/O, Separated Class 2 Dry Contact Input, 120-277 Vac Power



Closet Light Controller



Specifications

Relays & Contact Type: One (1) SPST-N/O Continuous Duty Coil
Expected Relay Life: 10 million cycles minimum mechanical
Operating Temperature: -30 to 140° F
Relay Status: LED On = Activated
Dimensions: 1.70" x 2.80" x 1.50" with .50" NPT Nipple
Wires: 16", 600V Rated
Approvals: UL Listed, UL916, C-UL, CE
Housing Rating: UL Accepted for Use in Plenum, NEMA 1
Gold Flash: No
Override Switch: No

Contact Ratings:
 10 Amp General Use @ 277 Vac
 1/2 HP @ 125 Vac
 1 HP @ 250 Vac
 1/4 HP @ 277 Vac
 470 VA Pilot Duty @ 125 Vac
 770 VA Pilot Duty @ 250 Vac

Power Usage:
 50 mA @ 240 Vac Max.

Notes:

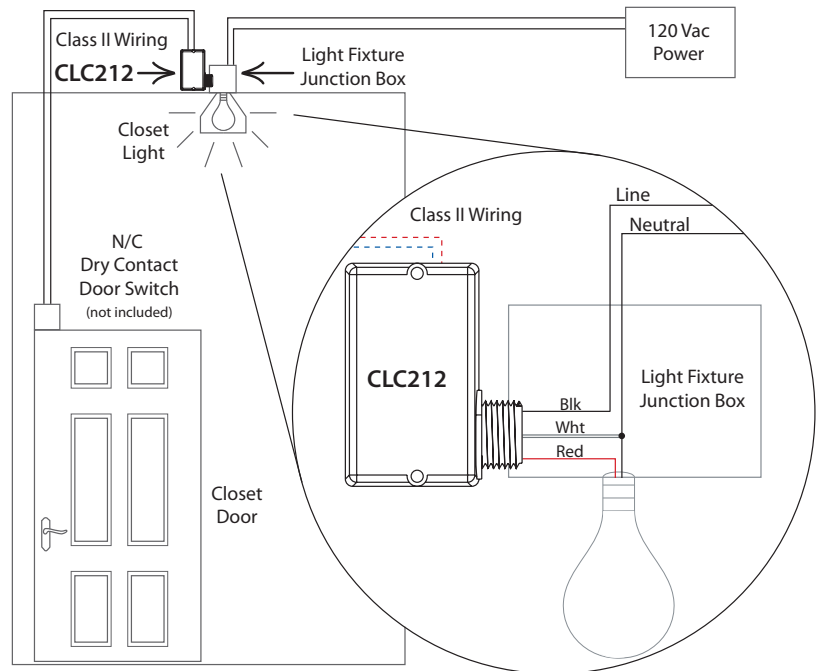
- **Dry Contact Input Operation:** Close Wht/Red wire to Wht/Blu wire to activate relay. Normally open relay will close. If more than one CLC212 shares a single dry contact input, Wht/Blu must be common.
- Order Normally Closed contact by adding "-NC" to end of model number for opposite operation. Normally closed will open when Wht/Red wire is closed to Wht/Blu wire.
- Switch must be Form C or N/C.
- Suggested switches: Detex® model MS-2049 or similar

New Construction Applications

- No stepdown transformer necessary
- Operates on any device from 120 Vac to 277 Vac
- Light 18 AWG wire used to control relay, instead of armored cable, but any size may be used
- Closet light turns on when door is open
- Customer needs to purchase Form C or N/C door switch.

A Normally Closed (N/C) door switch is closed when no outside forces are acting upon it. When used in this application, the switch is open when the door is closed, and the switch closes when the door is opened, activating the controller to turn the light on.

(Door switch not provided, see notes for details.)



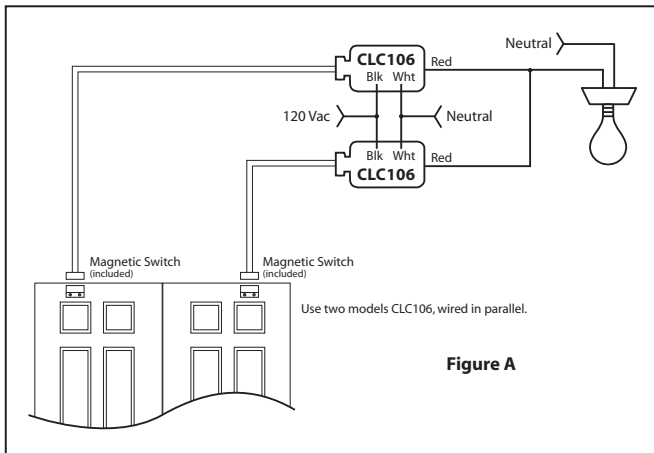
Closet Light Controller Selection Guide for Dual-Door Closets

Voltage	Recommended Application	Functional Devices Model	Off Delay	Recommended Door Contact *	Wiring Configuration	Wiring Diagram
120 Vac	Retrofit	CLC106	None	1 ACLCMAG Included	1 CLC106 per door, wired in Parallel	Fig. A
	New Construction	CLC212	None	Form C contact	1 contact per door, wired in Parallel	Fig. B
		CLC212-D15	15 min.	ACLCMAG	1 contact per door, wired in Series	Fig. C
		CLC212-D60	60 min.	ACLCMAG	1 contact per door, wired in Series	Fig. C
277 Vac	New Construction	CLC212	None	Form C contact	1 contact per door, wired in Parallel	Fig. B
		CLC212-D15	15 min.	ACLCMAG	1 contact per door, wired in Series	Fig. C
		CLC212-D60	60 min.	ACLCMAG	1 contact per door, wired in Series	Fig. C

* Details for Recommended Door Contact:

Form C contact (Provided by customer. For use with CLC212): A Form C door contact is a SPDT switch with one N/O connection, one N/C connection, and one COM (shared) connection. In order for model CLC212 to properly function, the Form C switch must be wired so that its contacts **CLOSE** when the door is **OPEN**. When the door is **OPEN**, the light will turn **ON**. Functional Devices recommends a Form C contact to avoid confusion between the alarm and controls industries' definitions of Normally Open and Normally Closed.

ACLCMAG (Available from Functional Devices. For use with CLC212-D15 and CLC212-D60): Model ACLCMAG is a magnetic door switch that **OPENS** its contacts when the closet door is **OPEN**. When the door is **OPEN**, the light will turn **ON**.



Always follow NEC® and local codes. Functional Devices, Inc. recommends adding a label on each device used in this application with the message: "WARNING – LOAD SIDE TERMINALS MAY BE ENERGIZED BY BACKFEED," similar to what is recommended in NEC® Article 404.6 (C) 2008.

