

Closet Light Controllers

• Description

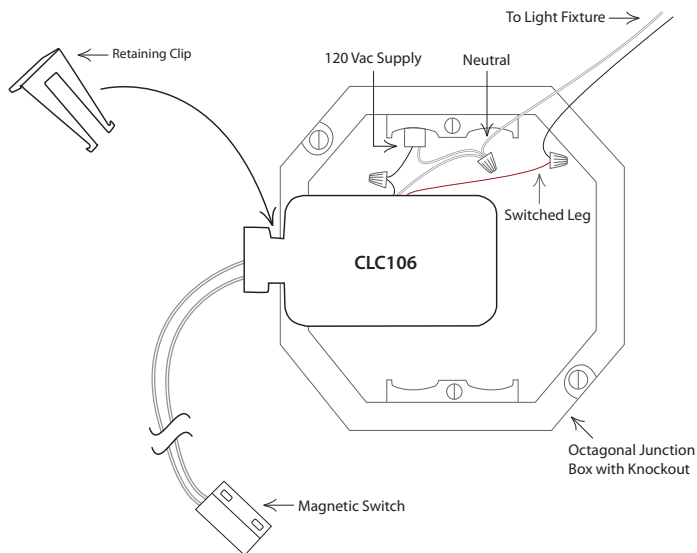
Our closet light controllers are designed to switch a lighting load (ON/OFF) determined by the opening or closing of a variety of switches. For example, door jam switches, magnetic switches, ball switches, etc. This allows for convenient closet light control.

• Features

- 5 Amp relay
- UL listed
- 120 Vac power
- Includes magnetic door jam switch
- Includes retaining clip
- Fits easily inside junction box
- No transformer needed (dry contact input)
- Perfect for retrofit applications
- Made in USA

• Retrofit Applications

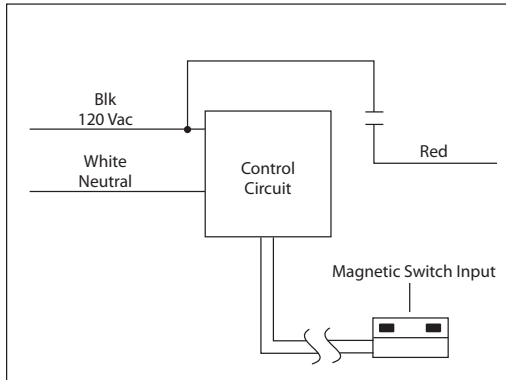
- Easily fits inside junction box
- Includes magnetic door switch. When the magnet and contact are separated, closet light turns on.
- 120 Vac operation



CLC106 Series

Enclosed Relay 5 Amp SPST, Separated Class 2 Magnetic Door Switch Input, 120 Vac Power

Closet Light Controllers



Specifications

Relays & Contact Type: One (1) SPST Continuous Duty Coil
Expected Relay Life: 10 million cycles minimum mechanical
Operating Temperature: -30 to 140° F
Dimensions: 2.90" x 1.50" x 1.05"
 with Retaining Clip for 1/2" Knockout
Wires: 16", 600V Rated (120 Vac Connections)
 6' Leads on Magnetic Door Switch
Approvals: UL Listed, UL916, C-UL, CE
Housing Rating: UL Accepted for Use in Plenum,
 NEMA 1
Gold Flash: No
Override Switch: No

Contact Ratings:
 5 Amp Resistive @ 120 Vac
 5 Amp Electronic Ballast @ 120 Vac
 5 Amp Magnetic Ballast @ 120 Vac
 5 Amp Tungsten @ 120 Vac

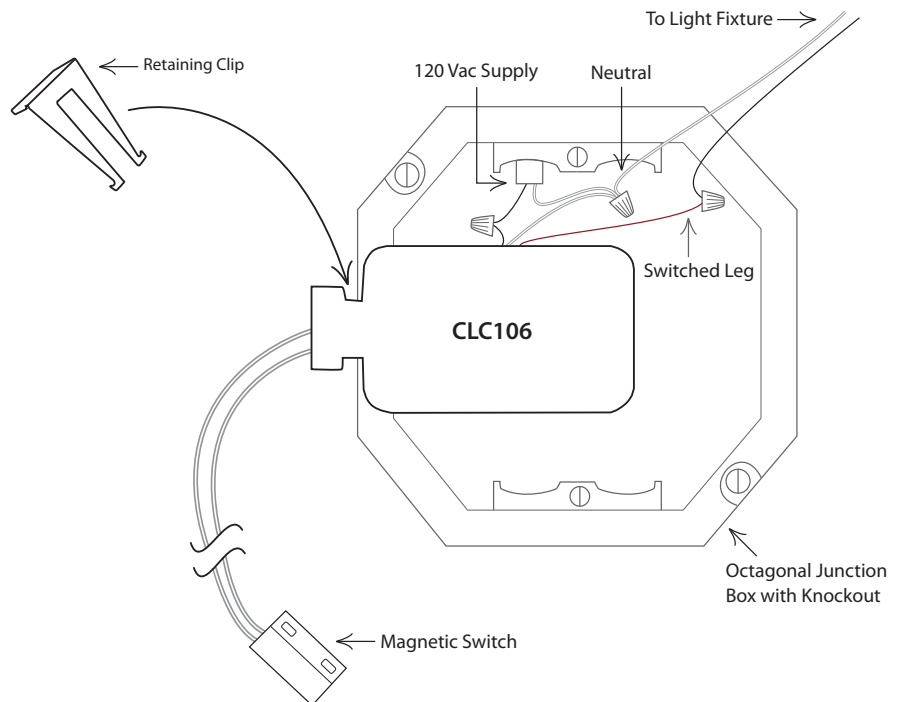
Power Usage:
 21 mA @ 120 Vac Max.

CLC106 Series Selection Guide

Model #	Magnetic Switch Closed	Magnetic Switch Open
CLC106	Light OFF	Light ON
CLC106-NC	Light ON	Light OFF

Retrofit Applications

- Easily fits inside junction box
- Includes magnetic door switch. When the magnet and contact are separated, closet light turns on.
- 120 Vac Operation



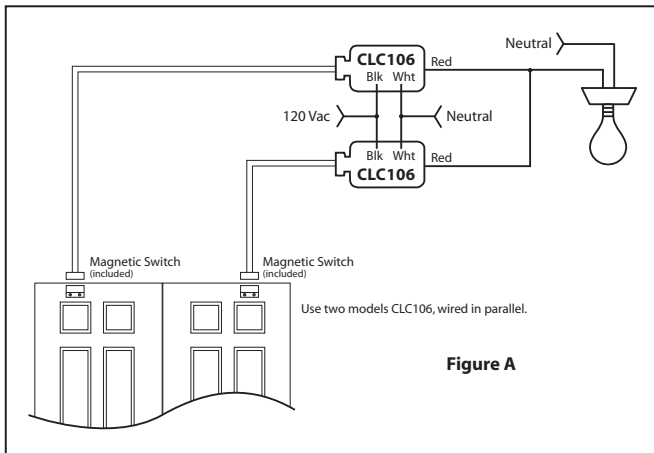
Closet Light Controller Selection Guide for Dual-Door Closets

Voltage	Recommended Application	Functional Devices Model	Off Delay	Recommended Door Contact *	Wiring Configuration	Wiring Diagram
120 Vac	Retrofit	CLC106	None	1 ACLCMAG Included	1 CLC106 per door, wired in Parallel	Fig. A
	New Construction	CLC212	None	Form C contact	1 contact per door, wired in Parallel	Fig. B
		CLC212-D15	15 min.	ACLCMAG	1 contact per door, wired in Series	Fig. C
		CLC212-D60	60 min.	ACLCMAG	1 contact per door, wired in Series	Fig. C
277 Vac	New Construction	CLC212	None	Form C contact	1 contact per door, wired in Parallel	Fig. B
		CLC212-D15	15 min.	ACLCMAG	1 contact per door, wired in Series	Fig. C
		CLC212-D60	60 min.	ACLCMAG	1 contact per door, wired in Series	Fig. C

* Details for Recommended Door Contact:

Form C contact (Provided by customer. For use with CLC212): A Form C door contact is a SPDT switch with one N/O connection, one N/C connection, and one COM (shared) connection. In order for model CLC212 to properly function, the Form C switch must be wired so that its contacts **CLOSE** when the door is **OPEN**. When the door is **OPEN**, the light will turn **ON**. Functional Devices recommends a Form C contact to avoid confusion between the alarm and controls industries' definitions of Normally Open and Normally Closed.

ACLCMAG (Available from Functional Devices. For use with CLC212-D15 and CLC212-D60): Model ACLCMAG is a magnetic door switch that **OPENS** its contacts when the closet door is **OPEN**. When the door is **OPEN**, the light will turn **ON**.



Always follow NEC® and local codes. Functional Devices, Inc. recommends adding a label on each device used in this application with the message: "WARNING – LOAD SIDE TERMINALS MAY BE ENERGIZED BY BACKFEED," similar to what is recommended in NEC® Article 404.6 (C) 2008.

