

**Part number:**

**T197915**

**Copyright**

© 2014, FLIR Systems, Inc.

All rights reserved worldwide. Names and marks appearing herein are either registered trademarks or trademarks of FLIR Systems and/or its subsidiaries. All other trademarks, trade names or company names referenced herein are used for identification only and are the property of their respective owners.

May 27, 2014, 10:19 PM

**Corporate Headquarters**

FLIR Systems, Inc.  
27700 SW Parkway Ave.  
Wilsonville, OR 97070  
USA  
Telephone: +1-503-498-3547

**Website**

<http://www.flir.com>

**Customer support**

<http://support.flir.com>

**Legal disclaimer**

Specifications subject to change without further notice. Camera models and accessories subject to regional market considerations. License procedures may apply.

Information and equipment described herein may require US Government authorization for export purposes. Diversion contrary to US law is prohibited.



**General description**

This wide angle lens has a field of view almost double that of the standard 25° lens. Perfect for wide or tall targets or when working in confined areas.

**Technical data**

Field of view (FOV)	45° x 34° (55° diagonally)
Minimum focus distance	150 mm (5.91 in.)
Focal length	13.1 mm (0.52 in.)
Spatial resolution (IFOV)	1.30 mrad
Lens identification	Automatic
F-number	1.0
Number of lenses	3 (3 asph)
MTF @ 70% of FOV	Normal requirements (52%)
Distortion	3%
Weight	0.209 kg (0.461 lb.)
Size (L x D)	50 x 67 mm (1.97 x 2.64 in.)
Front lens diameter	30 mm (1.18 in.)

**Shipping information**

- Lens
- Lens case
- Front lens cap
- Rear lens cap

**Compatible with the following products**

- 55904-6521 FLIR T640 15°
- 55904-6621 FLIR T640 25°
- 55904-6721 FLIR T640 45°
- 55904-6822 FLIR T640 15° (incl. Wi-Fi)
- 55904-6922 FLIR T640 25° (incl. Wi-Fi)
- 55904-7022 FLIR T640 45° (incl. Wi-Fi)
- 55904-7121 FLIR T640bx 15°
- 55904-7221 FLIR T640bx 25°
- 55904-7321 FLIR T640bx 45°
- 55904-7422 FLIR T640bx 15° (incl. Wi-Fi)
- 55904-7522 FLIR T640bx 25° (incl. Wi-Fi)
- 55904-7622 FLIR T640bx 45° (incl. Wi-Fi)
- 55904-7723 FLIR T650sc 15° (incl. Wi-Fi)
- 55904-7823 FLIR T650sc 25° (incl. Wi-Fi)
- 55904-7923 FLIR T650sc 45° (incl. Wi-Fi)
- 55903-4721 FLIR T620 15°
- 55903-4821 FLIR T620 25°
- 55903-4921 FLIR T620 45°
- 55903-5022 FLIR T620 15° (incl. Wi-Fi)
- 55903-5122 FLIR T620 25° (incl. Wi-Fi)
- 55903-5222 FLIR T620 45° (incl. Wi-Fi)
- 55903-5321 FLIR T620bx 15°
- 55903-5421 FLIR T620bx 25°
- 55903-5521 FLIR T620bx 45°
- 55903-5622 FLIR T620bx 15° (incl. Wi-Fi)
- 55903-5722 FLIR T620bx 25° (incl. Wi-Fi)
- 55903-5822 FLIR T620bx 45° (incl. Wi-Fi)
- 55904-5921 FLIR T630 15°
- 55904-6021 FLIR T630 25°
- 55904-6121 FLIR T630 45°



## IR lens, f=13.1 mm (45°) with case

---

### P/N: T197915

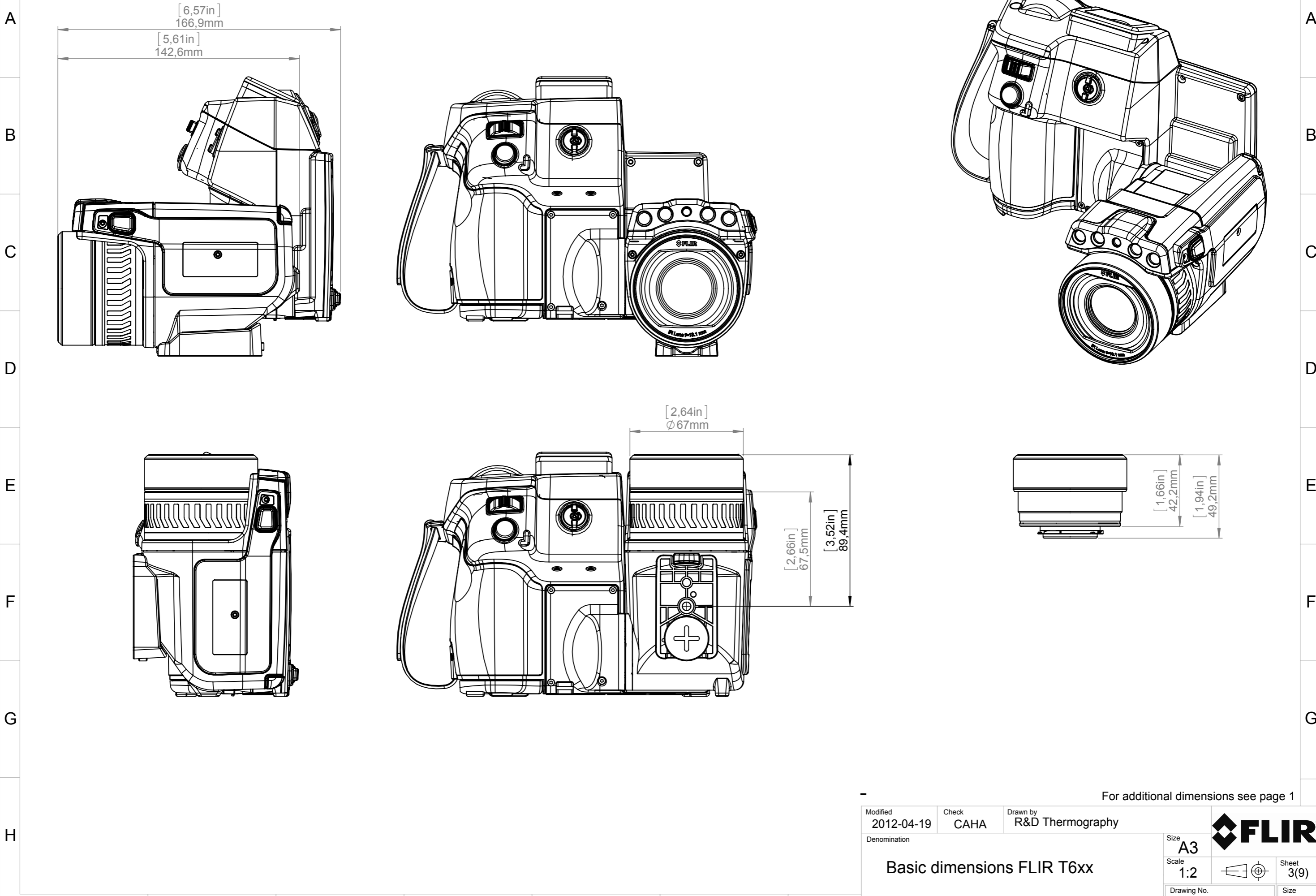
© 2014, FLIR Systems, Inc.  
All rights reserved worldwide.

### Compatible with the following products

---

- 55904-6222 FLIR T630 15° (incl. Wi-Fi)
  - 55904-6322 FLIR T630 25° (incl. Wi-Fi)
  - 55904-6422 FLIR T630 45° (incl. Wi-Fi)
  - 55903-3021 FLIR T610 15°
  - 55903-3721 FLIR T610 25°
  - 55903-3821 FLIR T610 45°
  - 55903-8022 FLIR T610 15° (incl. Wi-Fi)
  - 55903-3922 FLIR T610 25° (incl. Wi-Fi)
  - 55903-4022 FLIR T610 45° (incl. Wi-Fi)
  - 55903-0922 FLIR T600 15° (incl. Wi-Fi)
  - 55903-1022 FLIR T600 25° (incl. Wi-Fi)
  - 55903-1522 FLIR T600 45° (incl. Wi-Fi)
  - 55903-2822 FLIR T600bx 25° (incl. Wi-Fi)
  - 55903-2922 FLIR T600bx 45° (incl. Wi-Fi)
  - 55001-0104 FLIR A615 7°
  - 55001-0101 FLIR A615 15°
  - 55001-0102 FLIR A615 25°
  - 55001-0103 FLIR A615 45°
  - 55001-0105 FLIR A615 80°
  - 55001-0204 FLIR A645sc 7°
  - 55001-0201 FLIR A645sc 15°
  - 55001-0202 FLIR A645sc 25°
  - 55001-0203 FLIR A645sc 45°
  - 55001-0205 FLIR A645sc 80°
  - 55001-0304 FLIR A655sc 7°
  - 55001-0301 FLIR A655sc 15°
  - 55001-0302 FLIR A655sc 25°
  - 55001-0303 FLIR A655sc 45°
  - 55001-0305 FLIR A655sc 80°
-

# Camera with Lens IR f=13,1 mm (45°)

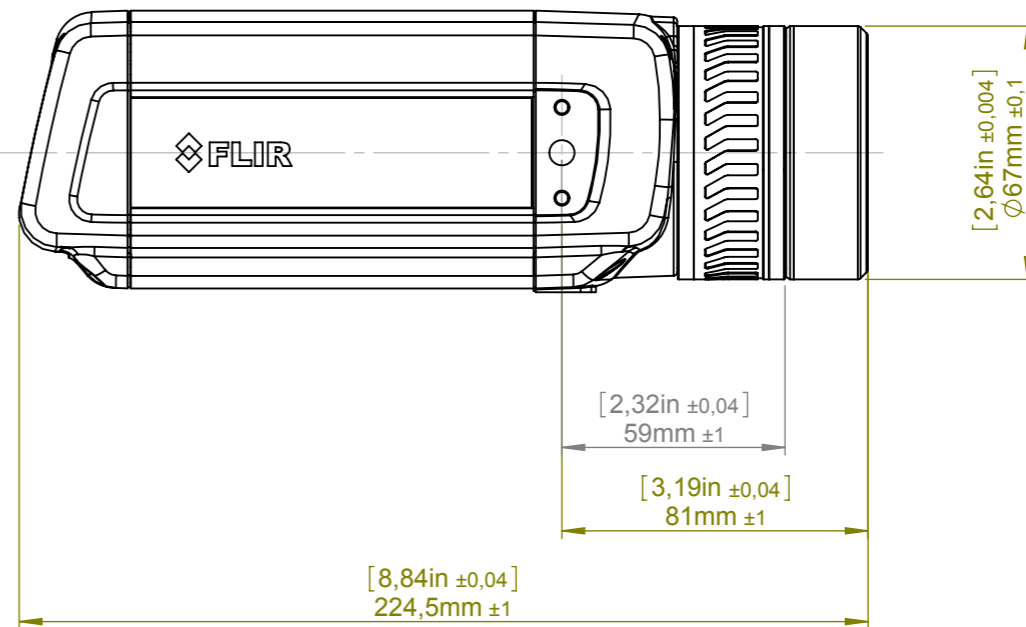
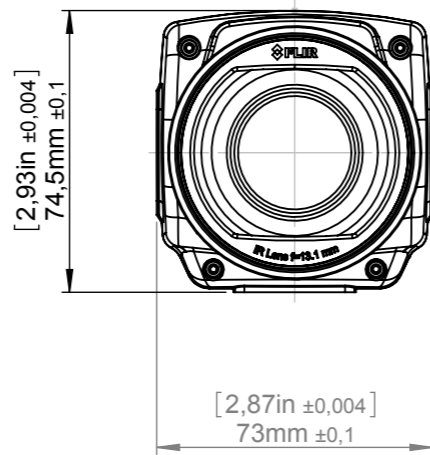
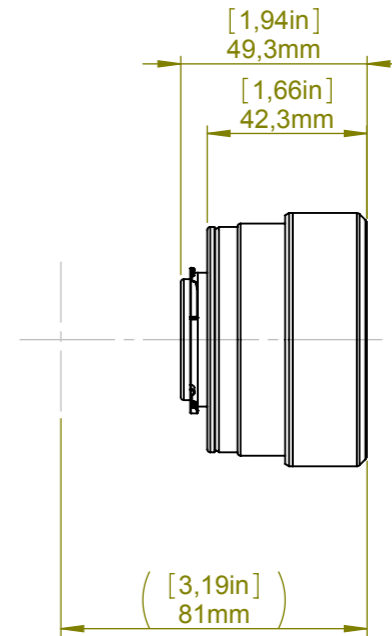
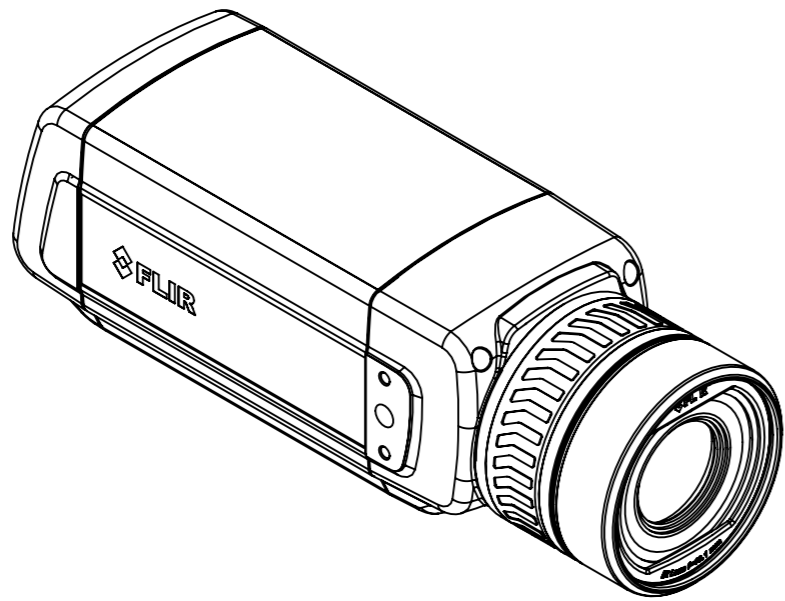


© 2012 FLIR Systems, Inc. All rights reserved worldwide. No part of this drawing may be reproduced, stored in a retrieval system, or transmitted in any form, or by any means, electronic, mechanical, photocopying, recording, or otherwise without written permission from FLIR Systems, Inc. Specifications subject to change without further notice. Dimensional data is based on nominal values. Products may be subject to regional market considerations. License procedures may apply. Product may be subject to US Export Regulations. Please refer to exportquestions@flir.com with any questions. Diversion contrary to US law is prohibited.

For additional dimensions see page 1

Modified 2012-04-19	Check CAHA	Drawn by R&D Thermography	
Denomination			
Basic dimensions FLIR T6xx			Sheet 3(9) Size <b>A</b>

# Camera with Lens IR f=13,1 mm (45°)



For additional dimensions see page 1

Modified 2012-04-18	Check CAHA	Drawn by R&D Thermography	
Denomination <b>Basic dimensions FLIR A/SC 6xx</b>			
Drawing No. <b>T126925</b>			Size <b>A</b>

© 2012 FLIR Systems, Inc. All rights reserved worldwide. No part of this drawing may be reproduced, stored in a retrieval system, or transmitted in any form, or by any means, electronic, mechanical, photocopying, recording, or otherwise without written permission from FLIR Systems, Inc. Specifications subject to change without further notice. Dimensional data is based on nominal values. Products may be subject to regional market considerations. License procedures may apply. Product may be subject to US Export Regulations. Please refer to exportquestions@flir.com with any questions. Diversion contrary to US law is prohibited.