

Forklift Truck Fuses

Mersen Forklift Truck and Battery Isolator fuses are specially designed for the heavy duty loads associated with DC battery powered equipment such as forklift trucks, hand trucks, motorized work platforms, and other DC battery operated systems. Rugged construction and stud mounted bolt-in design assure a long life in adverse conditions for these fuses. This expanded line of Forklift Truck Fuses can fulfill virtually all of your heavy duty circuit protection needs up to 125V AC or DC. The round body ACK, ACL and ALS fuses combine higher voltage ratings and more ampere ratings with higher interrupting ratings. The flat CNL and CNN style fuses have a lower voltage rating but are also AC and DC, more space saving and have visual “see-thru” indication to show when they have operated.

Features/Benefits:

- All fuses are AC and DC rated
- Expanded ampere ratings
- Time-delay and general purpose types
- Link is visible through window (CNL/CNN)

Highlights:

- AC/DC ratings
- Embossed catalog No's.
- Stud mounted
- Time-delay - ACK
- General purpose - ACL,ALS

Applications:

- Forklift trucks
- Battery hand trucks
- Motorized work platforms
- Battery systems

Recommended Fuse Blocks for Forklift Truck Fuse Fuses

| Fuse | Fuse Block |
|-------------|--------------|
| ACK(70-100) | P243C |
| ACL(70-120) | P243E |
| CNL | FTFH, FTFH-1 |
| CNN | FTFH, FTFH-1 |



Ratings:

ACK:

Volts : 125VAC / DC
Amps : 1 to 400A
IR : 10kA I.R. AC / DC

ACL

Volts : 125VAC / DC
Amps : 30 to 120A
IR : 100kA I.R. AC
 : 10kA I.R. DC

ALS

Volts : 125VAC / DC
Amps : 100 to 500A
IR : 10kA I.R. AC / DC

CNL

Volts : 80V AC / DC
Amps : 35 to 500A
IR : 2.5kA I.R. AC / DC

CNN

Volts : 130V AC
Amps : 10-800A
Volts : 75V DC
Amps : 10 to 300A
Volts : 48V DC
Amps : 301-800A
IR : 2.5kA I.R. AC / DC

Approvals:

- UL recognized components (All Products) File E60314



Forklift Truck Fuses

Catalog Numbers (amps)

ACK Fuse

| | | | |
|-------|-------|--------|--------|
| ACK1 | ACK20 | ACK70 | ACK160 |
| ACK2 | ACK25 | ACK80 | ACK175 |
| ACK3 | ACK30 | ACK90 | ACK200 |
| ACK5 | ACK35 | ACK100 | ACK225 |
| ACK6 | ACK40 | ACK120 | ACK250 |
| ACK10 | ACK50 | ACK140 | ACK300 |
| ACK15 | ACK60 | ACK150 | ACK400 |

ACL Fuse

| | |
|-------|--------|
| ACL30 | ACL70 |
| ACL35 | ACL80 |
| ACL40 | ACL90 |
| ACL50 | ACL100 |
| ACL60 | ACL120 |

ALS Fuse

| | |
|--------|--------|
| ALS100 | ALS300 |
| ALS150 | ALS350 |
| ALS175 | ALS400 |
| ALS200 | ALS450 |
| ALS225 | ALS500 |
| ALS250 | - |

CNL/CNN:

| CNN | | | CNL | | |
|--------|--------|--------|--------|--------|--------|
| CNN10 | - | CNN350 | - | CNL130 | CNL350 |
| CNN35 | CNN150 | CNN400 | CNL35 | CNL150 | CNL400 |
| CNN40 | CNN175 | CNN500 | CNL40 | CNL175 | CNL500 |
| CNN50 | CNN200 | CNN600 | CNL50 | CNL200 | CNL600 |
| CNN60 | CNN225 | CNN225 | CNL60 | CNL225 | CNL675 |
| CNN80 | CNN250 | - | CNL80 | CNL250 | - |
| CNN90 | CNN275 | CNN700 | - | CNL275 | CNL750 |
| CNN100 | CNN300 | - | CNL100 | CNL300 | - |
| CNN125 | CNN325 | CNN800 | CNL125 | CNL325 | - |

Dimensions

| Catalog No. | Outline Figure | A In. (mm) | B In. (mm) | C In. (mm) | D In. (mm) | E In. (mm) | F In. (mm) | G In. (mm) |
|-------------|----------------|---------------|---------------|---------------|---------------|---------------|---------------|---------------|
| ACK 1-30 | 1 | 3.07 (77.9) | 2.5 (63.5) | .56 (14.3) | .5 (12.7) | .28 (7.1) | .593 (15) | .03 (.8) |
| ACK 35-60 | 1 | 3.74 (95) | 3 (76.2) | .81 (20.6) | .75 (19.1) | .34 (8.7) | .86 (21.8) | .047 (1.2) |
| ACK 70-100 | 1 | 4.46 (113.4) | 3.5 (88.9) | 1.06 (26.9) | 1 (25.4) | .38 (9.5) | 1.12 (28.5) | .06 (1.6) |
| ACK 120-200 | 1 | 4.72 (119.8) | 3.75 (95.4) | 1.06 (26.9) | 1 (25.4) | .38 (9.5) | 1.12 (28.5) | .06 (1.6) |
| ACK 225-400 | 1 | 4.71 (119.7) | 3.75 (95.4) | 1.06 (26.9) | 1 (25.4) | .38 (9.5) | 1.12 (28.5) | .06 (1.6) |
| ACL 30-60 | 1 | 3.07 (77.9) | 2.5 (63.5) | .56 (14.3) | .5 (12.7) | .28 (7.1) | .593 (15) | .03 (.8) |
| ACL 70-120 | 1 | 3.49 (88.6) | 2.75 (69.9) | .81 (20.6) | .75 (19.1) | .34 (8.7) | .86 (21.8) | .047 (1.2) |
| ALS 100-500 | 1 | 4.71 (119.7) | 3.75 (95.4) | 1.06 (26.9) | 1 (25.4) | .38 (9.5) | 1.12 (28.5) | .06 (1.6) |
| CNL/CNN | 2 | 3.188 (80.9) | 2.44 (61.9) | .89 (22.6) | .75 (19.0) | .34 (8.7) | - | - |

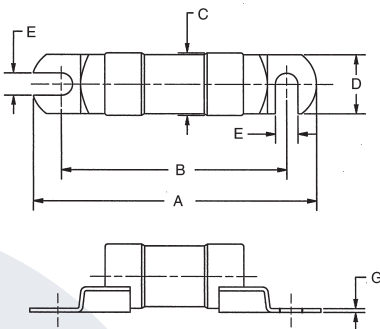


Figure 1

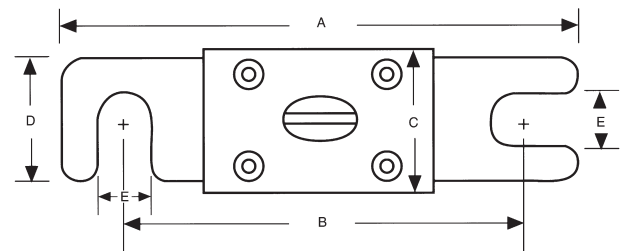


Figure 2