

# CLASS T 300 & 600 Volt Fuse Blocks

## 300 & 600V Class T Fuse Blocks

Mersen Class T fuse blocks accommodate Class T fuses up to 600A. Insulators are either durable, glass-filled polycarbonate (GFPC) or phenolic with verified dielectric strength in excess of 2500V. Mersen is the only manufacturer to offer Class T blocks with copper connectors.

### Features/Benefits:




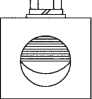

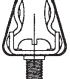

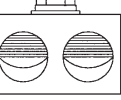


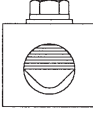
- Unique integral DIN-rail adapters for 600V, 30 & 60A blocks
- Full barrier design (30 & 60A) increases pole to pole safety
- Unique adder-block design (30 & 60A) for design flexibility
- Spring reinforcing standard for all 30 & 60A clips
- Features high conductivity copper alloy fuse clips
- Cool running high amperage (100 - 600A) connectors
- Copper connectors available 30 - 600A

### Recommended Fuse Usage:

Class T Blocks (300V) use with A3T

Class T Blocks (600V) use with A6T

### Clip & Connector Types

Spring Reinforced 30A & 60A Clips	Connectors for Spring Reinforced 30A & 60A Clips	Connectors	Connectors
300V - 30A 600V - 30A 	30A - 60A Box 	100A Box Side Clip 	400A Box 
300V - 60A 	30A - 60A Screw 	100A Box 	600A Box 
600V - 60A 	30A - 60A Pressure Plate 	200A Box 	



### Ratings:

**Volts** : 300VAC / DC

: 600VAC / DC

**Amps** : 30A, 60A, 100A, 200A,  
400A, 600A

**SCCR** : 200kA

### Approvals:

- All fuse blocks meet the requirements of UL 4248
- UL listed, guide IZLT, File E52283
- UL recognized component guide IZLT2, file E52283
- CSA certified class 6225, File 32169



# CLASS T 300 & 600 Volt Fuse Blocks

## 300 Volt, 100, 200, 400 & 600 Ampere Class T Fuse Blocks

Ampere Rating	Poles	Connector		Catalog No.	Fig.	Connector Torque In - lb	
		Type	Wire Range			Connector	Fuse Bolt
100 Phenolic Insulator	1	Box	Cu*	31001T	1	50	72
	2		2/0-#12	31002T	2		
	3			31003T	3		
200 Phenolic Insulator	1	Box	Al/Cu	32031T	4	275	132
	3		350 kcmil-#6	32033T	5		
	1		Box	Cu*	32051T		
3	350 kcmil-#6	32053T		5			
400 Phenolic Insulator	1	Box	Al/Cu	34031T	6	600	228
	3		600 kcmil-#2	34033T	7		
	1		Box	Cu*	34051T		
3	600 kcmil-#2	34053T		7			
600 Phenolic Insulator	1	Box	Al/Cu	36031T	8	600	360
	1		Cu*	36051T	8		

† Note: Height includes nominal fuse blade thickness

Recommended base mounting screws:  
100A & 200A, #10 (.190" dia.)  
400A & 600A, 1/4" (.250" dia.)

Note: \* Fuse blocks have copper box connectors and are for copper wires only. These are specifically designed with the same coefficient of expansion as copper wire for improved heat cycling and meet or exceed OEM "no aluminum" specifications.

### Dimensions

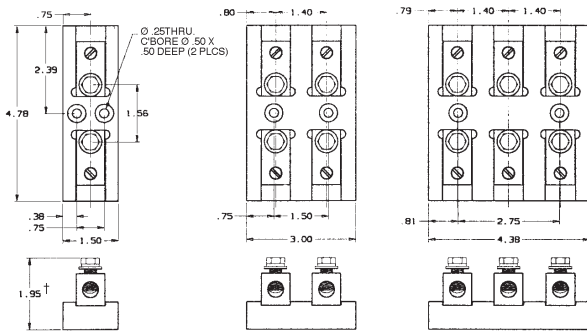


Figure 1

Figure 2

Figure 3

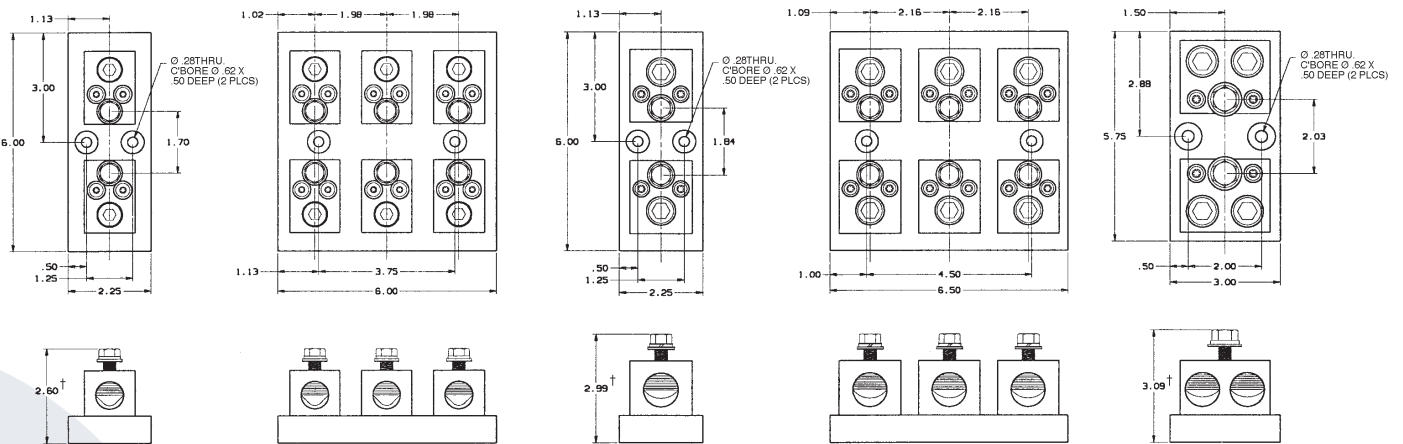


Figure 4

Figure 5

Figure 6

Figure 7

Figure 8