

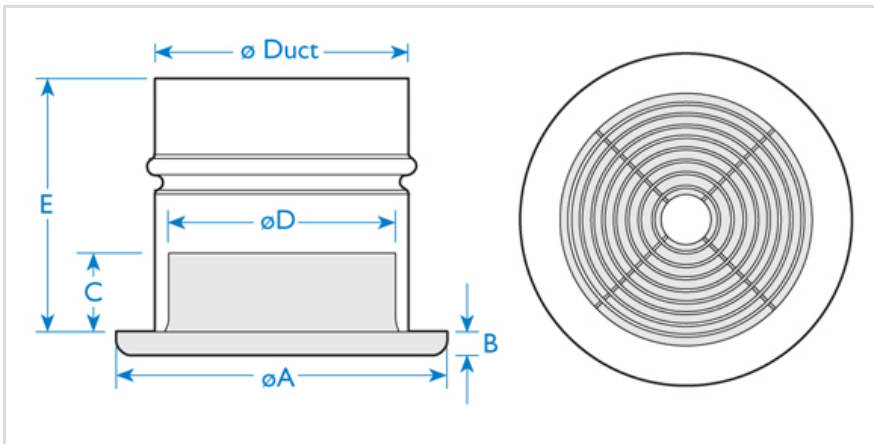


### Supply & Exhaust Grilles



#### DG Series

Fantech's Designer Grille. A low profile, fixed circular plastic exhaust grille. Included with the grille is a matching diameter galvanized mounting collar with nailing strip.



#### DG Series Dimensions

Model	UPC #	$\phi$ Duct*	$\phi$ A	B	C	$\phi$ D	E
DG 4	67940	4	4 7/8	3/8	1 7/8	3 5/8	3 3/4

*Dimensional information is in inches.*

*\* Duct connections are 1/8" smaller than duct size.*