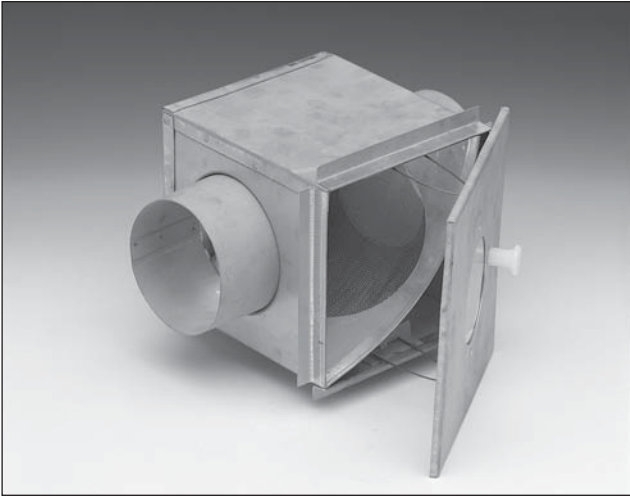




Fantech

Your Ventilation Solutions Company

Installation Instructions for Model DBLT4 Secondary Dryer Lint Trap



READ AND SAVE THESE INSTRUCTIONS

INSTALLATION:

The DBLT4 is a Secondary Dryer Lint Trap used when installing a Fantech Dryer Booster Fan less than the recommended distance of 15 feet from the back of the dryer.

- The Lint Trap must be installed so it is easily accessible to the dryer user.
- It is recommended that the dryer user inspect for lint accumulation prior to operation of the dryer.

REMOVE LINT AS REQUIRED TO KEEP THE SCREEN CLEAN

NOTE: Normally the DBLT4 is installed in the dryer duct just above the dryer.

