



## SPECIFICATION SHEET : WH2-120-C

This Is An Original Product From Fulham Co., Inc

**Description : WorkHorse Series Versatile, Solid State Electronic Ballast. Small Case Size, High Power Factor, Light Weight, Available In 120/230/277V 50/60 Hz.**

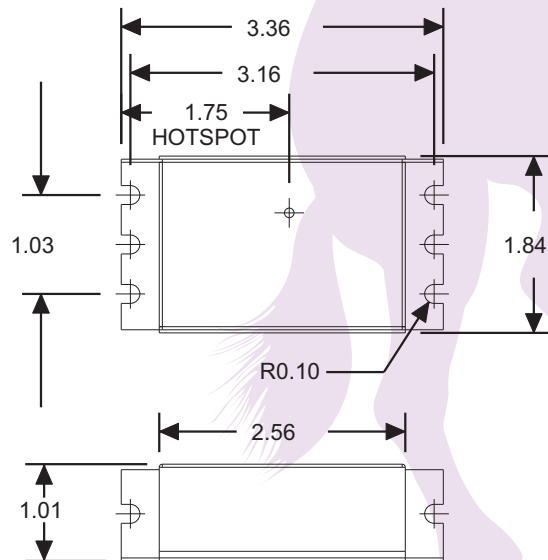
**This Ballast Will Operate Following Lamps.**

**REFER TO LAMP WATTS/TYPE**

### ELECTRICAL DATA

INPUT VOLT: 120V ± 10% , 50/60Hz					
LAMP WATTS/TYPE	LAMPS OPERATED	INPUT WATTS	LINE CURRENT	BALLAST FACTOR	EFFICACY FACTOR
* F15T8	1	17	0.15	1.0	6.1
* F17T8	1	21	0.28	1.2	5.8
* F25T8	1	29	0.25	1.2	4.2
* FCR22WT9	1	19	0.17	0.8	4.5
* F32T8	1	38	0.33	1.2	3.2
POWER FACTOR			> 0.9		
THD			< 38.7 %		
EMI/RFI COMPLIANCE			FCC PART 18-A		
SOUND RATING			" A "		
BALLAST TYPE			INSTANT START		
VOLTAGE TRANSIENTS			ANSI C82.11 - 1993		
INPUT/PROTECTION			FUSE		
MIN. OPERATING TEMP			- 30 °C ( - 20 °F )		
MAX. CASE TEMP			70 °C ( 158 °F )		
APPROVALS/CLASS			UL LISTED, CLASS " P ", 1 OR 2 OUTDOOR		

#### MECHANICAL DATA



Where : L = Length, W = Width, H = Height

#### WIRING DIAGRAMS

WIRE	BLACK	WHITE	RED	BLUE	YELLOW	BROWN
LENGTH - INCHES	12 ± 1"	12 ± 1"	36 ± 1"	-	36 ± 1"	-

FOR WIRING DIAGRAM,  
PLEASE REFER TO FULHAM'S CATALOG

NOTE : This Ballast Must Be Grounded

Fulham extends a limited warranty only to the original purchaser or to the first user for a period of 5 years from the date of manufacture when properly installed and operated under normal conditions of use. For complete terms and conditions, please reference the Fulham product catalog ([www.fulham.com](http://www.fulham.com))  
**Due to a program of continuous improvement, Fulham reserves the right to make modifications or variations in design or construction to the equipment described.**



## SPECIFICATION SHEET : WH2-120-C

This Is An Original Product From Fulham Co., Inc

**Description : WorkHorse Series Versatile, Solid State Electronic Ballast. Small Case Size, High Power Factor, Light Weight, Available In 120/230/277V 50/60 Hz.**

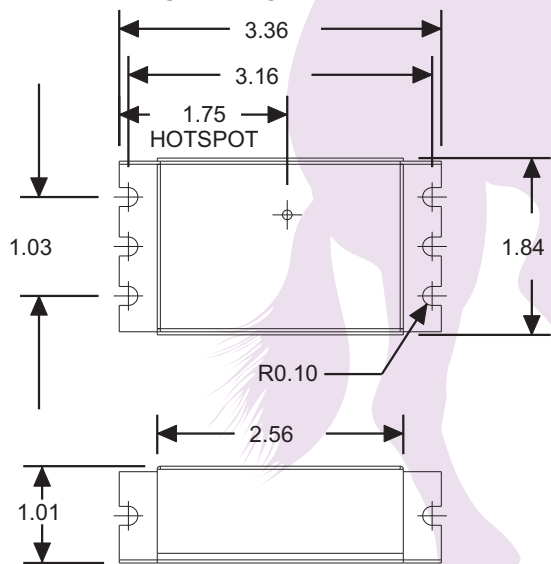
**This Ballast Will Operate Following Lamps.**

**REFER TO LAMP WATTS/TYPE**

### ELECTRICAL DATA

INPUT VOLT: 120V ± 10%, 50/60Hz					
LAMP WATTS/TYPE	LAMPS OPERATED	INPUT WATTS	LINE CURRENT	BALLAST FACTOR	EFFICACY FACTOR
13CFQ/E	2	26	0.23	0.9	3.3
13CFQ/E	1	16	0.15	1.0	6.4
F35T5	1	32	0.28	0.8	2.5
CFT9W	2	17	0.15	0.9	5.1
CFT9W	1	19	0.17	1.0	5.4
CFT13W	1	15	0.14	1.0	6.7
CFT18W	1	17	0.15	0.9	5.4
F13T5	2	27	0.24	0.9	3.3
POWER FACTOR	> 0.9				
THD	< 38.7 %				
EMI/RFI COMPLIANCE	FCC PART 18-A				
SOUND RATING	" A "				
BALLAST TYPE	INSTANT START				
VOLTAGE TRANSIENTS	ANSI C82.11 - 1993				
INPUT/PROTECTION	FUSE				
MIN. OPERATING TEMP	- 30 °C ( - 20 °F )				
MAX. CASE TEMP	70 °C ( 158 °F )				
APPROVALS/CLASS	UL LISTED, CLASS " P ", 1 OR 2 OUTDOOR				

#### MECHANICAL DATA



Where : L = Length, W = Width, H = Height

#### WIRING DIAGRAMS

WIRE	BLACK	WHITE	RED	BLUE	YELLOW	BROWN
LENGTH - INCHES	12 ± 1"	12 ± 1"	36 ± 1"	-	36 ± 1"	-

FOR WIRING DIAGRAM,  
PLEASE REFER TO FULHAM'S CATALOG

NOTE : This Ballast Must Be Grounded

Fulham extends a limited warranty only to the original purchaser or to the first user for a period of 5 years from the date of manufacture when properly installed and operated under normal conditions of use. For complete terms and conditions, please reference the Fulham product catalog ([www.fulham.com](http://www.fulham.com))  
**Due to a program of continuous improvement, Fulham reserves the right to make modifications or variations in design or construction to the equipment described.**



## SPECIFICATION SHEET : WH2-120-C

This Is An Original Product From Fulham Co., Inc

**Description : WorkHorse Series Versatile, Solid State Electronic Ballast. Small Case Size, High Power Factor, Light Weight, Available In 120/230/277V 50/60 Hz.**

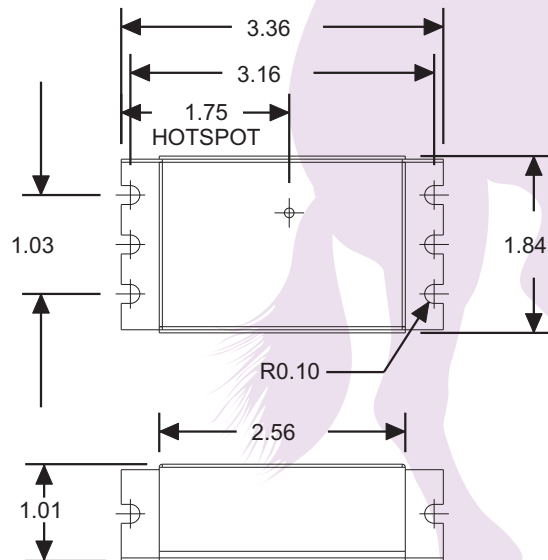
**This Ballast Will Operate Following Lamps.**

**REFER TO LAMP WATTS/TYPE**

### ELECTRICAL DATA

INPUT VOLT: 120V ± 10%, 50/60Hz					
LAMP WATTS/TYPE	LAMPS OPERATED	INPUT WATTS	LINE CURRENT	BALLAST FACTOR	EFFICACY FACTOR
CFQ18W	1	17	0.15	0.8	4.9
CFQ18W	2	25	0.22	0.6	2.5
CFQ26W	1	20	0.18	0.5	2.5
CFTR18W	1	18	0.16	1.0	5.3
CFTR26W	1	26	0.23	0.9	3.5
CFTR32W	1	31	0.27	0.8	2.7
F42T6	1	27	0.24	0.9	3.5
F21T5	2	37	0.33	0.8	2.1
POWER FACTOR	> 0.9				
THD	< 38.7 %				
EMI/RFI COMPLIANCE	FCC PART 18-A				
SOUND RATING	" A "				
BALLAST TYPE	INSTANT START				
VOLTAGE TRANSIENTS	ANSI C82.11 - 1993				
INPUT/PROTECTION	FUSE				
MIN. OPERATING TEMP	- 30 °C ( - 20 °F )				
MAX. CASE TEMP	70 °C ( 158 °F )				
APPROVALS/CLASS	UL LISTED, CLASS " P ", 1 OR 2 OUTDOOR				

### MECHANICAL DATA



Where : L = Length, W = Width, H = Height

### WIRING DIAGRAMS

WIRE	BLACK	WHITE	RED	BLUE	YELLOW	BROWN
LENGTH - INCHES	12 ± 1"	12 ± 1"	36 ± 1"	-	36 ± 1"	-

FOR WIRING DIAGRAM,  
PLEASE REFER TO FULHAM'S CATALOG

NOTE : This Ballast Must Be Grounded

Fulham extends a limited warranty only to the original purchaser or to the first user for a period of 5 years from the date of manufacture when properly installed and operated under normal conditions of use. For complete terms and conditions, please reference the Fulham product catalog ([www.fulham.com](http://www.fulham.com))  
**Due to a program of continuous improvement, Fulham reserves the right to make modifications or variations in design or construction to the equipment described.**



## SPECIFICATION SHEET : WH2-120-C

This Is An Original Product From Fulham Co., Inc

**Description : WorkHorse Series Versatile, Solid State Electronic Ballast. Small Case Size, High Power Factor, Light Weight, Available In 120/230/277V 50/60 Hz.**

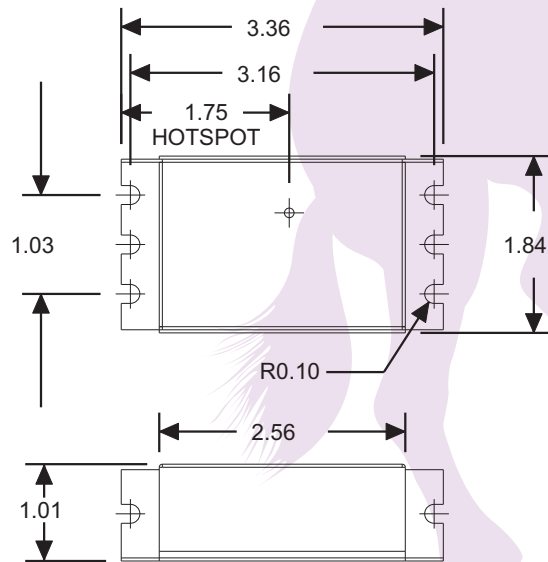
**This Ballast Will Operate Following Lamps.**

**REFER TO LAMP WATTS/TYPE**

### ELECTRICAL DATA

INPUT VOLT: 120V ± 10%, 50/60Hz					
LAMP WATTS/TYPE	LAMPS OPERATED	INPUT WATTS	LINE CURRENT	BALLAST FACTOR	EFFICACY FACTOR
F14T5	1	17	0.15	1.1	6.3
F8T5	1	11	0.10	1.1	10.5
F13T5	1	17	0.15	1.0	5.8
F21T5	1	23	0.20	1.0	4.1
F28T5	1	30	0.26	0.9	3.1
F14T5	2	25	0.22	0.8	3.1
2D10W	2	22	0.19	1.0	4.4
F14T5	2	27	0.24	0.9	3.2
POWER FACTOR	> 0.9				
THD	< 38.7 %				
EMI/RFI COMPLIANCE	FCC PART 18-A				
SOUND RATING	" A "				
BALLAST TYPE	INSTANT START				
VOLTAGE TRANSIENTS	ANSI C82.11 - 1993				
INPUT/PROTECTION	FUSE				
MIN. OPERATING TEMP	- 30 °C ( - 20 °F )				
MAX. CASE TEMP	70 °C ( 158 °F )				
APPROVALS/CLASS	UL LISTED, CLASS " P ", 1 OR 2 OUTDOOR				

### MECHANICAL DATA



Where : L = Length, W = Width, H = Height

### WIRING DIAGRAMS

WIRE	BLACK	WHITE	RED	BLUE	YELLOW	BROWN
LENGTH - INCHES	12 ± 1"	12 ± 1"	36 ± 1"	-	36 ± 1"	-

FOR WIRING DIAGRAM,  
PLEASE REFER TO FULHAM'S CATALOG

NOTE : This Ballast Must Be Grounded

Fulham extends a limited warranty only to the original purchaser or to the first user for a period of 5 years from the date of manufacture when properly installed and operated under normal conditions of use. For complete terms and conditions, please reference the Fulham product catalog ([www.fulham.com](http://www.fulham.com))  
**Due to a program of continuous improvement, Fulham reserves the right to make modifications or variations in design or construction to the equipment described.**