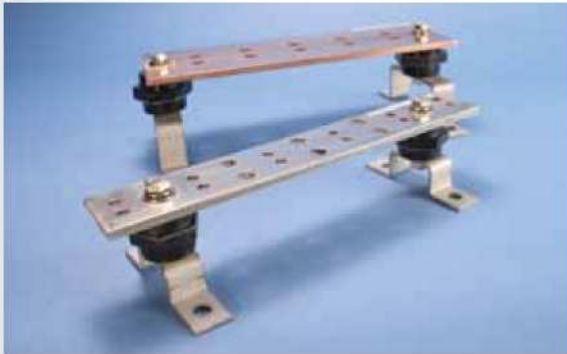


TGB Telecom Ground Bars with Insulators & Brackets



Part No.	Thickness (in)	Width (in)	Length (in)	Plating
TGBA12L06P	1/4	2	12	
TGBA12L06PT	1/4	2	12	Tin
TGBA16L08P	1/4	2	15.5	
TGBA16L08PT	1/4	2	15.5	Tin
TGBA18L10P	1/4	2	17.75	
TGBA18L10PT	1/4	2	17.75	Tin
TGBA20L12P	1/4	2	20	
TGBA20L12PT	1/4	2	20	Tin
TGBA24L14P	1/4	2	24	
TGBA24L14PT	1/4	2	24	Tin
TGBA29L18P	1/4	2	29	
TGBA29L18PT	1/4	2	29	Tin

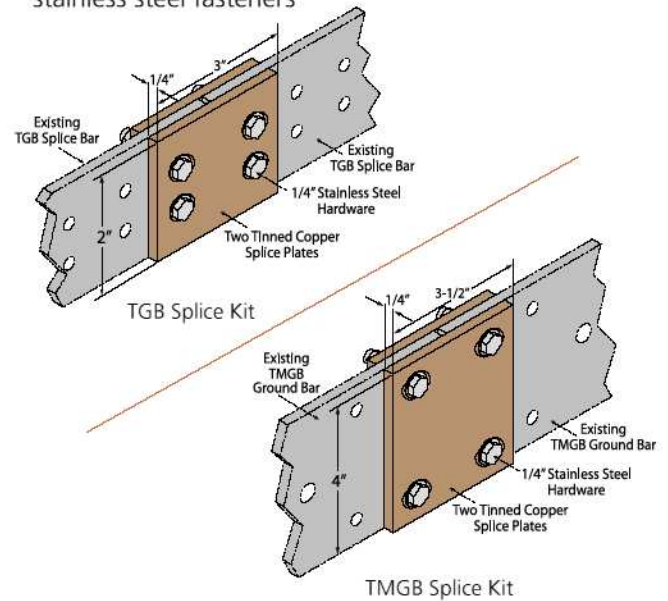
TMGB Telecom Main Ground Bars with Insulators & Brackets



Part No.	Thickness (in)	Width (in)	Length (in)	Plating
TMGBA12L15P	1/4	4	12	
TMGBA12L15PT	1/4	4	12	Tin
TMGBA16L19P	1/4	4	15.5	
TMGBA16L19PT	1/4	4	15.5	Tin
TMGBA18L23P	1/4	4	17.75	
TMGBA18L23PT	1/4	4	17.75	Tin
TMGBA20L27P	1/4	4	20	
TMGBA20L27PT	1/4	4	20	Tin
TMGBA24L33P	1/4	4	24	
TMGBA24L33PT	1/4	4	24	Tin
TMGBA29L41P	1/4	4	29	
TMGBA29L41PT	1/4	4	29	Tin

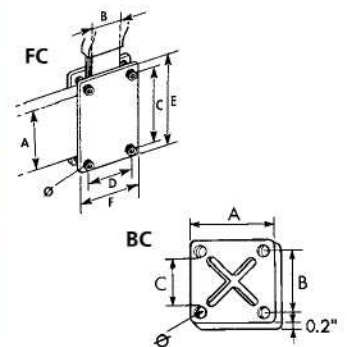
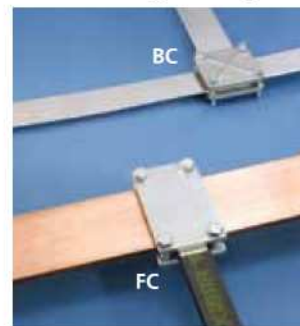
TGB & TMGB Telecom Ground Bar Splice Kits

- Includes 2 tinned copper splice plates and stainless steel fasteners



Part No.	Width (in)	Length (in)	Material
TGBSPICEKIT	1/4	2	Tinned Copper
TMGBSPICEKIT	1/4	4	Tinned Copper

Connecting Clamps



ERIFLEX® FLEXIBAR Clamp

Part No.	Description	A (in)	B (mm)	C (in)	D (in)	E (in)	F (in)	Diam (mm)	Torque (ft/lbs)
553020	FC 50 x 24	2	20-24	2.32	1.42	2.95	2.05	M8	0.7
553030	FC 50 x 32	2	32	2.32	1.73	2.95	2.36	M8	0.8
553040	FC 50 x 40	2	40	2.32	2.05	2.95	2.68	M8	0.91
553050	FC 80 x 24	3.18	20-24	3.5	1.42	4.13	2.05	M8	0.95
553060	FC 80 x 32	3.18	32	3.5	1.73	4.13	2.36	M8	1.08
553070	FC 80 x 50	3.18	50	3.5	2.44	4.13	3.07	M8	1.41
568700	FC 100 x 32	3.97	32	4.29	1.73	4.92	2.36	M8	1.47
568730	FC 120 x 32	4.4	32	5.08	1.73	4.92	2.36	M8	1.67

Ribbed-Steel Busbar Clamp

Part No.	Description	A (in)	B (in)	C (in)	Ø (mm)	Torque (ft/lbs)
553200	BC 30	2.2	1.65	1.37	M6	5.16
553210	BC 40	2.6	2.05	1.77	M6	5.16
553220	BC 50	3.26	2.52	2.16	M8	14.75
553230	BC 63	3.66	2.91	2.55	M8	14.75
553250	BC 80	4.64	3.78	3.34	M10	29.5
553260	BC 100	5.67	4.64	4.21	M10	29.5