



CADDY® Clamps - Stainless Steel Range

ERICO offers the CADDY C-Clamp and the System 5000 for stainless steel applications.

Features

C-Clamp

- For beam flanges up to 45 mm thickness
- The clamp is serrated for increased security
- Used in combination with CR clamps for conduits and cables
- Used in combination with SM nuts for threaded rods
- Can be used in combination with SPP (Special Paint Protection) washer when securing onto protected surfaces
- Can be used in combination with HSC Snap Clips
- Hot dipped galvanised or stainless steel



Clamping System 5000

- Slotted profiles
- For beam flange up to 35 mm thickness
- Hot dipped galvanised or stainless steel
- Available complete or as separate components

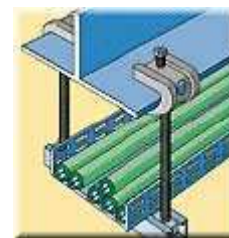
Applications

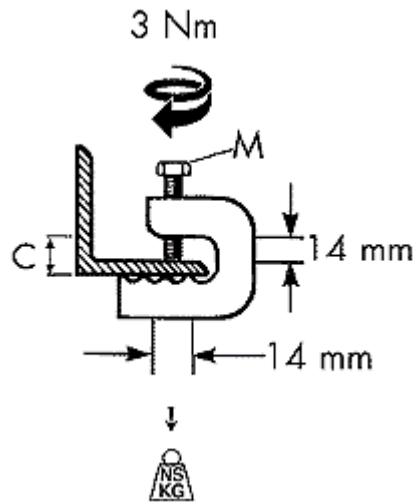
C-Clamp - For suspension or direct attachment and installation of services, conduits, cables, threaded rods, chains, etc.

System 5000 - For attaching or suspending semi-heavy services such as cable trays, ventilation ductwork, trunking, pipes, etc., with maximum security onto steel beams.

More Information

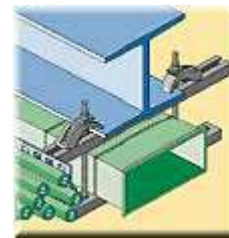
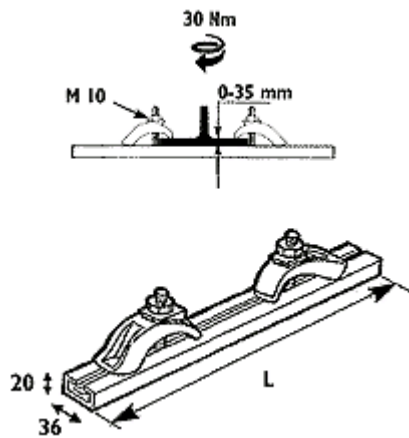
C-Clamp System





Description	Part No.	C mm	M mm	Protection	Pack	Load
C20	336100	20	6 x 25	3	100	110
C30	336110	30	8 x 30	3	100	110
C45	336120	45	8 x 30	3	50	110
C20-2	336130	20	6 x 25	2	100	110
C30-2	336140	30	8 x 30	2	100	110
C45-2	336150	45	8 x 30	2	50	110

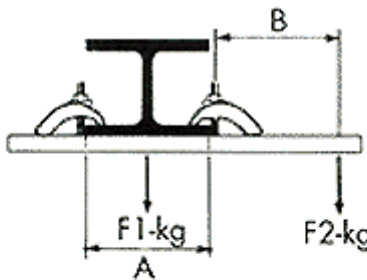
System 5000



Description	Part No.	L mm	Protection	Pack
5130	335000	300	3	1
5140	335010	400	3	1

5150	335020	500	3	1
5160	335030	600	3	1
5170	335040	800	3	1
5130-2	335050	300	2	1
5140-2	335060	400	2	1
5150-2	335070	500	2	1
5160-2	335080	600	2	1
5170-2	335090	800	2	1

Load Rating



A mm	F1 kg	B mm	F2 kg
100	350	100	170
200	175	200	80
300	110	300	50
400	80	400	40
500	70	500	35
600	50	600	25

WARNING

ERICO products shall be installed and used only as indicated in ERICO's product instruction sheets and training materials. Instruction sheets are available at www.erico.com and from your ERICO customer service representative. Improper installation, misuse, misapplication or other failure to completely follow ERICO's instructions and warnings may cause product malfunction, property damage, serious bodily injury and death.

WARRANTY

ERICO products are warranted to be free from defects in material and workmanship at the time of shipment. NO OTHER WARRANTY, WHETHER EXPRESS OR IMPLIED (INCLUDING ANY WARRANTY OF MERCHANTABILITY OR FITNESS FOR A PARTICULAR PURPOSE), SHALL EXIST IN CONNECTION WITH THE SALE OR USE OF ANY ERICO PRODUCTS. Claims for errors, shortages, defects or nonconformities ascertainable upon inspection must be made in writing within 5 days after Buyer's receipt of products. All other claims must be made in writing to ERICO within 6 months from the date of shipment or transport. Products claimed to be nonconforming or defective must, upon ERICO's prior written approval in accordance with its standard terms and procedures governing returns, promptly be returned to ERICO for inspection. Claims not made as provided above and within the applicable time period will be barred. ERICO shall in no event be responsible if the products have not been stored or used in accordance with its specifications and recommended procedures. ERICO will, at its option, either repair or replace nonconforming or defective products for which it is responsible or return the purchase price to the Buyer. THE FOREGOING STATES BUYER'S EXCLUSIVE REMEDY FOR ANY BREACH OF ERICO WARRANTY AND FOR ANY CLAIM, WHETHER SOUNDING IN CONTRACT, TORT OR NEGLIGENCE, FOR LOSS OR INJURY CAUSED BY THE SALE OR USE OF ANY PRODUCT.

LIMITATION OF LIABILITY

ERICO excludes all liability except such liability that is directly attributable to the willful or gross negligence of ERICO's employees. Should ERICO be held liable its liability shall in no event exceed the total purchase price under the contract. ERICO SHALL IN NO EVENT BE RESPONSIBLE FOR ANY LOSS OF BUSINESS OR PROFITS, DOWNTIME OR DELAY, LABOR, REPAIR OR MATERIAL COSTS OR ANY SIMILAR OR DISSIMILAR CONSEQUENTIAL LOSS OR DAMAGE INCURRED BY BUYER.

Due to a policy of continued product development, specifications are subject to change without notice.

Copyright © 2013 ERICO International Corporation.
 CADDY, CADWELD, CRITEC, ERICO, ERIFLEX, ERITECH, and LENTON are registered trademarks of ERICO International Corporation.

