

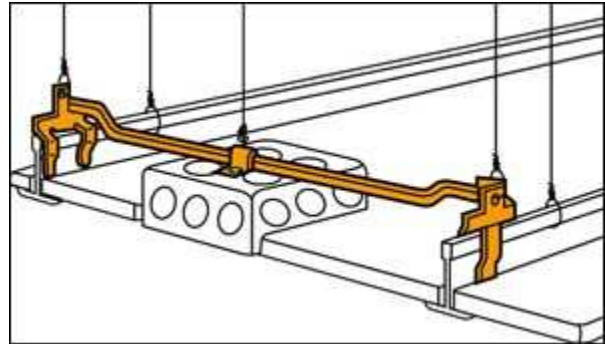


Snap On Fixture/Box Hanger

ERICO offers the Snap On Fixture/Box Hanger.

Features

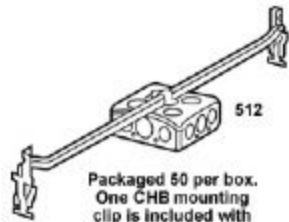
- Snaps easily onto tee bar
- Hanger comes complete with box mounting clip and 1/4"-20 screw
- Supports from acoustical tee bar as well as main structure with the use of a drop wire
- Dual height feature permits 1-1/2" deep electrical box to be mounted flush with tile or off-set 3/4" for plaster ring
- 512A is height adjustable up to 8" allowing you to install double deep boxes, speaker cases and emergency light fixtures above acoustical tee
- Not permitted for paddle fans



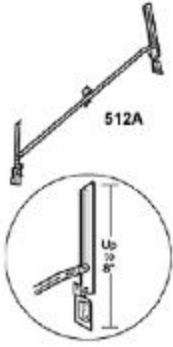
Applications

Used for installing double deep boxes, speaker cases and emergency light fixtures above acoustical tee.

More Information



Packaged 50 per box.
One CHB mounting
clip is included with
each No. 512.



CHB can be purchased
separately when more than
one box is required.
Screw furnished.

Catalog Number	Description	Std Box Qty
S3575BP50	1/4"-20 x 3/8" round head screw	50
S102438BP*	10-24 1/2" Rnd Hd Robertson screw	50
512	Electrical box hanger - 24" span	50
512TC*	Electrical box hanger - 24" span	50
51212	Electrical box hanger - 12" span	50
51220	Electrical box hanger - 20" span	50
51230	Electrical box hanger - 30" span	50
CHB	Box mounting clip	100
CHBTC*	Box mounting clip	100
512A	8" height adjustable - 24" span	50
512ATC*	8" height adjustable - 24" span	50

Not to exceed 20 lbs. without independent wire support to CHB

**For Canadian boxes*

WARNING

ERICO products shall be installed and used only as indicated in ERICO's product instruction sheets and training materials. Instruction sheets are available at www.erico.com and from your ERICO customer service representative. Improper installation, misuse, misapplication or other failure to completely follow ERICO's instructions and warnings may cause product malfunction, property damage, serious bodily injury and death.

WARRANTY

ERICO products are warranted to be free from defects in material and workmanship at the time of shipment. NO OTHER WARRANTY, WHETHER EXPRESS OR IMPLIED (INCLUDING ANY WARRANTY OF MERCHANTABILITY OR FITNESS FOR A PARTICULAR PURPOSE), SHALL EXIST IN CONNECTION WITH THE SALE OR USE OF ANY ERICO PRODUCTS. Claims for errors, shortages, defects or nonconformities ascertainable upon inspection must be made in writing within 5 days after Buyer's receipt of products. All other claims must be made in

writing to ERICO within 6 months from the date of shipment or transport. Products claimed to be nonconforming or defective must, upon ERICO's prior written approval in accordance with its standard terms and procedures governing returns, promptly be returned to ERICO for inspection. Claims not made as provided above and within the applicable time period will be barred. ERICO shall in no event be responsible if the products have not been stored or used in accordance with its specifications and recommended procedures. ERICO will, at its option, either repair or replace nonconforming or defective products for which it is responsible or return the purchase price to the Buyer. THE FOREGOING STATES BUYER'S EXCLUSIVE REMEDY FOR ANY BREACH OF ERICO WARRANTY AND FOR ANY CLAIM, WHETHER SOUNDING IN CONTRACT, TORT OR NEGLIGENCE, FOR LOSS OR INJURY CAUSED BY THE SALE OR USE OF ANY PRODUCT.

LIMITATION OF LIABILITY

ERICO excludes all liability except such liability that is directly attributable to the willful or gross negligence of ERICO's employees. Should ERICO be held liable its liability shall in no event exceed the total purchase price under the contract. ERICO SHALL IN NO EVENT BE RESPONSIBLE FOR ANY LOSS OF BUSINESS OR PROFITS, DOWNTIME OR DELAY, LABOR, REPAIR OR MATERIAL COSTS OR ANY SIMILAR OR DISSIMILAR CONSEQUENTIAL LOSS OR DAMAGE INCURRED BY BUYER.

Due to a policy of continued product development, specifications are subject to change without notice.

Copyright © 2013 ERICO International Corporation.

CADDY, CADWELD, CRITEC, ERICO, ERIFLEX, ERITECH, and LENTON are registered trademarks of ERICO International Corporation.

