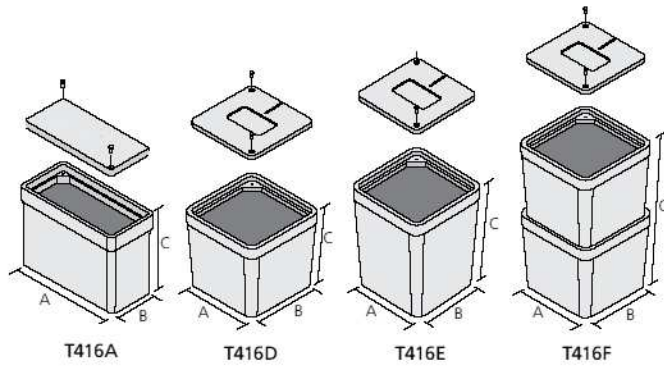


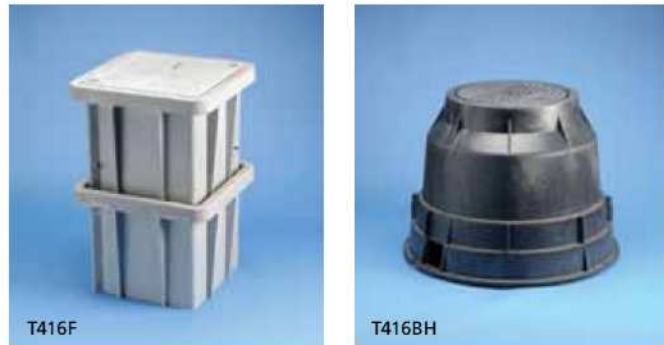
Grounding Accessories

Light Weight Polymer Concrete Inspection Wells



Part No.	A (in)	B (in)	C (in)	Cover Weight (lbs)	Weight of Box Base with Inserts (lbs)
T416A	21.5	14	18	35	36
T416D	12.875	12.875	12	11	15
T416E	12	12	18	11	17
T416F	12.875	12.875	23	11	30

Product specifications subject to change without notice.



High Density Polyethylene Inspection Wells (HDPE)



Part No.	Diameter at grade level (in)	Outside Diameter (in)	Depth (in)	Cover Weight (lbs)	Weight of Box Base with Inserts (lbs)
T416B	9.125	13	10.25	1.5	3
Stainless steel lock bolt (3/8" - 16 x 1-3/4"); boxes and covers nest in 3.25" increments; 2 knockouts per box (3.5" x 1.5"); color: green					
T416BH	9.125	13	10.25	1.5	3
Includes 4 additional 1/2" bolts on cover. Stainless steel lock bolt (3/8" - 16 x 1-3/4"); boxes and covers nest in 3.25" increments; 2 knockouts per box (3.5" x 1.5"); color: green					
T416C	11	24.5	18.25	4.2	13.4
Pipe slot (2 places); color: black T416CKEY: Key for T416C Inspection Well					



Plastic Inspection Wells



Part No.	Dimensions (in) length x width x depth	Weight of Box Base with Inserts (lbs)
PIT03	9.84 x 7.87 x 8.46	3
Includes locking pin and key		
PIT05	9.76 x 9.76 x 8.27	5
UV-stabilized against degradation by sunlight; non-brittle to prevent cold weather damage		
WGRS200	-	9.5
Double flange earth seal with PIT05		
IP900C	12.8 x 12.8 x 5.71	60
Concrete Inspection Pit		

