

# LD4IC-AT-DIMELV

Catalog Number	LD4IC- - -	
Project Name		Type

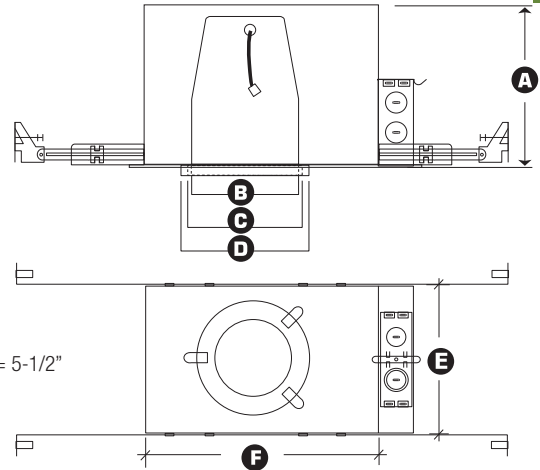
4" New Construction IC Housing for use with RL400 LED series Module LED lighting components



**458**  
LUMENS



TO BE USED WITH RL400 SERIES MODULE LED LIGHTING COMPONENT



- A** Height = 7-1/4"
- B** Trim Aperture = 4"
- C** Cut-out = 4-1/2"
- D** Trim Outside Diameter = 5-1/2"
- E** Width = 8"
- F** Length = 12-1/2"

**DESCRIPTION** - 4" IC housing for use with RL400 LED series Module LED trims. Designed for new construction installations and suitable for use in insulation covered or non-insulation covered ceilings. The LD4IC-AT-DIMELV housing is engineered with a unique 'EZ-connect' wiring system, that when used with the RL400 trim, with Energy Star and California Title-24 (compliances pending). The unique EZ-connect system also meets other state and national regulatory mandates. Module LED connects effortlessly to housing, virtually eliminating mis-wiring and potential shock hazards.

**NOTE** - Complete system includes LD4IC-AT-DIMELV housing and Module LEDs RL400 series trim. RL400 Module LEDs trim must be ordered separately.

## SPECIFICATION

**OUTER HOUSING** - Die-formed aluminum and galvanized steel for maximum heat dissipation and rust protection.

**INNER HOUSING** - High-temperature painted 22-gauge deep drawn single piece housing. Housing adjusts vertically in plaster frame to accommodate 1/2" to 1-3/8" thick ceiling. Housing is IC rated for direct contact with insulation and can be used in IC and NON-IC applications. May be installed in 2" x 8" joist construction.

**BAR HANGERS** - Preinstalled bar hangers allow housing to be positioned and locked at any point within a 24" joist span. They can be positioned on either the long or short axis of the housing and can be shortened for 12" joists. They contain a double-headed real nail for secure attachment into the joist. Bar hanger nails are installed on a 20° downward angle for better contact, and the 90° pivoting mounting plate makes installation fast and accurate. Bar hangers can fit onto T-Bar spline with additional slots and holes for special mounting methods if necessary.

<b>LD4IC</b>	-	-	-
--------------	---	---	---

Example: LD4IC-AT-DIMELV-120

HOUSING TYPE	APPLICATION
LD4IC-AT-DIMELV-120	<input type="checkbox"/> Used For 120V Electronic Low Voltage Dimming Module
LD4IC-AT-277	<input type="checkbox"/> Step down transformer is used to reduce voltage from 277V to 120V Module becomes NON-Dimming.

TRIM TYPE	458 LUMENS	COLOR	FINISH
RL430 (BAFFLE)	<input type="checkbox"/> 10W-DIMELV-120	<input type="checkbox"/> 27K <input type="checkbox"/> 30K <input type="checkbox"/> 35K	<input type="checkbox"/> W-WH <input type="checkbox"/> P-WH <input type="checkbox"/> SN-SN
RL411 (WALL WASH BAFFLE)	<input type="checkbox"/> 10W-DIMELV-120	<input type="checkbox"/> 40K <input type="checkbox"/> 50K	<input type="checkbox"/> CP-CP <input type="checkbox"/> BZ-BZ <input type="checkbox"/> P-BK
TRIM TYPE	480 LUMENS	COLOR	FINISH
RL407 (REFLECTOR)	<input type="checkbox"/> 10W-DIMELV-120	<input type="checkbox"/> 27K <input type="checkbox"/> 30K <input type="checkbox"/> 35K	<input type="checkbox"/> CL-WH <input type="checkbox"/> CP-WH <input type="checkbox"/> W-WH <input type="checkbox"/> MB-WH
RL422 (WALL WASH REFLECTOR)	<input type="checkbox"/> 10W-DIMELV-120	<input type="checkbox"/> 40K <input type="checkbox"/> 50K	<input type="checkbox"/> BZ-BZ <input type="checkbox"/> RG-WH <input type="checkbox"/> SN-SN <input type="checkbox"/> RG-PB

**JUNCTION BOX** - UL Listed for through-branch circuit wiring, provided with four 1/2" knockouts, one 3/4" knockout and four Romex knockouts with true pry-out slots and strain clamps. Designed for straight through conduit runs.

**THERMAL PROTECTION** - Standard thermal protection device guards against improper installation and misuse of insulation material.

**CONNECTION** - Polarity-specific EZ-connect system engineered to match with Elite Module LED trims. \*Meets strict code requirements where Edison Base Sockets have been banned.

**ELITE MODULE LED SOLD SEPARATELY** - Module LEDs unique 'EZ-connect' wiring system is Title 24-2008 compliant when used with the LD4IC-AT housing. The unique EZ-connect system also meets other state and national regulatory mandates. System is a UL Listed disconnect system that preserves the integrity of the energy-efficient system by insuring only Elite brand trims are used. The EZ-connect system prevents installation of less efficient incandescent luminaires and LEDs.

## LISTING

c-UL-us listed for Damp location. Feed Through Wiring. Direct Contact w/ Insulation.  
c-ETL-us listed for Damp location. Feed Through Wiring. Direct Contact w/ Insulation.  
LM79/LM80  
Covered by U.S. Patent Number: 7717390B1

## DIMMING INFORMATION

DIMELV (Electronic Low Voltage Dimming)



LED  
4"

4 INCH NEW CONSTRUCTION IC HOUSING

