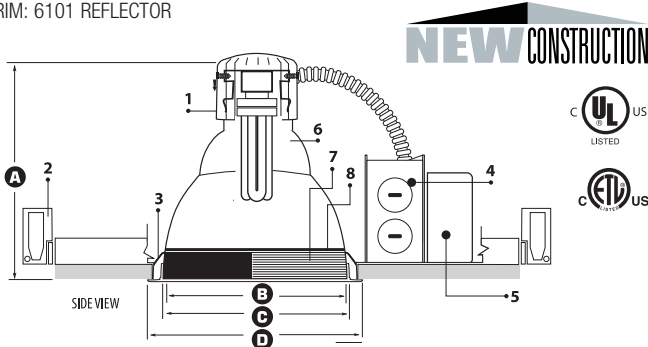
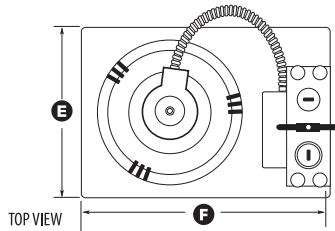




TRIM: 6101 REFLECTOR



- A** Min. Height = 8-1/8"  
Max. Height = 9-1/4"
- B** Trim Aperture = 6-1/2"
- C** Cut-out = 6-3/4"
- D** Trim Outside Diameter = 7-3/8"
- E** Width = 8"
- F** Length = 12-1/2"



### DESCRIPTION:

**1. LAMP HOLDER** - Die-cast aluminum lamp holder effectively provides heat dissipation and ventilation. Unitized optics guarantees proper trim to housing installation. Tool-less installation adjustability from either outside the housing or inside the housing.

**2. MOUNTING BRACKET** - Preinstalled bar hangers allow housing to be positioned and locked at any point within a 24" joist span and can be shortened for 12" joists. They are designed to be hammered directly without using nails or screws and could be fit onto T-Bar spline for easy installation and quick alignment.

**3. RETAINING SPRINGS** - Precision tooled springs secure trim to mounting frame, for effortless and tool-less installation.

**4. JUNCTION BOX/BALLAST** - UL and ETL listed for through-branch circuit wiring and has four 1/2" KO's, one 3/4" KO and four Romex knockouts with pry-out slots and strain clamps. Ballast and Junction Box are accessible from below, no tools required. **Ballast supplied is manufactured by Advance Transformer CO, Universal Technologies or Lutron Electronics.**

**5. MOUNTING FRAME** - Die-formed construction for maximum heat dissipation and rust protection.

### OPTICS:

**6. REFLECTOR** - .050" aluminum reflector with low iridescent anodized finish. Reflector provides 45-degree lamp-to-reflector image cutoff.

**7. GROOVE BAFFLE** - Self-flanged one-piece aluminum with concentric rings.

**8. LENS** - Choice of either tempered clear, tempered fresnel, tempered prismatic or tempered frosted lens fastened with two torsion springs for easy re-lamping. ETL/UL listed for wet or damp location.

### LISTING:

ETL/UL listed for through-branch circuit wiring and damp locations. Wet location only with lens trims.

**Energy Star Qualified Models:**

- BHVR6PL-1X13-S-120-AT
- BHVR6PL-1X18-S-120-AT
- BHVR6PL-1X26-S-120-AT
- BHVR6PL-2X13-S-120-AT
- BHVR6PL-2X18-S-120-AT
- BHVR6PL-2X26-S-120-AT

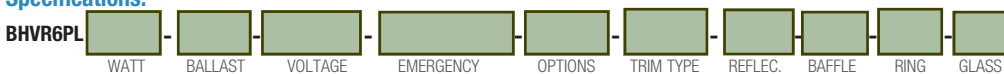
TYPE:	PROJECT NAME:
-------	---------------

**BHVR6PL - ITEM SELECTOR:** (Please check the boxes below for the option desired)

WATTAGE	BALLAST	VOLTAGE	EMERGENCY OPTIONS	TRIM TYPE & DESCRIPTION	REFLTR.	BAFFLE
<input type="checkbox"/> 1x9	<input type="checkbox"/> (E)Electronic	<input type="checkbox"/> MVOLT (120/277)	<input type="checkbox"/> EMG 750 <sup>5,6</sup> (750 Lum.)	<input type="checkbox"/> 6101 Reflector	<input type="checkbox"/> 6114 Ref./Frost Gls. Lns.	<input type="checkbox"/> CL
<input type="checkbox"/> 1x13	<input type="checkbox"/> (M)Magnetic	<input type="checkbox"/> 120	<input type="checkbox"/> EMG 1300 <sup>5,6</sup> (1300 Lum.)	<input type="checkbox"/> 6102 Baffle/Ref.	<input type="checkbox"/> 6115 Ref./Tem. Clr. Gls.	<input type="checkbox"/> SCH**
<input type="checkbox"/> 1x18	<input type="checkbox"/> (S)Energy Star <sup>2</sup>	<input type="checkbox"/> 277	<input type="checkbox"/> INTG-750 <sup>5,7</sup> (750 Lum.)	<input type="checkbox"/> 6103 Ref./Fres. Gls. Lns.	<input type="checkbox"/> 6116 Ref./Pris. Plas. Lns.	<input type="checkbox"/> SHZ*
<input type="checkbox"/> 1x26	<b>DIMMING</b>		<input type="checkbox"/> INTG 1300 <sup>5,7</sup> (1300 Lum.)	<input type="checkbox"/> 6104 Ref./Pris. Gls. Lns.	<input type="checkbox"/> 6117 Baf./Pris. Plas. Lns.	<input type="checkbox"/> WT
<input type="checkbox"/> 1x32	<input type="checkbox"/> Adv-7 <sup>3</sup>		<input type="checkbox"/> EMG-D-750 <sup>5,8</sup> (750 Lum.)	<input type="checkbox"/> 6105 Baffle/Fres. Gls. Lns.	<input type="checkbox"/> 6118 Ref./Tem. Clr. Plas.	<input type="checkbox"/> W
<input type="checkbox"/> 1x42	<input type="checkbox"/> Adv-10 <sup>4</sup>		<input type="checkbox"/> INTG-D-750 <sup>5,9</sup> (750 Lum.)	<input type="checkbox"/> 6106 Baffle/Pris. Gls. Lns.	<input type="checkbox"/> 6119 Ref./Tem. Clr. Gls.	<input type="checkbox"/> MB
	<input type="checkbox"/> Lut-H <sup>4</sup> (FDB)		<input type="checkbox"/> ICE-1300 <sup>5,10</sup> (1300 Lum.)	<input type="checkbox"/> 6107 Wall Wash	<input type="checkbox"/> 6109 Deco Glass Ring	
			<b>OTHER OPTIONS</b>	<input type="checkbox"/> 6108 Crossblade	<input type="checkbox"/> 6110 Double Ring	
			<input type="checkbox"/> FUSE <sup>11</sup>	<input type="checkbox"/> 6112 Baffle/Frost Gls. Lns.	<input type="checkbox"/> 6111 Triple Ring	
			<input type="checkbox"/> RIF <sup>12</sup>	<input type="checkbox"/> 6113 Baffle/Tem. Clr. Gls.		

(1=9W—Available only in Magnetic) (2=S—Electronic Energy Star Ballast, available in 120V only) (3=Adv-7 not available on BHVR6PL-1x9) (4=Adv-10 and Lut-H(FDB) are not available on BHVR6PL-1x9, BHVR6PL-1x13) (5=See page 308-321 for more details)  
 (6=EMG—Emergency battery pack w/ remote test switch) (7=INTG—Emergency battery pack w/ integral/reflector test switch) (8=EMG-D—Emergency battery pack w/ remote test switch for damp location)  
 (9=INTG-D—Emergency battery pack w/ integral/reflector test switch for damp location) (10=ICE—Emergency battery pack w/ remote test switch operating between -18°C and 55°C) (11=FUSE—Single slow-blow fuse) (12=RIF—Radio interference filter)

### Specifications:



Sample of Catalog Number: **BHVR6PL-1X26-E-MVOLT-EMG750-6101-CL-WH**

<b>REFLECTOR</b>	<b>BAFFLE</b>	<b>RING</b>
CL Clear	WH White	WH Self-Flange White
SHZ Satin Haze	P Black	Standard on all trims
Low Interscent		SCH** Self-Flange Chrome
WT Wheat		** Only available on XX01 CL
MB Black		SHZ* Satin Haze
W White		XX10 and XX11 series
		* Provided w/ satin haze ring only

*\*For custom baffle, reflector, trim ring, glass color and lens options, please consult factory.*