

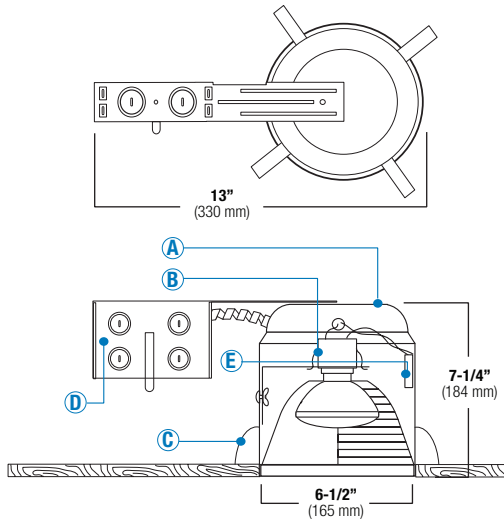
B6RIC

6" Universal IC Remodel Housing

LAMP WATTAGE: (1) MAXIMUM 75W R/PAR30, 60W A19, 65W BR30



DESIGNED FOR 2" X 8" JOIST CONSTRUCTION



ITEM SELECTOR: (Please check the boxes below for the option desired)

TYPE	AIR-SHUT	OPTION	TRIM TYPE	BAFFLE	REFLECTOR	TRIM/RING	GLASS
B6RIC	<input type="checkbox"/> AT	<input type="checkbox"/> (W) With quick connects	<input type="checkbox"/> B630 <input type="checkbox"/> B609 <input type="checkbox"/> B606L <input type="checkbox"/> B676 <input type="checkbox"/> B651 <input type="checkbox"/> B688	<input type="checkbox"/> W	<input type="checkbox"/> CL	<input type="checkbox"/> WH	<input type="checkbox"/> Green
			<input type="checkbox"/> B620 <input type="checkbox"/> B619 <input type="checkbox"/> B635 <input type="checkbox"/> B612 <input type="checkbox"/> B611 <input type="checkbox"/> B685	<input type="checkbox"/> P	<input type="checkbox"/> RG	<input type="checkbox"/> BK	<input type="checkbox"/> Yellow
			<input type="checkbox"/> B631 <input type="checkbox"/> B646 <input type="checkbox"/> B636 <input type="checkbox"/> B645 <input type="checkbox"/> B647 <input type="checkbox"/> B696	<input type="checkbox"/> SN	<input type="checkbox"/> W	<input type="checkbox"/> SN	<input type="checkbox"/> Pink
			<input type="checkbox"/> AF637 <input type="checkbox"/> B616 <input type="checkbox"/> B642 <input type="checkbox"/> B648 <input type="checkbox"/> B644 <input type="checkbox"/> B689	<input type="checkbox"/> CP	<input type="checkbox"/> MB	<input type="checkbox"/> CP	<input type="checkbox"/> Brown
			<input type="checkbox"/> AF631 <input type="checkbox"/> B663 <input type="checkbox"/> B641 <input type="checkbox"/> B652 <input type="checkbox"/> B650 <input type="checkbox"/> B680	<input type="checkbox"/> BZ	<input type="checkbox"/> BZ	<input type="checkbox"/> CH	<input type="checkbox"/> Navy Blue
			<input type="checkbox"/> AF639 <input type="checkbox"/> B673 <input type="checkbox"/> B656 <input type="checkbox"/> B603 <input type="checkbox"/> B622		<input type="checkbox"/> CP	<input type="checkbox"/> PB	<input type="checkbox"/> Orange
			<input type="checkbox"/> AF640 <input type="checkbox"/> B683 <input type="checkbox"/> B657 <input type="checkbox"/> B615 <input type="checkbox"/> B625		<input type="checkbox"/> SN	<input type="checkbox"/> BZ	<input type="checkbox"/> Blue
			<input type="checkbox"/> AF632 <input type="checkbox"/> B601 <input type="checkbox"/> B637 <input type="checkbox"/> B633 <input type="checkbox"/> B624		<input type="checkbox"/> SHZ		<input type="checkbox"/> White
			<input type="checkbox"/> B610 <input type="checkbox"/> B601L <input type="checkbox"/> B643 <input type="checkbox"/> B649 <input type="checkbox"/> B681				<input type="checkbox"/> Red
			<input type="checkbox"/> B607 <input type="checkbox"/> B605 <input type="checkbox"/> B658 <input type="checkbox"/> AF633 <input type="checkbox"/> B687				
			<input type="checkbox"/> B608 <input type="checkbox"/> B605L <input type="checkbox"/> B659 <input type="checkbox"/> B225 <input type="checkbox"/> B682				
			<input type="checkbox"/> B602 <input type="checkbox"/> B606 <input type="checkbox"/> B675 <input type="checkbox"/> B653 <input type="checkbox"/> B693				

Specifications:

B6RIC

AIR-SHUT - OPTION - TRIM TYPE - BAFFLE - REFLECTOR - TRIM/RING - GLASS

BAFFLE	REFLECTOR	TRIM/RING
W White	CL Chrome	WH White
P Black	RG Gold	BK Black
SN Satin Nickel	W White	SN Satin Nickel
CP Copper	MB Black	CP Copper
BZ Bronze	BZ Bronze	CH Chrome
	CP Copper	PB Polish Brass
	SN Satin Nickel	BZ Bronze
	SHZ Satin Haze	

Sample of Catalog Number: B6RIC-AT-W-B630-W-WH

*For custom baffle, reflector, trim ring, glass color and lens options, please consult factory.



Submission form is available @ www.iuseelite.com
Tel: 323-888-1973 • Fax: 323-888-1977

Specifications and Dimensions subject to change without notice.

REV: ELITE LIGHTING-SPEC-06-29-2011

Catalog Number:

B6RIC

Project Name:

Type:

Note:



DESCRIPTION

Thermally protected, IC rated specification grade remodel recessed housing. For remodeling installations where housing will be in direct contact with insulation. For fast and easy installation in existing plaster or mechanical ceilings from 1/2" to 1-3/8" thick. Four remodel clips are easily retractable for fixture removal if necessary. Junction box is provided with eight 1/2" KOs and four Romex knockouts with strain relief. Accommodates up to 75W PAR30, BR30, and A19 lamps.

SPECIFICATION

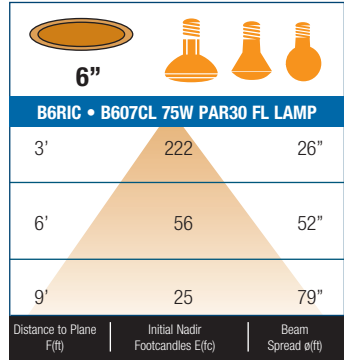
A. HOUSING - Die-formed, all aluminum construction for maximum heat dissipation and rust protection.

B. SOCKET - Medium base screw shell porcelain socket preinstalled on adjustable mounting bracket is designed to allow usage of different lamp types, as well as proper and consistent lamp positioning.

C. INSTALLATION - Four preinstalled spring clips which secure the housing firmly into ceiling to accommodate different ceiling thicknesses from 1/2" to 1-3/8".

D. JUNCTION BOX - UL and ETL listed for through-branch circuit wiring, provided with eight 1/2" KOs and four Romex knockouts with strain relief.

E. THERMAL PROTECTION - Standard thermal protection device guards against improper installation, overlamping and misuse of insulation material.



BEAM DIA. MEASURED AT 50% OF NADIR F.C.

FEATURES

- Thermally Protected remodel IC housing.
- Dependable, favorable design and effortless installation.
- Unit slips through 6-1/2" ceiling opening.
- Four preinstalled spring clips which secure the housing firmly into ceiling to accommodate different ceiling thickness from 1/2" to 1-3/8".
- Can be installed from below the ceiling.
- 7-1/4" height allows use in 2" x 8" joist construction.
- Wire through junction box.
- Adjustable socket bracket.
- Preinstalled socket cap provides electrical contact protection against dust, paint and over spray.

OPTIONS

AIR-SHUT

- Gasket to prevent air flow from heated or air conditioned spaces.
- Meets all national air flow requirements.

UL AND C-UL/ETL AND C-ETL LISTED

- For Damp location
- For Feed-through wiring
- For Direct contact with insulation