

# B6R

## 6" Universal Non-IC Remodel Housing

LAMP WATTAGE: (1) MAX. 150W R40/PAR38, 120W BR40, 85W BR30, 150W A21



DESIGNED FOR 2" X 8" JOIST CONSTRUCTION

<b>Catalog Number:</b> B6R	<b>Type:</b>
<b>Project Name:</b>	
<b>Note:</b>	



### DESCRIPTION

Thermally protected, specification grade remodel recessed housing. For remodel applications where insulation can be kept 3" from housing. Accommodates up to 150W R40/PAR38, 120W BR40, 85W BR30 and 150W A21 lamps. For fast and easy installation in existing plaster or mechanical ceilings from 1/2" to 1-3/8" thick. Four remodel clips are easily retractable for fixture removal if necessary. Junction box is provided with eight 1/2" KOs and four Romex knockouts with strain relief.

### SPECIFICATION

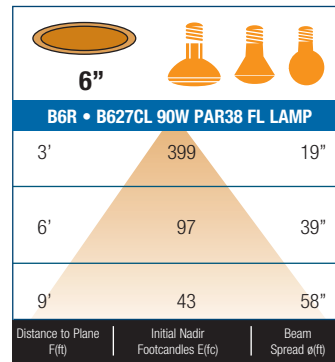
**A. HOUSING** - High temperature painted 22 gauge cold rolled steel construction for maximum heat dissipation and rust protection. Accommodates lamps up to 150W depending on trim used.

**B. SOCKET** - Medium base screw shell porcelain socket preinstalled on adjustable mounting bracket is designed to allow usage of different lamp types, as well as proper and consistent lamp positioning.

**C. INSTALLATION** - Four preinstalled spring clips which secure the housing firmly into ceiling to accommodate different ceiling thickness from 1/2" to 1-3/8".

**D. JUNCTION BOX** - UL and ETL listed for through-branch circuit wiring, provided with eight 1/2" KOs and four Romex knockouts with strain relief.

**E. THERMAL PROTECTION** - Standard thermal protection device guards against improper installation, overlampping and misuse of insulation material.



BEAM DIA. MEASURED AT 50% OF NADIR F.C.

### FEATURES

- Thermally Protected Remodel Non-IC housing.
- Dependable, favorable design and effortless installation.
- Unit slips through 6-1/2" ceiling opening.
- Four preinstalled spring clips which secure the housing firmly into ceiling to accommodate different ceiling thickness from 1/2" to 1-3/8".
- Can be installed from below the ceiling.
- Adjustable socket bracket.
- Wire through junction box.
- 7-1/4" height allows use in 2" x 8" joist construction.
- Preinstalled socket cap provides electrical contact protection against dust, paint and over spray.

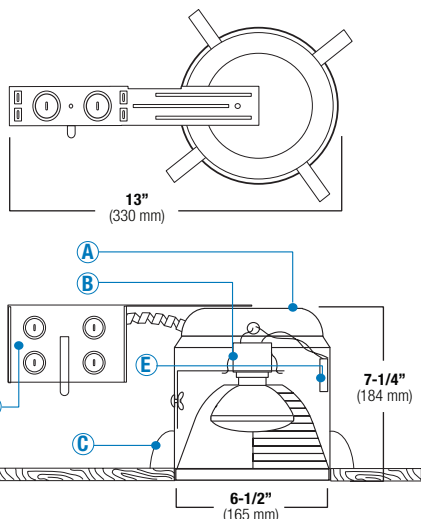
### OPTIONS

#### AIR-SHUT

- Gasket to prevent air flow from heated or air conditioned spaces.
- Meets all national air flow requirements.

#### UL AND C-UL/ETL AND C-ETL LISTED

- For Damp location
- For Feed-through wiring



ITEM SELECTOR: (Please check the boxes below for the option desired)

TYPE	AIR-SHUT	OPTION	TRIM TYPE	BAFFLE	REFLECTOR	TRIM/RING	GLASS
B6R	<input type="checkbox"/> AT	<input type="checkbox"/> (W) With quick connects	<input type="checkbox"/> B630 <input type="checkbox"/> B609 <input type="checkbox"/> B605 <input type="checkbox"/> B658 <input type="checkbox"/> B634 <input type="checkbox"/> B625 <input type="checkbox"/> B640 <input type="checkbox"/> B619 <input type="checkbox"/> B605L <input type="checkbox"/> B659 <input type="checkbox"/> B649 <input type="checkbox"/> B624 <input type="checkbox"/> B620 <input type="checkbox"/> B646 <input type="checkbox"/> B606 <input type="checkbox"/> B675 <input type="checkbox"/> AF633 <input type="checkbox"/> B681 <input type="checkbox"/> B631 <input type="checkbox"/> B616 <input type="checkbox"/> B606L <input type="checkbox"/> B676 <input type="checkbox"/> B225 <input type="checkbox"/> B687 <input type="checkbox"/> B632 <input type="checkbox"/> B663 <input type="checkbox"/> B635 <input type="checkbox"/> B612 <input type="checkbox"/> B653 <input type="checkbox"/> B682 <input type="checkbox"/> AF640 <input type="checkbox"/> B664 <input type="checkbox"/> B636 <input type="checkbox"/> B645 <input type="checkbox"/> B651 <input type="checkbox"/> B693 <input type="checkbox"/> AF632 <input type="checkbox"/> B673 <input type="checkbox"/> B642 <input type="checkbox"/> B648 <input type="checkbox"/> B611 <input type="checkbox"/> B694 <input type="checkbox"/> B610 <input type="checkbox"/> B674 <input type="checkbox"/> B641 <input type="checkbox"/> B652 <input type="checkbox"/> B647 <input type="checkbox"/> B688 <input type="checkbox"/> B607 <input type="checkbox"/> B683 <input type="checkbox"/> B656 <input type="checkbox"/> B603 <input type="checkbox"/> B644 <input type="checkbox"/> B685 <input type="checkbox"/> B627 <input type="checkbox"/> B684 <input type="checkbox"/> B657 <input type="checkbox"/> B604 <input type="checkbox"/> B650 <input type="checkbox"/> B696 <input type="checkbox"/> B608 <input type="checkbox"/> B601 <input type="checkbox"/> B637 <input type="checkbox"/> B615 <input type="checkbox"/> B622 <input type="checkbox"/> B689 <input type="checkbox"/> B602 <input type="checkbox"/> B601L <input type="checkbox"/> B643 <input type="checkbox"/> B633 <input type="checkbox"/> B623 <input type="checkbox"/> B680	<input type="checkbox"/> W <input type="checkbox"/> CL <input type="checkbox"/> P <input type="checkbox"/> RG <input type="checkbox"/> SN <input type="checkbox"/> W <input type="checkbox"/> CP <input type="checkbox"/> MB <input type="checkbox"/> BZ <input type="checkbox"/> BZ <input type="checkbox"/> CP <input type="checkbox"/> SN <input type="checkbox"/> SHZ	<input type="checkbox"/> WH <input type="checkbox"/> BK <input type="checkbox"/> SN <input type="checkbox"/> CP <input type="checkbox"/> CH <input type="checkbox"/> PB <input type="checkbox"/> BZ	<input type="checkbox"/> Green <input type="checkbox"/> Yellow <input type="checkbox"/> Pink <input type="checkbox"/> Brown <input type="checkbox"/> Navy Blue <input type="checkbox"/> Orange <input type="checkbox"/> Blue <input type="checkbox"/> White <input type="checkbox"/> Red	

### Specifications:

B6R

AIR-SHUT	OPTION	TRIM TYPE	BAFFLE	REFLECTOR	TRIM/RING	GLASS
----------	--------	-----------	--------	-----------	-----------	-------

BAFFLE	REFLECTOR	TRIM/RING
W White	CL Chrome	WH White
P Black	RG Gold	BK Black
SN Satin Nickel	W White	SN Satin Nickel
CP Copper	MB Black	CP Copper
BZ Bronze	BZ Bronze	CH Chrome
	CP Copper	PB Polish Brass
	SN Satin Nickel	BZ Bronze
	SHZ Satin Haze	

Sample of Catalog Number: B6R-AT-W-B630-W-WH

\*For custom baffle, reflector, trim ring, glass color and lens options, please consult factory.



Submittal form is available @ [www.iuseelite.com](http://www.iuseelite.com)  
Tel: 323-888-1973 • Fax: 323-888-1977

Specifications and Dimensions subject to change without notice.

REV: ELITE LIGHTING-SPEC-06-29-2011