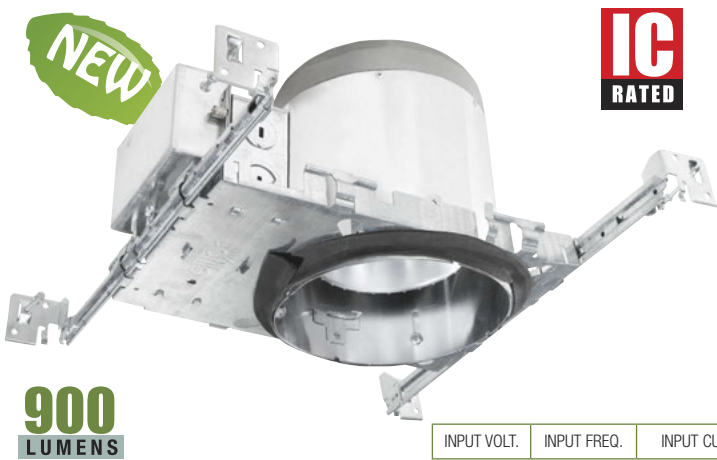
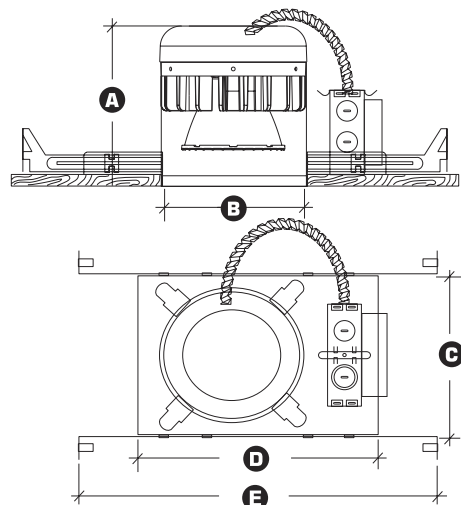


B6IC-LED 6" NEW CONSTRUCTION IC LED HOUSING

Project Name Type



- A** Height = 7-1/4"
- B** Cut-out = 6-1/2"
- C** Width = 7"
- D** Length = 10"
- E** Bar Hanger = 12"-24"



INPUT VOLT.	INPUT FREQ.	INPUT CUR.	INPUT POWER	THD	POWER FACTOR	LUMENS
120/277	50/60Hz	150mA/65mA	18W(+/-5%)	<20%	>0.9	900
120/277	50/60Hz	116mA/50mA	14W(+/-5%)	<20%	>0.9	675

DESCRIPTION - 6" LED dedicated New Construction IC housing with integral LED heat management casting and driver (installed on junction box). Designed for new construction installations and suitable for use in insulation covered or non-insulation covered ceilings. Consumes less than 14 Watts and produces over 675 usable lumens and 18 Watts produce over 900 lumens. Lighting is smooth and comfortable while using 75% less energy than the equivalent 65W BR30 & 75W BR30 and 25% less than the common 18W & 26W CFL luminaire. Plus, the eco-friendly Elite LED system features 70% lumen maintenance at 50,000 hours life, with Energy Star and California Title-24 (compliances pending).

FEATURES - Greater light output than an 18W & 26W CFL or a 65W BR30 & 75W BR30 while consuming less than 14W & 18W of power. Elite LED luminaires are ideally suited for use in hospitality, health care, commercial, retail and residential applications.



OPTICS - Anyone can mount a chip to a heat sink and make a downlight. Gather the light scattered by the LED chip, shape it into a functional beam with state of the art reflectors, integrate the light through a smooth lens to minimize brightness, then top it all off with a glare reducing cone that has a 55-degree cut-off. Now you have the Elite engineered, superior quality, light engine; consuming less than 14 Watts and 18 Watts producing over 675 & 900 lumens.

JUNCTION BOX - UL Listed for through-branch circuit wiring, provided with four 1/2" knockouts, one 3/4" knockout and four Romex knockouts with true pry-out slots and strain clamps. Designed for straight through conduit runs. Driver is installed on the junction box cover so it may be serviced from below the ceiling.

DURABILITY - Die-cast aluminum heat management system is engineered for extremely long life and service period. Heat sink is attached to top of housing. The LED light engine is attached to the die-cast heat sink and is easily replaceable and upgradable. Life tests have shown the Elite light engine output will be maintained at 70% of initial at 50,000 hours of operation. Our LED driver is rated for 50 to 60 Hz, produces less than 20% THD, has a power factor between 0.90 and 1.00 and is thermally protected for additional safety. Elite's driver is installed on the junction box cover so it may be serviced from below the ceiling.

THERMAL PROTECTION - Standard thermal protection device guards against improper installation and misuse of insulation material.

REPEATABLE - All Elite LED luminaires are rated at 85+ CRI as rated and tested to LM-79 and LM-80 standards by a certified laboratory. California Title-24-2008 and Energy Star compliance are standard.

BAR HANGERS - Preinstalled bar hangers allow housing to be positioned and locked at any point within a 24" joist span. They can be positioned on either the long or short axis of the housing and can be shortened for 12" joists. They contain a double-headed real nail for secure attachment into the joist. Bar hanger nails are installed on a 20° downward angle for better contact, and the 90° pivoting mounting plate makes installation fast and accurate. Bar hangers can fit onto T-Bar spline with additional slots and holes for special mounting methods if necessary.

DIMMABLE - The Elite LED system is fully dimmable down to 10% of initial light output with a 0-10 Volt dimmer when ordered with the following options (DIM10-120, DIM10-277). Fixtures can be shipped with a Lutron Hi-lume A series Driver which can be dimmed with Lutron Dimming Systems when ordered with the following options (120-LUTH, 277-LUTH). Triac & Electronic Low Voltage dimming driver also available when ordered with the following options (DIMTR-120). Consult Factory for details.

OUR WORD - The Elite LED lighting system is warranted for 3 years. As a system, we stand behind the entire Elite products from housing to bar hangers.

HOUSING - Die-formed aluminum and galvanized steel for maximum heat dissipation and rust protection. Housing adjusts vertically in plaster frame to accommodate 1/2" to 1-3/8" thick ceiling. Housing is IC rated for direct contact with insulation and can be used in IC and NON-IC applications. May be installed in 2" x 8" joist construction.

LISTING
 c-UL-us / c-ETL-us - listed for Damp location
 c-UL-us / c-ETL-us - listed for feed Through Wiring
 c-UL-us / c-ETL-us - listed for Direct Contact With Insulation
 LM79 / LM80
 Covered by U.S. Patent Numbers: D6423175S, 7717390B1, D615239S

DIMMING INFORMATION
 DIMTR (Triac & Electronic Low Voltage Dimming)
 DIM10 (0-10V Dimming)
 LUTH (Lutron® Hi-lume® Dimming)

B6IC-LED																
ITEM SELECTOR: Example: B6IC-LED-14W-DIM10-120-FL-30K-AT-L631-W-WH																
TYPE	675 LUMENS		900 LUMENS		OPTICS	COLOR	AIR-SHUT	EMERGENCY	TRIM				BAFFLE	REFLECTOR	TRIM/RING	
B6IC-LED	<input type="checkbox"/> 14W-DIMTR-120	<input type="checkbox"/> 14W-LUTH-120	<input type="checkbox"/> 14W-LUTH-277	<input type="checkbox"/> 14W-DIM10-120	<input type="checkbox"/> 14W-DIM10-277	<input type="checkbox"/> FL (Flood-Standard)	<input type="checkbox"/> 27K <input type="checkbox"/> 30K <input type="checkbox"/> 35K <input type="checkbox"/> 40K <input type="checkbox"/> 50K	<input type="checkbox"/> AT	<input type="checkbox"/> EMG	<input type="checkbox"/> L631 <input type="checkbox"/> L607 <input type="checkbox"/> L611 <input type="checkbox"/> L622 <input type="checkbox"/> L656 <input type="checkbox"/> L676 <input type="checkbox"/> L675	<input type="checkbox"/> L635 <input type="checkbox"/> L636 <input type="checkbox"/> L657 <input type="checkbox"/> L659 <input type="checkbox"/> L658 <input type="checkbox"/> L641 <input type="checkbox"/> L642	<input type="checkbox"/> L652 <input type="checkbox"/> L612 <input type="checkbox"/> L645 <input type="checkbox"/> L601 <input type="checkbox"/> L601L <input type="checkbox"/> L605 <input type="checkbox"/> L605L	<input type="checkbox"/> L687 <input type="checkbox"/> L681 <input type="checkbox"/> L688 <input type="checkbox"/> L685 <input type="checkbox"/> L680 <input type="checkbox"/> L689 <input type="checkbox"/> L686	<input type="checkbox"/> W <input type="checkbox"/> P <input type="checkbox"/> SN <input type="checkbox"/> CP <input type="checkbox"/> BZ	<input type="checkbox"/> BZ <input type="checkbox"/> CL <input type="checkbox"/> CP <input type="checkbox"/> RG <input type="checkbox"/> MB <input type="checkbox"/> W <input type="checkbox"/> SN <input type="checkbox"/> SHZ	<input type="checkbox"/> BK <input type="checkbox"/> WH <input type="checkbox"/> CH <input type="checkbox"/> PB <input type="checkbox"/> SN <input type="checkbox"/> CP <input type="checkbox"/> BZ