

B4

4" Miniature Non-IC Housing

LAMP WATTAGE: (1) MAXIMUM 50W R/PAR20/A19

Catalog Number:

B4

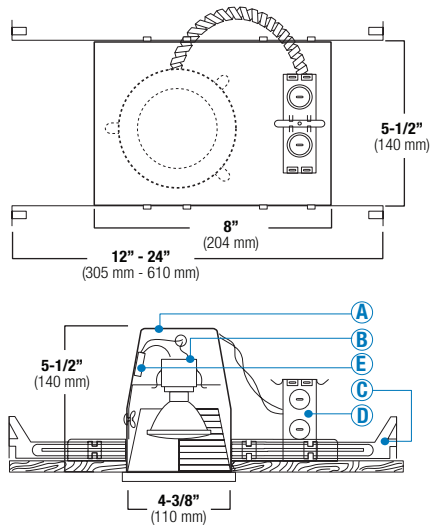
Project Name:

Type:

Note:



DESIGNED FOR 2" X 6" JOIST CONSTRUCTION



DESCRIPTION

Small aperture thermally protected, specification grade recessed housing. For new construction non-insulated ceilings or where insulation can be kept 3" from housing. Accommodates up to 50W PAR20, R20, and A19 lamps. Furnished with preinstalled adjustable bar hangers. Junction box is provided with four 1/2" KOs, one 3/4" KO and four Romex knockouts with strain relief.

SPECIFICATION

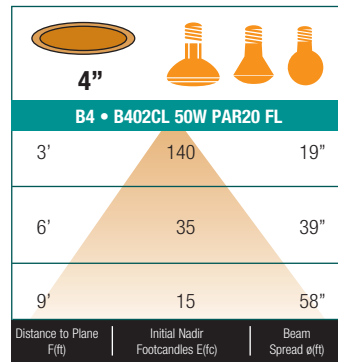
A. HOUSING - High temperature painted 22 gauge deep drawn single piece housing. Adjusts vertically in plaster frame to accommodate 1/2" to 1-3/8" ceiling. Accommodate lamps up to 50W depending on trim used.

B. SOCKET - Medium base screw shell porcelain socket preinstalled on adjustable mounting bracket is designed to allow usage of different lamp types, as well as proper and consistent lamp positioning.

C. BAR HANGERS - Preinstalled bar hangers allow housing to be positioned and locked at any point within a 24" joist span and can be shortened for 12" joists. They contain a double-headed real nail for secure attachment into the joist. Bar hanger nails are installed on a 20° downward angle for better contact, and the 90° pivoting mounting plate makes installation fast and accurate. Bar hangers can fit onto T-Bar spline with additional slots and holes for special mounting methods if necessary.

D. JUNCTION BOX - UL and ETL listed for through-branch circuit wiring and has four 1/2" KOs, one 3/4" KO and four Romex knockouts with true pry-out slots and strain clamps.

E. THERMAL PROTECTION - Standard thermal protection device guards against improper installation, overlampping and misuse of insulation material.



BEAM DIA. MEASURED AT 50% OF NADIR F.C.

FEATURES

- Thermally Protected Non-IC housing.
- Designed for accent and task lighting applications.
- Adjustable socket bracket.
- Wire through junction box.
- Preinstalled adjustable bar hanger.
- Dependable, favorable design and effortless installation.
- 5 1/2" height allows use in 2" x 6" joist construction.
- Special screw on the frame locks bar hangers in place which prevents the housing from any movement once installed.
- Preinstalled socket cap provides electrical contact protection against dust, paint and over spray.

OPTIONS

AIR-SHUT

- **Gasket to prevent air flow from heated or air conditioned spaces.**
- **Meets all national air flow requirements.**

UL AND C-UL/ETL AND C-ETL LISTED

- For Damp location
- For Feed-through wiring



ITEM SELECTOR: (Please check the boxes below for the option desired)

TYPE	AIR-SHUT	OPTION	TRIM TYPE	BAFFLE	REFLECTOR	TRIM/RING	GLASS		
B4	<input type="checkbox"/> AT	<input type="checkbox"/> (W) With quick connects	<input type="checkbox"/> B401 <input type="checkbox"/> B421 <input type="checkbox"/> B402 <input type="checkbox"/> B432 <input type="checkbox"/> B420 <input type="checkbox"/> B496 <input type="checkbox"/> B497 <input type="checkbox"/> B403 <input type="checkbox"/> B461 <input type="checkbox"/> B405 <input type="checkbox"/> B422	<input type="checkbox"/> B406 <input type="checkbox"/> B407 <input type="checkbox"/> B462 <input type="checkbox"/> B452 <input type="checkbox"/> B455 <input type="checkbox"/> B451 <input type="checkbox"/> B454 <input type="checkbox"/> B437 <input type="checkbox"/> B438 <input type="checkbox"/> B439 <input type="checkbox"/> AF401	<input type="checkbox"/> AF402 <input type="checkbox"/> B471 <input type="checkbox"/> B472 <input type="checkbox"/> B473 <input type="checkbox"/> B474 <input type="checkbox"/> B441 <input type="checkbox"/> B443 <input type="checkbox"/> B442 <input type="checkbox"/> B444	<input type="checkbox"/> W <input type="checkbox"/> P <input type="checkbox"/> SN <input type="checkbox"/> CP <input type="checkbox"/> BZ	<input type="checkbox"/> CL <input type="checkbox"/> RG <input type="checkbox"/> W <input type="checkbox"/> MB <input type="checkbox"/> BZ <input type="checkbox"/> CP <input type="checkbox"/> SN <input type="checkbox"/> SHZ	<input type="checkbox"/> WH <input type="checkbox"/> BK <input type="checkbox"/> SN <input type="checkbox"/> CP <input type="checkbox"/> CH <input type="checkbox"/> PB <input type="checkbox"/> BZ	<input type="checkbox"/> Green <input type="checkbox"/> Yellow <input type="checkbox"/> Pink <input type="checkbox"/> Brown <input type="checkbox"/> Navy Blue <input type="checkbox"/> Orange <input type="checkbox"/> Blue <input type="checkbox"/> White <input type="checkbox"/> Red

Specifications:

B4



BAFFLE	REFLECTOR	TRIM/RING
W White	CL Chrome	WH White
P Black	RG Gold	BK Black
SN Satin Nickel	W White	SN Satin Nickel
CP Copper	MB Black	CP Copper
BZ Bronze	BZ Bronze	CH Chrome
	CP Copper	PB Polish Brass
	SN Satin Nickel	BZ Bronze
	SHZ Satin Haze	

Sample of Catalog Number: B4-AT-W-B401-W-WH

*For custom baffle, reflector, trim ring, glass color and lens options, please consult factory.



Submittal form is available @ www.iuseelite.com
Tel: 323-888-1973 • Fax: 323-888-1977

Specifications and Dimensions subject to change without notice.

REV: ELITE LIGHTING-SPEC-06-29-2011