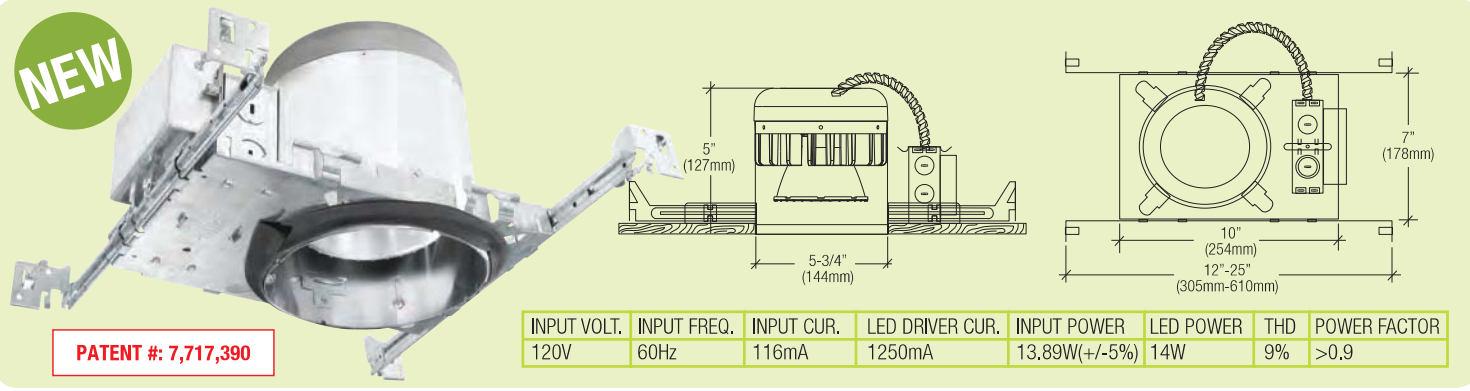


B25IC-LED-14W-120V-DIM-FL-30K-AT

Project Name

Type

5" New Construction Shallow IC Housing for use with L500 LED series trims



5" LED dedicated Shallow IC housing with integral LED heat management casting and driver (installed on junction box). Designed for new construction installations and suitable for use in insulation covered or non-insulation covered ceilings. Consuming less than 14 watts and producing over 600 usable lumens. Lighting is smooth and comfortable, all while using 75% less energy than the equivalent 65W BR30 and 25% less than the common 18W CFL. Plus the Elite Lighting LED system features 70% lumen maintenance at 50,000 hours life, with California Title-24-2008 compliance and Energy Star Rating.

FEATURES - Greater light output than an 18W CFL or a 65W BR30 while consuming less than 14W of power.

OPTICS – Anyone can mount a chip to a heat sink and make a downlight. Gather the light scattered by the LED chip, shape it into a functional beam with state of the art reflectors, integrate the light through a smooth lens to minimize brightness, then top it all off with a glare reducing cone that has a 55-degree cut-off. Now you have the Elite engineered, superior quality, light engine; consuming less than 14 watts and producing over 600 lumens.

Available optics: • Spot • Flood

DURABILITY – Die-cast aluminum housing and heat management system are engineered for extremely long life and service period. Heat sink is attached to top of housing. The LED light engine is attached to the die-cast heat sink and is easily replaceable and upgradable. Without proper heat management, any LED luminaire will fail. Our die-cast system pulls the heat from the LED chip, allowing continued cool operation for years. Life tests have shown the Elite light engine output will be maintained at 70% of initial at 50,000 hours of operation. Our superior design allows for installation in construction that requires Elite Air-Shut™ system. Our LED driver is rated for 50 to 60 Hz at 120V input, produces less than 10% THD, has a power factor between 0.90 and 1.00 and is thermally protected for additional safety. Elite’s driver is installed on the junction box cover so it may be serviced from below the ceiling. In installations of 277V, we offer a step down transformer options that is field installable.

REPEATABLE – Repeatability means quality. From our chip selection process, to our driver, to the thermal management, the Elite LED Module is engineered for quality. All Elite LED luminaires are rated at 85+ CRI and tested to LM-79 and LM-80 standards by an outside laboratory, California Title-24-2008 and Energy Star compliance are standard. Our stringent chip specifications require only those chips that produce no ultra violet and virtually no infrared.

DIMMABLE – The **Module LED** system is dimmable down to 15% by using an approved standard incandescent dimmer or an Electronic Low voltage dimmer. Incandescent microprocessor based dimmers such as Lutron Maestro or Abella are not compatible. For a complete list of approved dimmers, please refer to our dimming compatibility chart on page 120.

OUR WORD – The Elite LED lighting system is warranted for 3 years. As a system, we stand behind the entire Elite products from housing to bar hangers.

A. HOUSING – Die-formed aluminum and galvanized steel for maximum heat dissipation and rust protection. Housing adjusts vertically in plaster frame to accommodate 1/2" to 1-3/8" thick ceiling. Housing is IC rated for direct contact with insulation and can be used in IC and NON-IC applications. May be installed in 2" x 6" joist construction.

- B. BAR HANGERS** –
- Double-headed nail is securely positioned 20 down in a hammer swing position for quick installation. Allows for easy removal and relocation and can be easily installed into any wood material.
 - Bar hanger ends have quick location tab, can be modified to fit in 12" joist spans without removal from housing and are equipped with additional holes and slots for use when local codes require luminaires to be additionally secured.
 - Notch and tab in bar hanger ends allow installation on standard commercial T-bars and grid ceiling supports without additional modification, clips or brackets.
 - Bar hangers can be positioned on either the long or short axis of the housing and locked in position on all sides at any place along a 24" span.

C. JUNCTION BOX – UL Listed for through-branch circuit wiring, provided with four 1/2" knockouts, one 3/4" knockout and four Romex knockouts with true pry-out slots and strain clamps. Designed for straight through conduit runs. Driver is installed on the junction box cover so it may be serviced from below the ceiling.

D. THERMAL PROTECTION – Standard thermal protection device guards against improper installation and misuse of insulation material.

E. AIR-SHUT – Provided with gasket to prevent airflow from heated or air-conditioned spaces. Meets or exceeds all national air flow requirements.

UL LISTED

c-UL-us listed for Damp location.

c-UL-us listed for feed Through Wiring.

c-UL-us listed for Direct Contact with Insulation



TYPE	WATTAGE	VOLTAGE	DRIVER	OPTICS	COLOR	AIR-SHUT
B25IC-LED	<input type="checkbox"/> 14W	<input type="checkbox"/> 120V <input type="checkbox"/> 277V	<input type="checkbox"/> DIM-Dimming	<input type="checkbox"/> FL-Flood(Standard) <input type="checkbox"/> OPTIC ACCESSORIES <input type="checkbox"/> BP5LED-SP-Spot	<input type="checkbox"/> 27K <input type="checkbox"/> 30K <input type="checkbox"/> 35K <input type="checkbox"/> 40K <input type="checkbox"/> 50K	AT

Example: B5IC-LED-14W-120V-DIM-FL-30K-AT

