

B25IC-AT

Applications: **AS** **IC**

5" SHALLOW IC HOUSING

5" SHALLOW IC HOUSING

Lamp Wattage:

(1) Maximum 50W R/PAR30, 40W A19



FITS IN 2" X 6" JOIST CONSTRUCTION



5"		
B25IC • B507CL 50W PAR30 NFL LAMP		
5'	76	2.7'
8'	30	4.3'
10'	19	5.4'
12'	13	6.4'
Distance to Plane	Initial Nadir Footcandles	Beam Spread
<small>BEAM DIA. MEASURED AT 50% OF NADIR F.C.</small>		

DESCRIPTION:

For new construction. Thermally protected, IC rated specification grade recessed housing. Accommodates up to 50W PAR30, R30 lamps and 40W A19 lamps. Furnished with preinstalled adjustable bar hangers. Junction box is provided with four 1/2" KOs, one 3/4" KO and four Romex knockouts with strain relief.

FEATURES:

- Thermally Protected IC Housing.
- Wire through junction box.
- Preinstalled adjustable Bar Hanger.
- Dependable, favorable design and effortless installation.
- 5 1/2" height allows use in 2"x 6" joist construction.
- Special screw on the frame locks bar hangers in place which prevents the housing from any movement once installed.
- Preinstalled socket cap provides electrical contact protection against dust, paint and over spray.

OPTION:

- AIR-SHUT-**
 - Gasket to prevent air flow from heated or air conditioned spaces.
 - Meets all national air flow requirements.

ETL and C-ETL listed

For Damp location
For Feed-through wiring
For Direct contact with insulation

SPECIFICATION:

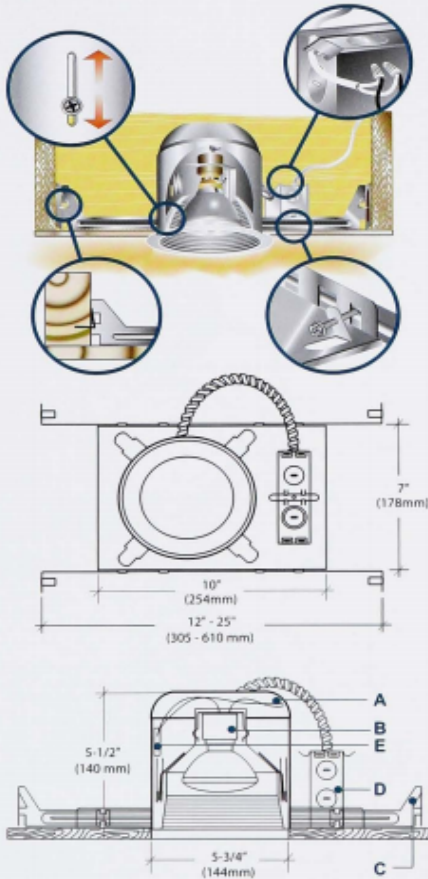
A. HOUSING - Die-formed all aluminum construction for maximum heat dissipation and rust protection. Adjusts vertically in plaster frame to accommodate 1/2" to 1-3/8" ceiling.

B. SOCKET - Medium base screw shell porcelain socket snaps into trim to allow usage of different lamp types, as well as proper and consistent lamp positioning.

C. BAR HANGERS - Preinstalled bar hangers allow housing to be positioned and locked at any point within a 24" joist span. They can be positioned on either the long or short axis of the housing and can be shortened for 12" joists. They contain a double-headed real nail for secure attachment into the joist. Bar hanger nails are installed on a 20° downward angle for better contact, and the 90° pivoting mounting plate makes installation fast and accurate. Bar hangers can fit onto T-Bar spline with additional slots and holes for special mounting methods if necessary.

D. JUNCTION BOX - ETL listed for through-branch circuit wiring and has four 1/2" KOs, one 3/4" KO and four Romex knockouts with true pry-out slots and strain clamps.

E. THERMAL PROTECTION - Standard thermal protection device guards against improper installation, overlampping and misuse of insulation material.



ITEM SELECTOR: (Please check the boxes below for the option desired)

TYPE	OPTION(S)	
<input type="checkbox"/> B25IC	<input type="checkbox"/> AIR SHUT	<input type="checkbox"/> WITH QUICK CONNECTS
	<input type="checkbox"/> AT	<input type="checkbox"/> W