

# Linear Convectector Heater

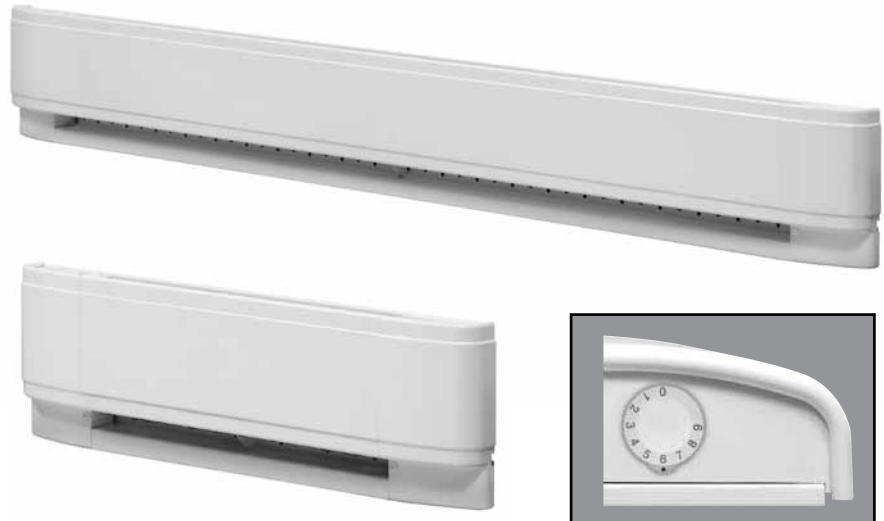
Revolutionary design provides a sleek, compact heater profile, while improving heater performance, reducing energy consumption, and improving comfort.

## Features

- Faster heating of the room than a conventional baseboard due to rapid vertical laminar air flow, directing heat to the ceiling, speeding dispersal of warm air into the center of the room
- Improved performance and reduced length through use of top heat discharge and new fin design
- Superior shark-fin blade design on a steel tubular element for improved heat transfer and longer life
- Discreet styling, reduced length and added versatility of placement provide more options when designing a room
- May be used with wall, or top mounted built-in thermostat (not included)
- Full length automatic overheat reset for safety

## Applications

- All residential applications, commercial offices, lobbies, washrooms



Top mounted thermostat can be installed on either side of LC (optional)

## Specifications

<b>Voltage</b>	120, 208, 240, 347V
<b>Wattage</b>	Sizes ranging from 500W to 2500W
<b>Colour</b>	White or Almond
<b>Finish</b>	Specially-formulated epoxy / polyester powder coating is environmentally friendly, and resists fading and abrasion.
<b>Construction</b>	Robust, 20 gauge steel construction.
<b>Heating Element</b>	A nickel chromium element is totally enclosed within a steel sheath, providing superior life expectancy and resistance to rust. Shark-fin shaped aluminum fins are firmly staked in an upright position to provide directional wicking for top discharge heat transfer.
<b>Installation</b>	Easily removed front caps, knock-outs on both sides of the convectector, and pre-stamped mounting holes make installation easy.
<b>Warranty</b>	Ten year element warranty. One year warranty on complete unit. CSA certified for use in Canada and the U.S.



**Ordering Guide**

Cat. No.	Watts	Volts	BTU	Length (mm/in.)	Weight (kg/lbs.)
LC2005W11	500	120	1706	508/20	1.7/3.75
LC2005W21	500	208	1706	508/20	1.7/3.75
LC2005W31	500/375	240/208	1706/1280	508/20	1.7/3.75
LC2005W51	500	347	1706	508/20	1.7/3.75
LC2507W11	750	120	2559	635/25	2/4.40
LC2507W21	750	208	2559	635/25	2/4.40
LC2507W31	750/563	240/208	2559/1919	635/25	2/4.40
LC2507W51	750	347	2559	635/25	2/4.40
LC3010W11	1000	120	3412	762/30	2.3/5.00
LC3010W21	1000	208	3412	762/30	2.3/5.00
LC3010W31	1000/750	240/208	3412/2559	762/30	2.3/5.00
LC3010W51	1000	347	3412	762/30	2.3/5.00
LC3512W11	1250	120	4265	889/35	2.9/6.40
LC3512W21	1250	208	4265	889/35	2.9/6.40

Cat. No.	Watts	Volts	BTU	Length (mm/in.)	Weight (kg/lbs.)
LC3512W31	1250/938	240/208	4265/3199	889/35	2.9/6.40
LC3512W51	1250	347	4265	889/35	2.9/6.40
LC4015W11	1500	120	5118	1016/40	3.2/7.50
LC4015W21	1500	208	5118	1016/40	3.2/7.50
LC4015W31	1500/1125	240/208	5118/3839	1016/40	3.2/7.50
LC4015W51	1500	347	5118	1016/40	3.2/7.50
LC5020W21	2000	208	6824	1270/50	3.7/8.20
LC5020W31	2000/1500	240/208	6824/5120	1270/50	3.7/8.20
LC5020W51	2000	347	6824	1270/50	3.7/8.20
LC6025W21	2500	208	8530	1524/60	4.4/9.70
LC6025W31	2500/1875	240/208	8530/6398	1524/60	4.4/9.70
LC6025W51	2500	347	8530	1524/60	4.4/9.70

Note: 1) Standard colour is White.  
2) To order Almond omit "W" in Cat. No.

**Control Options (field installed)**

**Thermostat Kits**

Cat. No.	Description	Rating
DTK-SP	Single pole built-in thermostat kit (adjustable)	120-240V, 17A 347V, 14A
DTK-DP	Double pole built-in thermostat (adjustable)	120-240V, 17A 347V, 11A
DTKT-SP	Single pole built-in tamperproof thermostat kit	120-240V, 17A 347V, 11A
DTKT-DP	Double pole built-in tamperproof thermostat kit	120-240V, 25A 347V, 11A

Note: Each adjustable kit contains white and almond control knobs and hardware

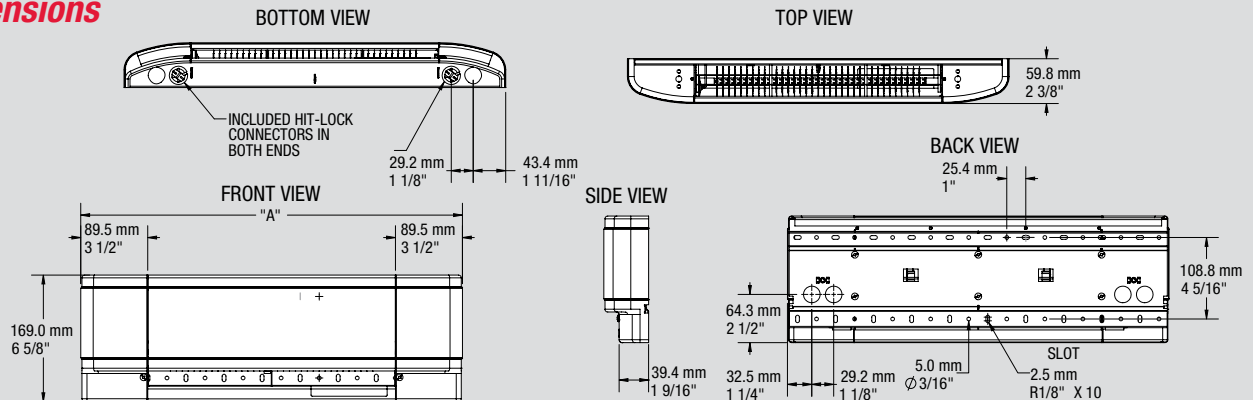
**Relays - Mechanical**

Cat. No.	Description	Rating
BLLVC11	Low voltage relay & transformer kit	120V, 22A
BLLVC21	Low voltage relay & transformer kit	208V, 22A
BLLVC31	Low voltage relay & transformer kit	240V, 22A
BLLVC51	Low voltage relay & transformer kit	347V, 17A
BLLVD	Low voltage relay less transformer kit	120/208/240, 22A 347V, 17A
BUS2	Disconnect switch, double pole	277V, 25A

**Relays - TRIAC**

CCT-06-1-S	Without transformer	600V, 6A
CCT-15-1-S	Without transformer	347V, 15A
CCT-15-1-S-T	Comes with transformer	347V, 15A
CCT-15-1-S-T240	Comes with transformer	208/240V, 15A

**Dimensions**



"A" - see Length in Ordering Guide

NOTE: ALL KNOCK OUTS ARE 7/8" FOR 1/2" CONDUIT