



The Corrlok System Connectors

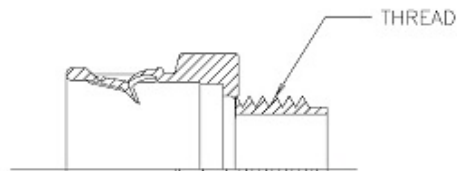
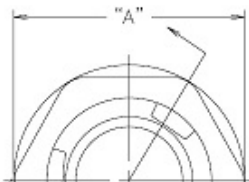


# TYPE - CF Straight IP65

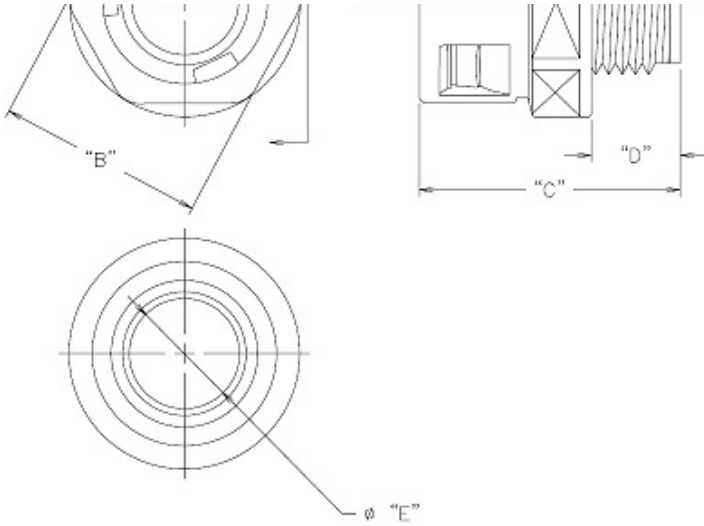


[Contact your local Sales Representative](#)  
[Click Here for Printable Version](#)

				NPT	Threaded	Fittings			
Cat #	US Trade Size	MM	NW	Thread Size	Unit Pack	Part #	Standard Carton	Part #	List Price Per 100 Pcs.
CF-140	1/4"	10	7	PG-7	1	90199	-	-	\$242.00
CF-516	5/16"	12	10	PG-9	1	90170	-	-	\$242.00
CF-10	3/8"	16	12	1/2" NPT	25	90201	100	90202	\$252.00
CF-11	1/2"	20	17	1/2" NPT	25	90221	100	90222	\$263.00
CF-12	3/4"	25	23	3/4" NPT	25	90241	50	90242	\$420.00
CF-13	1"	32	29	1" NPT	10	90261	30	90262	\$549.00
CF-14	1-1/4"	40	36	1-1/4" NPT	5	90281	20	90282	\$897.00
CF-15	1-1/2"	50	48	1-1/2" NPT	2	90301	10	90302	\$1,060.00



Cat #	U.S. Trade Size	Thread Size	A	B	C	D	E
CF-140	1/4"	PG-7					
CF-516	5/16"	PG-9					
CF-10	3/8"	1/2" NPT					
CF-11	1/2"	1/2" NPT					
CF-12	3/4"	3/4" NPT					
CF-13	1"	1" NPT					
CF-14	1-1/4"	1-1/4" NPT					
CF-15	1-1/2"	1-1/2" NPT					



CF-140	1/4"	PG-7					
CF-516	5/16"	PG-9					
CF-10	3/8"	1/2" NPT	.985	.815	1.380	.500	.495
CF-11	1/2"	1/2" NPT	1.155	1.060	1.510	.500	.585
CF-12	3/4"	3/4" NPT	1.525	1.410	1.680	.540	.745
CF-13	1"	1" NPT	1.730	1.565	1.780	.540	1.030
CF-14	1-1/4"	1-1/4" NPT	2.070	1.975	2.225	.730	1.325
CF-15	1-1/2"	1-1/2" NPT	2.675	2.565	2.350	.700	1.545

**TYPE - CF Straight IP65**

IP 65 is the equivalent to NEMA 4 and can withstand spraying water from entering.

**Plastic Used:** NYLON [See the Chemical Resistance Guide](#)

High Mech. Strength	Listed For Direct Burial	Halogen Free	Low Fire Hazard	Accepts Standard Liquidtight Fittings	Self Extinguish	EMI/RFI Shielding	Oil Resistance	Acid Resistance

[Packaging, Disclaimer and Warranty](#)

® Electri-Flex Company 1-800-323-6174

[Privacy](#) [Terms](#)