

EL7RICA

6" Line Voltage Remodel Housing-Type IC

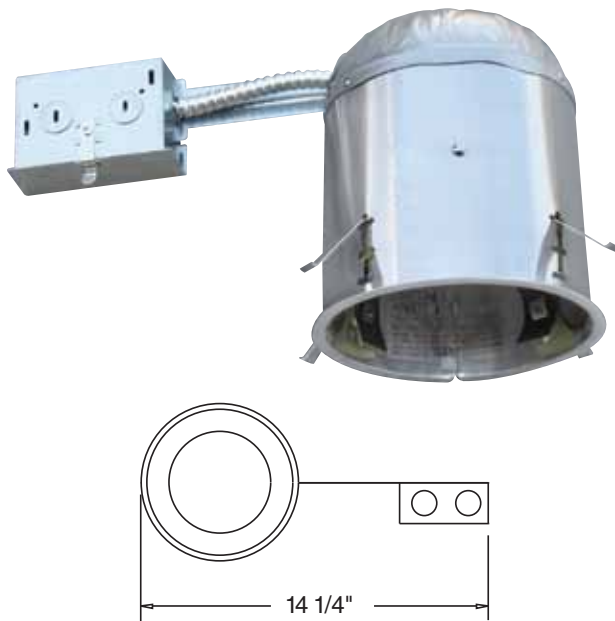
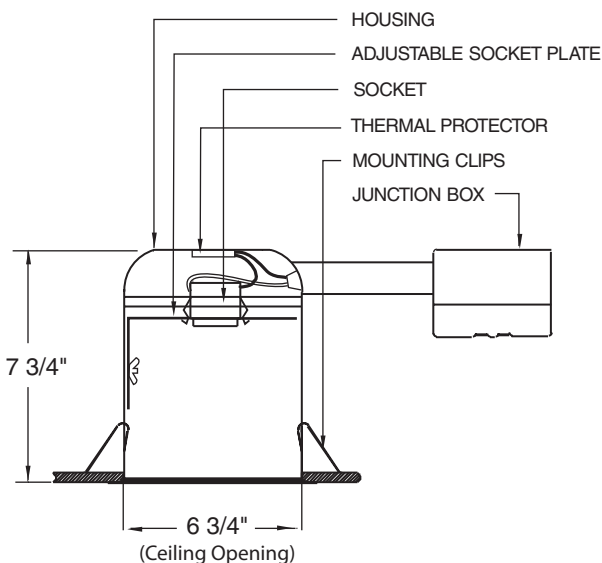
PROJECT INFORMATION:

Project Name: _____

Fixture Type: _____

Date: _____

DIMENSIONS



PRODUCT SPECIFICATIONS

Housing Features: For use in existing insulated ceilings. Integral thermal protector guards against improper lamping. Single wall construction. Adjustable socket bracket allows the use of different lamp types and sizes as well as proper and consistent lamp positioning.

EL7RICA is for use in insulated ceilings.

EL7RICA housing meets restricted air flow requirements (Per ASTM-E283 Standards).

Lamp: 120V, 75W max, A19 / TB19 base socket. 120V, 90W max with ELM300W trims. See page trims for lamp tape and routing.

Lamp Holder: Medium base socket.

Trim Ring: Polycarbonate trim ring, metal trim ring or flanged design to conceal ceiling cut-out.

EL7RICA meets California Title 24 requirements.

INSTALLATION

Junction Box: Pre-wired junction box provided with 1/2" and 3/4" knockout through branch wiring, maximum (8) NO. 12AWG branch circuit conductors (4 in, 4 out). Junction box provided with removable access plates.

Mounting: Four remodel clips secure housing and accommodate various ceiling thickness.

Labels:

- U.L. listed for damp locations
- U.L. listed for feed through
- U.L. listed for direct contact with insulation

CATALOG NUMBER

Example: EL7RICA - ELA101B

See trims page for variety of trims available.

2042 East Vernon Avenue, Vernon, CA 90058 • Tel: (323) 231-2600 Fax: (323) 231-3200 • www.elcolighting.com

© ELCO LIGHTING 2012 All Rights Reserved. Rev. July 2012. ELCO Lighting reserves the right to make specification and design changes without notice.

ELCO
LIGHTING

