

EL71C EL71CA

6" Line Voltage Housing Type IC
For Use in Insulated Ceilings

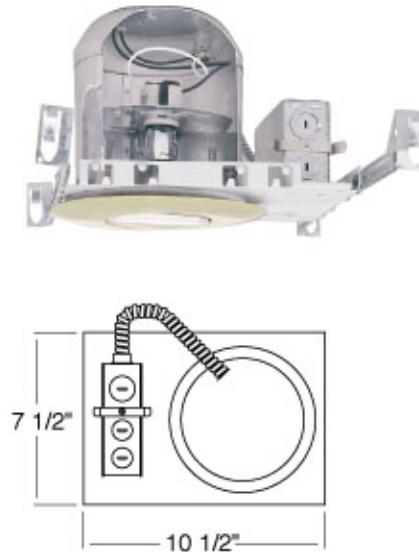
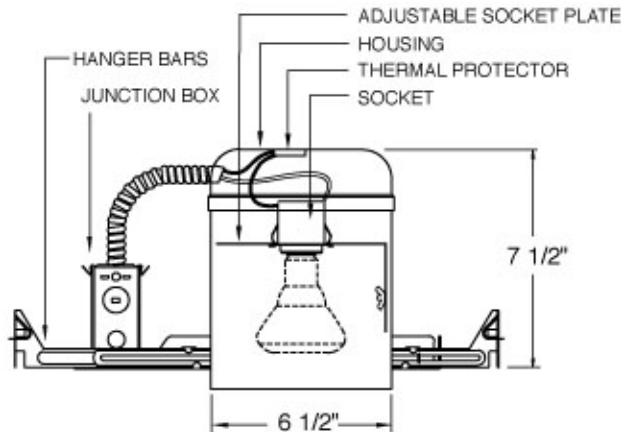
PROJECT INFORMATION:

Project Name: _____

Fixture Type: _____

Date: _____

DIMENSIONS



PRODUCT SPECIFICATIONS

Housing Features: For use in insulated ceilings. Integral thermal protector guards against improper lamping. Single wall construction

The EL71CA housings meets restricted air flow requirements.

Adjustable socket bracket allows the use of different lamp types and sizes as well as proper and consistent lamp positioning,

Lamp: 120V, 90W Maximum

Lamp Holder: Medium base socket

Trim Ring: Polycarbonate trim ring, metal trim ring or flanged design to conceal ceiling cut-out.

INSTALLATION

Junction Box: Pre-wired, oversized junction box UL/CUL listed for through-branch wiring, maximum (8) No.12 AWG 90°C branch circuit conductors (4 in, 4 out) Junction box provided with removable access plates.

Mounting Frame: Stamped steel material and painted for corrosion resistance.

Mounting: Hanger bars span 24" joists and can be repositioned 90 degrees.

Labels:

- U.L. listed for damp locations
- U.L. listed for feed through
- U.L. listed for direct contact with insulation

CATALOG NUMBER

Example: EL71C - ELM30W

See trims page for variety of trims available

2042 East Vernon Avenue, Vernon, CA 90058 • Tel: (323) 231-2600 Fax: (323) 231-3200 • www.elcolighting.com

© ELCO LIGHTING 2005 All Rights Reserved. Rev. Oct. 2005. ELCO Lighting reserves the right to make specification and design changes without notice.

ELCO
LIGHTING

ELCO Lighting®