

# EL5IC EL5ICA

5" Line Voltage Housing-Type IC  
For Use in Insulated Ceilings

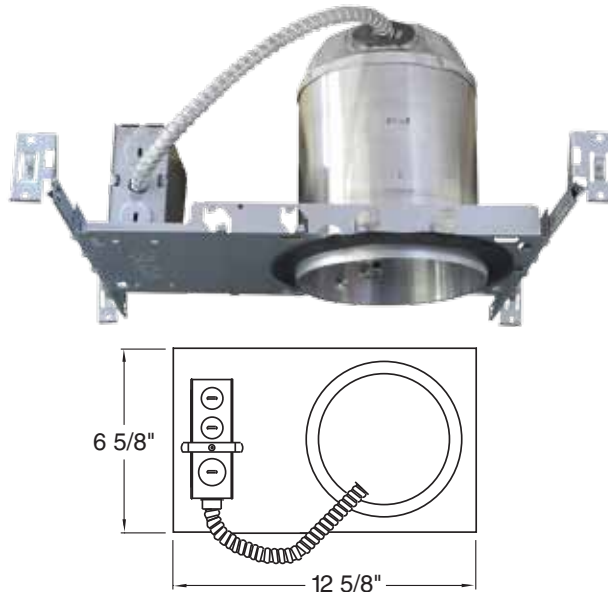
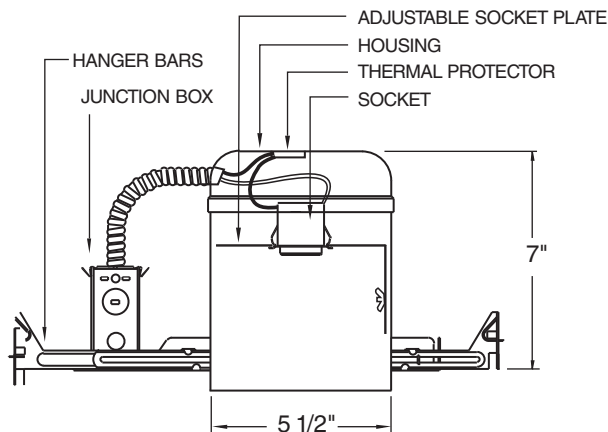
## PROJECT INFORMATION:

Project Name: \_\_\_\_\_

Fixture Type: \_\_\_\_\_

Date: \_\_\_\_\_

## DIMENSIONS



## PRODUCT SPECIFICATIONS

**Housing Features:** For use in insulated ceilings. Integral thermal protector guards against improper lamping. Single wall construction. Housing is adjustable to accommodate up to 1 1/4" thick ceilings.

The **EL5IC & EL5ICA** for use in insulated ceilings.

The **EL5ICA** housing meets restricted air flow requirements (Per ASTM E-283 standards).

Adjustable socket bracket allows the use of different lamp types and sizes as well as proper and consistent positioning.

**Lamp:** 120V, 75W Maximum.

**Lamp Holder:** Medium base socket.

**Trim Ring:** Polycarbonate trim ring, metal trim ring, designed to conceal ceiling cut-out.

**EL5ICA** complies with California Title 24, IECC and Washington state Energy code requirements (as low efficacy IC, Airtight luminaire).

See trim pages for a list of 5" trims.

## INSTALLATION

**Junction Box:** Pre-wired junction box provided with 1/2" and 3/4" knockout. U.L. listed/C.U.L. listed: for through branch wiring, maximum (8) No. 12 AWG branch circuit conductors (4 in, 4 out). Junction box provided with removable access plates.

**Mounting:** Hanger bars span 24" joists and can be repositioned 90 degrees.

**Mounting Frame:** Stamped steel material and painted for corrosion resistance.

**Labels:**

- U.L. listed for damp locations.
- U.L. listed for feed through.
- U.L. listed for direct contact with insulation.

## CATALOG NUMBER

**Example:** EL5ICA - ELM530W

See trim page for variety of trims available

2042 East Vernon Avenue, Vernon, CA 90058 • Tel: (323) 231-2600 Fax: (323) 231-3200 • www.elcolighting.com

© ELCO LIGHTING 2012 All Rights Reserved. Rev. March 2012 ELCO Lighting reserves the right to make specification and design changes without notice.

**ELCO**  
LIGHTING

