

4" Housings for 12V Bi-Pin MR16 LED Lamp



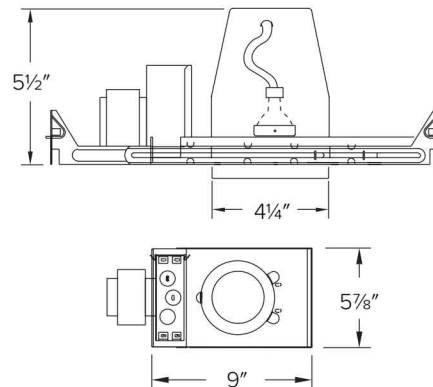
EL1499LDICA
Magnetic Transformer

EL1499LDICEA
Electronic Transformer

4" New Construction

IC Airtight for Insulated Ceilings

Features GU5.3 Bi-Pin socket for use with Bi-Pin LED MR16 lamps.
For New Construction installation.



INPUT VOLTAGE 120V AC

TRANSFORMER Step-down 120V to 12V included

WATTAGE 14W Max

CAPTIVE HANGER BARS Span 24". Can be repositioned at 90° Includes Real Nail

5 1/2" HEIGHT Allows for use in 2x6 Construction
ADJUSTABLE HOUSINGS Accommodates up to 1 1/4" Ceiling thickness

AIRFLOW REQUIREMENTS Meets restricted airflow (Per ASTM E-283)

DAMP LOCATION UL Listed

WET LOCATION UL Listed with Shower Trims

DIRECT CONTACT WITH INSULATION UL Listed

FEED THROUGH UL Listed



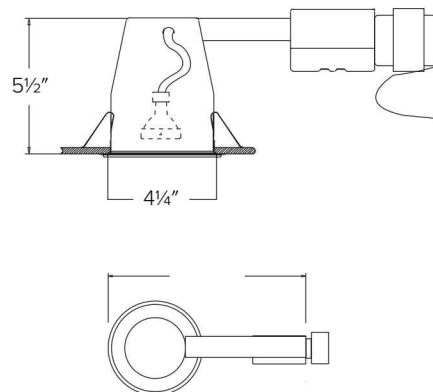
EL1499LDRICA
Magnetic Transformer

E1499LDRICEA
Electronic Transformer

4" Remodel

IC Airtight for Insulated Ceilings

Features GU5.3 Bi-Pin socket for use with Bi-Pin LED MR16 lamps.
For Remodel installation.



INPUT VOLTAGE 120V AC

TRANSFORMER Step-down 120V to 12V included

WATTAGE 14W Max

5 1/2" HEIGHT Allows for use in 2x6 Construction
ADJUSTABLE HOUSINGS Accommodates up to 1 1/4" Ceiling thickness

AIRFLOW REQUIREMENTS Meets restricted airflow (Per ASTM E-283)

DAMP LOCATION UL Listed

WET LOCATION UL Listed with Shower Trims

DIRECT CONTACT WITH INSULATION UL Listed

FEED THROUGH UL Listed

Bi-Pin MR16 LED Lamp

MR16LD

12V Power, 90+ CRI, Dimmable
500lm
3000K
7W



SORAA
Simply Perfect Light™



NOTE:

Major lamp manufacturers 12V Bi-Pin MR16 LED Lamps can also be used in our 3" Housings.