

Series G Frame Size GJ, 250 Amperes

### Line and Load Terminals

GJ-Frame circuit breakers include Cu/Al terminals T250FJ as standard. When optional copper only terminals are required, order by catalogue number.

Table 18. Line and Load Terminals

Maximum Breaker Amperes	Terminal Body Material	Wire Type	Metric Wire Range mm <sup>2</sup>	AWG Wire Range/Number of Conductors	Catalogue Number
250	Stainless Steel	Cu	25 – 185	#4 – 350 (1)	T250FJ ①②
250	Aluminium	Cu/Al	25 – 185	#4 – 350 (1)	TA250FJ ①

① Single terminals individually packed.  
② Standard line and load terminals.

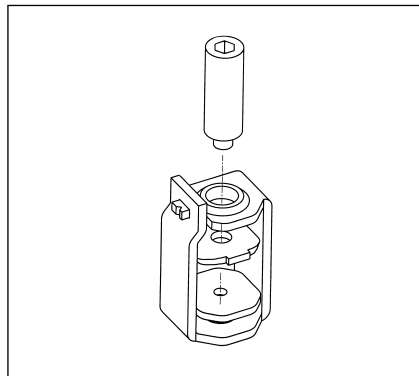


Figure 4. Standard Pressure Type Terminal T250FJ

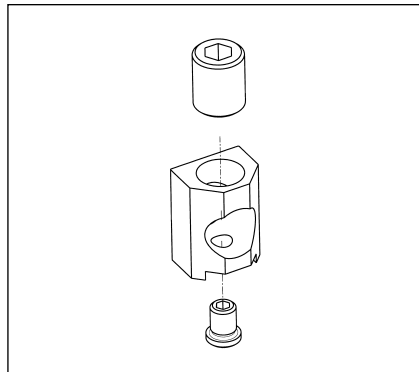


Figure 5. Standard and Optional Pressure Type Terminal TA250FJ/TC250FJ

### Control Wire Terminal Kit

For use with aluminium or copper terminals only.

Table 19. Control Wire Terminal Kit

Description	Catalogue Number
Package of 14 (Priced Individually)	FJCWTK

### Base Mounting Hardware

Base mounting hardware is included with a circuit breaker or moulded case switch.

Table 20. Terminal Shields IP30

Location	Number of Poles	Catalogue Number
Line or Load	3	FJTS3K
	4	FJTS4K

Table 21. Interphase Barriers

Number of Poles	Catalogue Number
3 (pack of 2)	FJIPBK
4 (pack of 3)	FJIPBK4

### End Cap Kit

End cap kits are used on GJ-Frame breaker line side to connect bus bar or similar electrical connections. Includes hardware.

Table 22. Kit Catalogue Number — for Line or Load

Number of Poles	Catalogue Number
3	FJ3RTWK
4	FJ4RTWK

**Note:** Add suffix "M" to Breaker catalogue number to include End Cap kit or order separately using above catalogue numbers.

### Terminal Extensions

Table 23. Terminal Extensions

Number of Poles	Catalogue Number
3	FJTES3
4	FJTES4

### Plug-in test kit



Digitrip 310+ Test Kit



Digitrip 310+ Test Kit Shown with GJ MCCB



GJ Digitrip 310+ Electronic Trip Unit

Table 24. Plug-in test kit

Voltage	Catalogue Number
120 Vac	MTST120V
230 Vac	MTST230V

### Terminal Spreaders

Table 25. Terminal Spreaders

Number of Poles	Catalogue Number
3	FJTEW3
4	FJTEW4

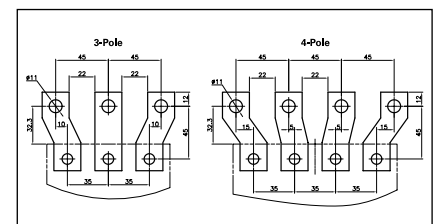


Figure 6. Terminal Spreaders