

6.3

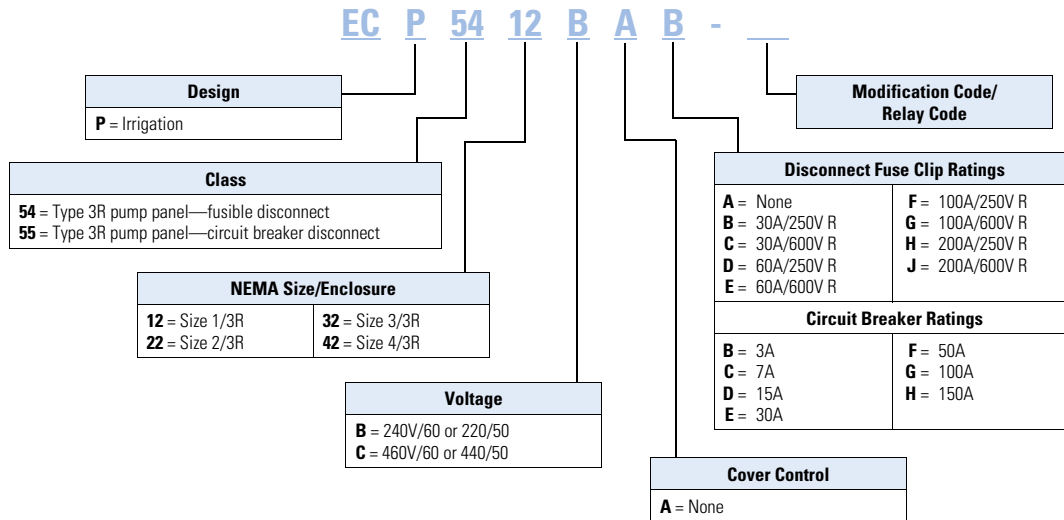
Pump Panels

Irrigation Pump Panels

Catalog Number Selection

Irrigation Pump Panel

6



Pump Panels—Interchangeable Heater Overload

Product Selection

Standard ECP54 controllers have a HAND/OFF/AUTO selector switch and START

pushbutton mounted on the enclosure and are wired as illustrated on **Page V10-T6-22**.

Class ECP54—Combination Irrigation Pump Panel—Fusible Disconnect

NEMA Size	Motor Voltage ①	Max. hp 50/60 Hz	Fuse Clip Rating ②		Standard Width Catalog Number
			Amperes	Volts	
1	230	7-1/2	30	250	ECP5412BAB
	460	10		600	ECP5412CAC
	—	—	Not installed	Not installed	ECP5412AAA
2	230	15	60	250	ECP5422BAD
	460	25		600	ECP5422CAE
	—	—	Not installed	Not installed	ECP5422AAA
3	230	30	100	250	ECP5432BAF
	460	50		600	ECP5432CAG
	—	—	Not installed	Not installed	ECP5432AAA

For Other Volts and Hertz Applications

For other than listed volts and hertz, select required controller by catalog number and replace the magnet coil alpha designation, eighth digit in catalog number with proper code suffix from the table below.

Example: For 600V 60 Hz coil, change ECP5412BAB to ECP5412DAB.

Coil Voltage

Coil Volts and Hertz	Suffix Code
120/60 or 110/50	A
240/60 or 220/50	B
480/60 or 440/50	C
600/60 or 550/50	D
208/60	E

Fuse Clips

C351—Fuse Clip Selection—Three-Pole (Three Fuses)

NEMA Size	Motor Voltage	Fuse Clip Rating Amperes	Volts	Fuse Clip Kit for Field Installation in Non-Fusible Starter	
				For Non-Rejection Type Fuses Catalog Number	For Use with "R" Rejection Type Fuses Catalog Number
1	200/230	30	250	C351KC21	C351KC21R
	460-575		600	C351KD22-61	C351KD22-61R
2	200	60	250	C351KD22-61	C351KD22-61R
	230			C351KD22-61	C351KD22-61R
	460-575			C351KD62	C351KD62R
3	200	100	250	C351KE23-63	C351KE23-63 ③
	230			C351KE23-63	C351KE23-63 ③
	460-575		600	C351KE23-63	C351KE23-63 ③

Notes

Starters do not include heater packs. Select one carton of three heater packs. For heater pack selection, see **Tab 15**.

① Dual element fuse ratings.

② Class R fuse clips.

③ Fuse clip "R" rejection members for use with Class R fuses are supplied loose both in fuse clip kits and when fuse clips are factory installed.

Pump Panels—Solid-State Overload

Product Selection

Class ECP54—Combination Irrigation Pump Panel with Solid-State Overload—Fusible Disconnect ^①

Motor Voltage	NEMA Size	Maximum hp	Fuse Clip Amperes	Trip Range	Catalog Number
240V	1	1	30	1.0–5.0	ECP5412BAB-R63/B
		3		4–20	ECP5412BAB-R63/C
		7-1/2		9–45	ECP5412BAB-R63/D
	2	10	60	9–45	ECP5422BAD-R63/D
		15			ECP5422BAD-R63/D
	3	25	100	20–100	ECP5432BAF-R63/E
480V	1	1	30	1.0–5.0	ECP5412CAC-R63/B
		2		ECP5412CAC-R63/B	
		5		4–20	ECP5412CAC-R63/C
		10		ECP5412CAC-R63/C	
	2	20	60	9–45	ECP5422CAE-R63/D
		25			ECP5422CAE-R63/D
	3	50	100	20–100	ECP5432CAG-R63/E

Class ECP55—Combination Irrigation Pump Panel with Solid-State Overload—Circuit Breaker ^①

Motor Voltage	NEMA Size	Maximum hp	Breaker Rating	Trip Range	Catalog Number	
240V	1	1	7	1.0–5.0	ECP5512BAC-R63/B	
		3		15	4–20	ECP5512BAD-R63/C
		7-1/2		30	9–45	ECP5512BAE-R63/D
	2	10	50	9–45	ECP5522BAF-R63/D	
		15		20–100	ECP5522BAF-R63/E	
	3	25	100	20–100	ECP5532BAG-R63/E	
4	50		35–175	ECP5532BAH-R63/F		
480V	1	1	30	1.0–5.0	ECP5512CAB-R63/B	
		2		ECP5512CAC-R63/B		
		5		4–20	ECP5512CAD-R63/C	
		10		ECP5512CAE-R63/C		
	2	20	60	9–45	ECP5522CAE-R63/D	
		25			ECP5522CAF-R63/D	
	3	50	100	20–100	ECP5532CAG-R63/E	
	4	100	150	28–135 ^{②③}	ECP5532CAG-R63/F	

Note

^① Motor FLA based on NEC Table.

^② NEMA Size 4 starter available with 30–150A panel mounted CTs and 1–5A C440 overload relay (C440A1A005SELAX or C440A2A005SELAX).

^③ NEMA Size 4 direct mount contactor/overload (28–135A), available February 2012.

Class ECP55—Combination Irrigation Pump Panel—Circuit Breaker

Motor Voltage	NEMA Size	Maximum hp	Breaker Rating	Catalog Number
240V	1	1	7	ECP5512BAC
		3	15	ECP5512BAD
		7-1/2	30	ECP5512BAE
	2	10	50	ECP5522BAF
		15	70	ECP5522BAW
	3	25	100	ECP5532BAG
	4	50	150	ECP5542BAH
480V	1	1	3	ECP5512CAB
		3	7	ECP5512CAC
		5	15	ECP5512CAD
		10	30	ECP5512CAE
	2	10	30	ECP5522CAE
		25	50	ECP5522CAF
	3	50	100	ECP5532CAG
	4	100	175	ECP5542CAN

Overload Relays

Freedom Solid-State Overload Relays

NEMA Size	Full Load Current Adjustment Range (A)	Three-Phase without Ground Fault	Three-Phase with Ground Fault
		Auto/Manual Reset Overload Selectable Class 10/20/30	Auto/Manual Reset Overload Selectable Class 10/20/30
00	0.33–1.65 ①	R63/A	R64/A
	1–5	R63/B	R64/B
	4–20	R63/C	R64/C
0 and 1	0.33–1.65 ①	R63/A	R64/A
	1–5	R63/B	R64/B
	4–20	R63/C	R64/C
	9–45	R63/D	R64/D
2	9–45	R63/D	R64/D
3	20–100	R63/E	R64/E
4	28–135 ②③	R63/F	R64/F
5	60–300 ④	R63/G	R64/G
6	120–600 ⑤	R63/H	R64/H

Notes

- ① Not UL Listed.
 ② NEMA Size 4 starter available with 30-150A panel mounted CTs with 1–5A C440 overload relay (C440A1A005SELAX or C440A2A005SELAX).
 ③ NEMA Size 4 direct mount contactor/overload (28–135A), available February 2012.
 ④ NEMA Size 5 starter available with 60–300A panel mounted CTs. Starter as an assembled unit with 1–5A C440 overload relay (C440A1A005SELAX or C440A2A005SELAX).
 ⑤ NEMA Size 6 starter available with 120–600A panel mounted CTs. Starter as an assembled unit with 1–5A C440 overload relay (C440A1A005SELAX or C440A2A005SELAX).

Features:

- Self powered
- Phase loss protection
- Current adjustment knob
- ±1% repeat accuracy
- 1NO and 1NC isolated contacts
- Predictive indication
- Enhanced protection and monitoring
- Communication capabilities