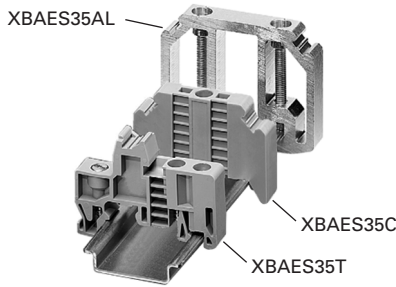


**End Stops**

**End Stops**

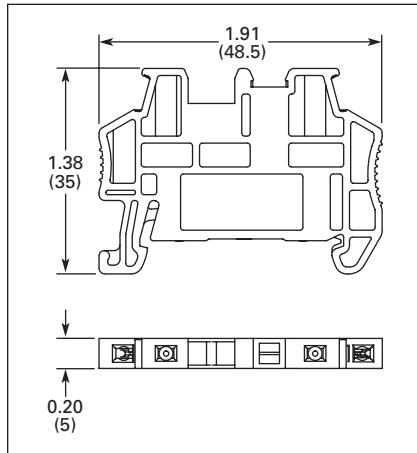


**Snap-On End Stops**

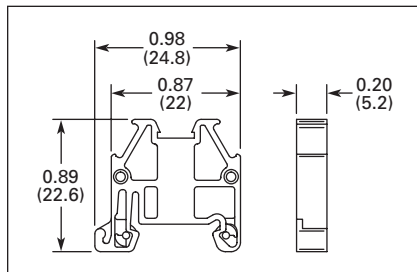
Snap-on end stops for 35 mm and 15 mm DIN rails can be fitted with blank marker strips and adjustable terminal strip markers, parking facility for bridges and testing accessories.

**Table 41. Snap-On End Stops**

Std. Pack	Size	Catalog Number	Price U.S. \$
50	35 mm	XBAES35N	0.75
50	15 mm	XBAES15N	0.60



**Figure 9. XBAES35N Approximate Dimensions in Inches (mm)**



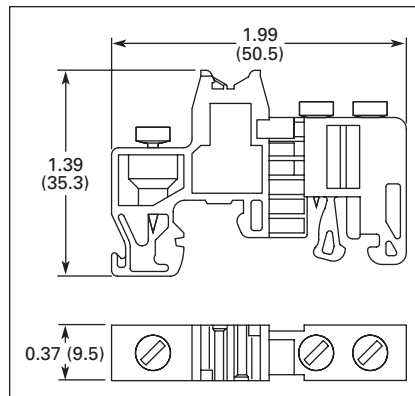
**Figure 10. XBAES15N Approximate Dimensions in Inches (mm)**

**Universal End Stops**

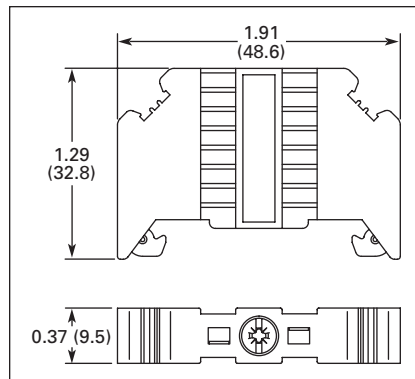
Screwed on, labeling with blank marker strips and terminal strip markers.

**Table 42. Universal End Stops**

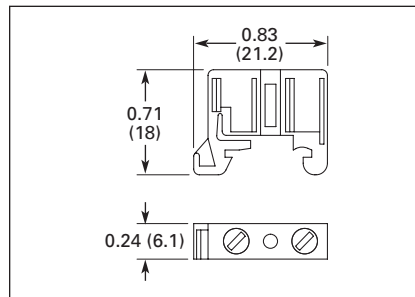
Std. Pack	Size	Catalog Number	Price U.S. \$
50	35 mm	XBAES35T	0.90
50	35 mm	XBAES35C	1.20
50	15 mm	XBAES15C	0.70



**Figure 11. XBAES35T Approximate Dimensions in Inches (mm)**



**Figure 12. XBAES35C Approximate Dimensions in Inches (mm)**



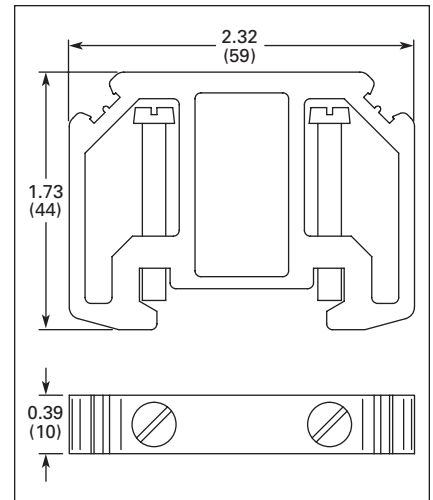
**Figure 13. XBAES15C Approximate Dimensions in Inches (mm)**

**Aluminum End Stops**

Snaps on, for end support of 50 – 240 mm terminal blocks, labeling with XBMZB10.

**Table 43. Aluminum End Stops**

Std. Pack	Catalog Number	Price U.S. \$
10	XBAES35AL	6.50



**Figure 14. XBAES35AL Approximate Dimensions in Inches (mm)**

**Table 44. Cross-Reference of Terminal Block Marking, End Stops**

Catalog Number	XBMKLM2	XBMGLMA	XBMUBE
XBAES35N	X		
XBAES35T		X	X