

FIRE-GUARD

Product Selection

Table 4-33. Type CH 3/4-Inch (19.1 mm) Wide FIRE-GUARD AFCI Circuit Breakers

Poles	Ampere Rating	Configuration	Catalog Number	Price U.S. \$
Single-Pole 10 kAIC	15	Branch Feeder AFCI	CH115AF	
		Branch Feeder AFCI with GFCI	CH115AFGF	
		Branch Feeder AFCI in Clamshell Package	CH115AFCS	
	20	Branch Feeder AFCI	CH120AF	
		Branch Feeder AFCI with GFCI	CH120AFGF	
		Branch Feeder AFCI in Clamshell Package	CH120AFCS	
Double-Pole 10 kAIC ①②	15	Branch Feeder AFCI Common Trip	CH215AF	
		Branch Feeder AFCI Independent Trip	CH215AFIT	
		Branch Feeder AFCI Common Trip	CH220AF	
	20	Branch Feeder AFCI Common Trip	CH220AF	
		Branch Feeder AFCI Independent Trip	CH220AFIT	
		Branch Feeder AFCI Independent Trip	CH220AFIT	

① Common trip refers to 2-pole 240 volt load application sourced by 120/240 Vac (See Figure 4-14).
 ② Independent trip refers to 2-pole shared neutral circuits (see Figure 4-13 and Figure 4-15).
 ③ Requires plug-on neutral loadcenter.

Table 4-34. Type BR 1-Inch (25.4 mm) Wide AFCI Circuit Breakers

Poles	Ampere Rating	Configuration	Catalog Number	Price U.S. \$
Single-Pole 10 kAIC	15	Branch Feeder AFCI	BR115AF	
		Branch Feeder AFCI with GFCI	BR115AFGF	
		Branch Feeder AFCI in Clamshell Package	BR115AFCS	
	20	Branch Feeder AFCI	BR120AF	
		Branch Feeder AFCI with GFCI	BR120AFGF	
		Branch Feeder AFCI in Clamshell Package	BR120AFCS	
Double-Pole 10 kAIC ④⑤	15	Branch Feeder AFCI Common Trip	BRL215AF	
		Branch Feeder AFCI Independent Trip	BRL215AFIT	
		Branch Feeder AFCI Common Trip	BRL220AF	
	20	Branch Feeder AFCI Common Trip	BRL220AF	
		Branch Feeder AFCI Independent Trip	BRL220AFIT	
		Branch Feeder AFCI Independent Trip	BRL220AFIT	

④ Common trip refers to 2-pole 240 volt load application sourced by 120/240 Vac (See Figure 4-14).
 ⑤ Independent trip refers to 2-pole shared neutral circuits (see Figure 4-13 and Figure 4-15).

Table 4-35. UL Classified Branch Feeder AFCIs

Poles	Ampere Rating	Configuration	Catalog Number	Price U.S. \$
Single-Pole	15	AFCI	CL115AF	
	20	AFCI	CL120AF	

Type CL 1-Inch Wide per Pole Classified Arc Fault Circuit Interrupters —
 Fit Square D HOMELINE®, GE, Siemens, Murray®, Thomas & Betts® and Crouse-Hinds® Loadcenters

Poles	Ampere Rating	Configuration	Catalog Number	Price U.S. \$
Single-Pole	15	AFCI	CL115AF	
	20	AFCI	CL120AF	

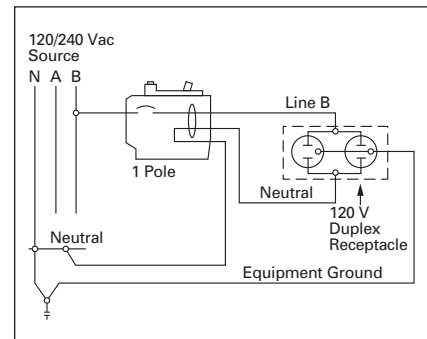


Figure 4-12. Single-Pole Single 120 Volt Load Application Sourced by 120/240 Vac

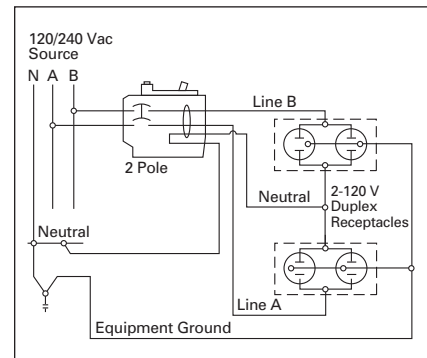


Figure 4-13. 2-Pole Shared Neutral with Multi-Duplex Receptacle Application

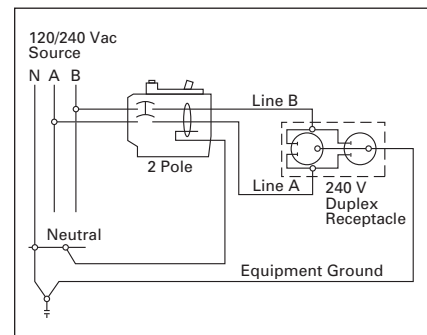


Figure 4-14. 2-Pole 240 Volt Load Application Sourced by 120/240 Vac

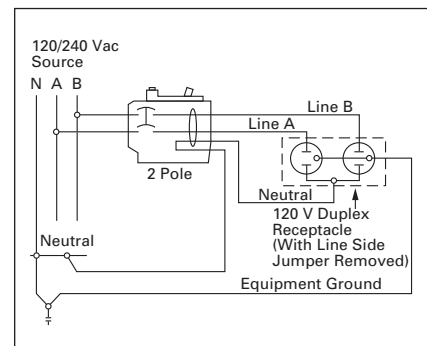


Figure 4-15. 2-Pole Shared Neutral with Duplex Receptacle Application

Discount Symbol 22CD