



Trip-Block ZM-PKZ2

Part no.
Article no.

ZM-25-PKZ2
045590



Powering Business Worldwide™

Delivery programme

Product range			Accessories: PKZ2 System - PRODUCT DISCONTINUATION IN 2012
Accessories			Trip blocks
			with overload release
Max. motor rating			
AC-3			
220 V 230 V 240 V			
220 V 230 V	P	kW	5.5
380 V 400 V 415 V			
380 V 400 V	P	kW	12.5
440 V	P	kW	12.5
500 V	P	kW	15
660 V 690 V			
660 V 690 V	P	kW	22
Rated uninterrupted current	I_u	A	25
Setting range			
Overload releases	I_r	A	16 - 25
Short-circuit releases	I_{rm}	A	200 - 350

Notes

Single-phasing sensitivity to IEC/EN 60947-4-1

Suitable for the protection of EEx e motors

PTB Certificate No.: 3.53-388.299

Extension to ATEX applied for

Overload releases, adjustable

$$I_r = 0.6 - 1.0 \times I_u$$

Adjustable short-circuit release

$$I_{rm} = 8.5 - 14 \times I_u$$


Factory set to $12 \times I_u$

NotesService factor (SF)

Set value I_r on the current scale, depending on the load factor

Calculate motor power in this range according to the rated operational current. Stated values to NEC Table 430 - 150.

Approved rating data

Devices for world markets IEC  UL/CSA

Notes

When using the M-...-PKZ2 for short-circuit protection of motors with heavy-duty starting, the rated operating current e must be oversized by the following factors in the course of the project engineering:

CLASS	Factor
5	1.0
10	1.0
15	1.22
20	1.41
25	1.58
30	1.73
35	1.89
40	2.0

Approvals

Product Standards

UL File No.

UL CCN

CSA File No.

CSA Class No.

UL 508; CSA-C22.2 No. 14; IEC60947-4-1; CE marking

E36332

NLRV

12528

3211-05

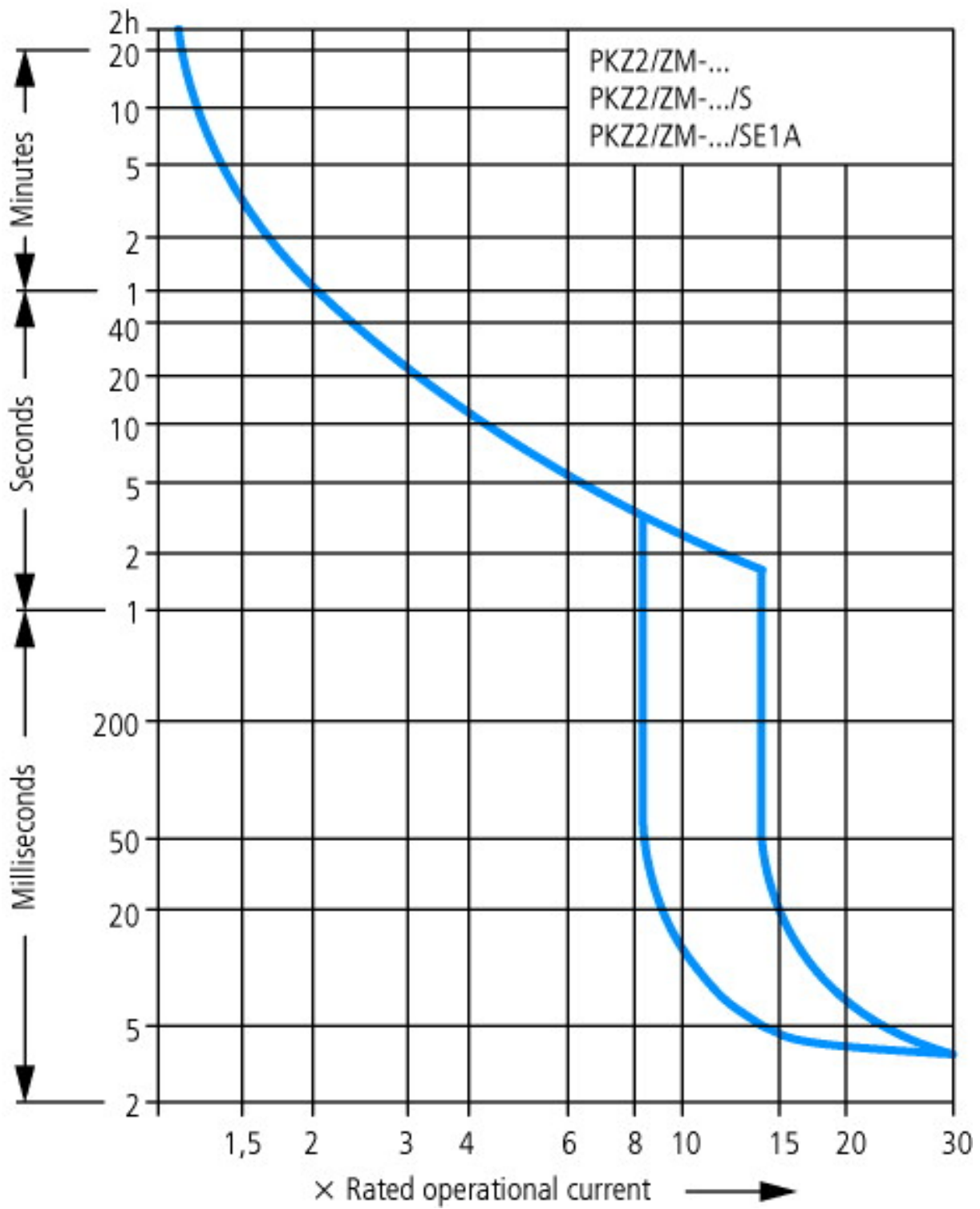
ZM-..-PKZ2, ZMR-..-PKZ2 trip blocks for motor protection

Setting range of overload releases		$x I_u$	0.6 - 1
Short-circuit releases		$x I_u$	8.5 - 14
Phase-failure sensitivity			IEC/EN 60947-1-1, VDE 0660 Part 102

Technical data ETIM 4.0

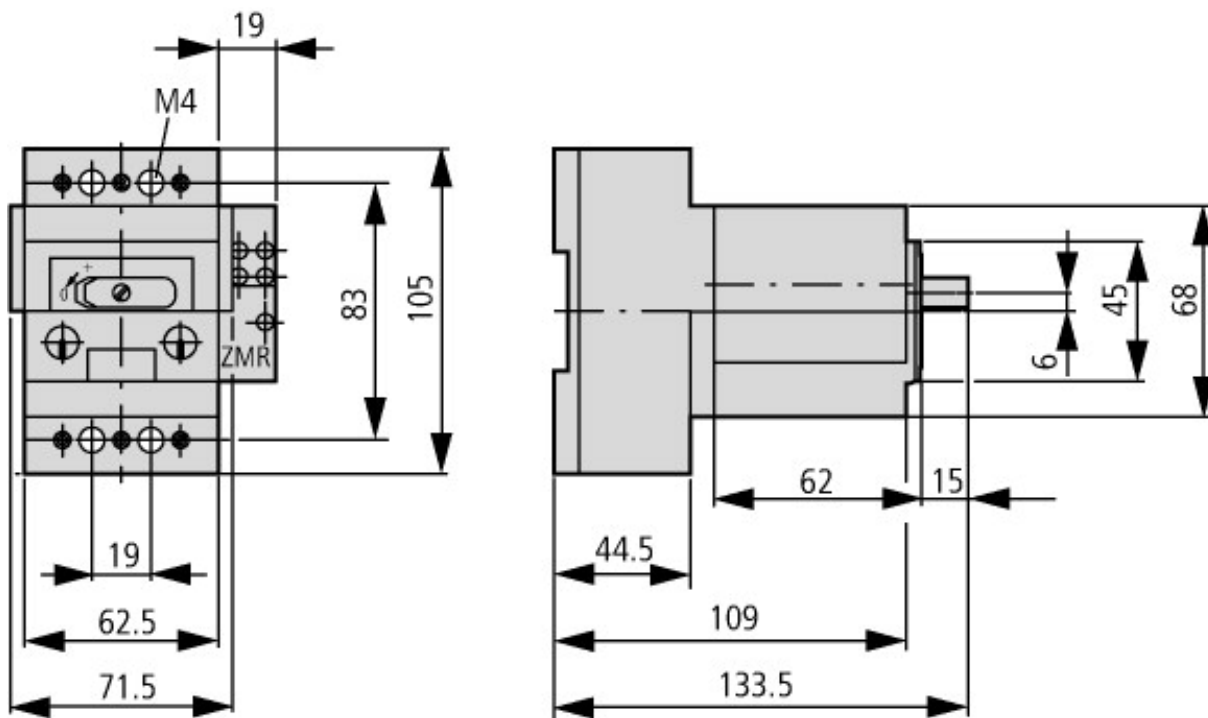
Final value of non-delayed short-circuit release setting range		A	350
Initial value of non-delayed short-circuit release setting range		A	200
Setting range of overload releases		A	25
Short-circuit release function			Non-delayed
Number of poles			3
Rated uninterrupted current I_u		A	25

Characteristics



Motor-protective circuit-breaker (high-capacity) compact starter tripping characteristic

Dimensions



PKZ2(Z)M-...

Additional product information (links)

AWA1280-0876 Motor-protective circuit-breaker

[AWA1280-0876 Motor-protective circuit-breaker](#)

AWB1210-1485 PKZ2 motor-protective circuit-breakers, overload monitoring of EEx e motors

[AWB1210-1485 PKZ2 motor-protective circuit-breakers, overload monitoring of EEx e motors](#)

Motor starters and "Special Purpose Ratings" for the North American market

http://www.moeller.net/binary/ver_techpapers/ver953en.pdf

Busbar Component Adapters for modern Industrial control panels

http://www.moeller.net/binary/ver_techpapers/ver960en.pdf