

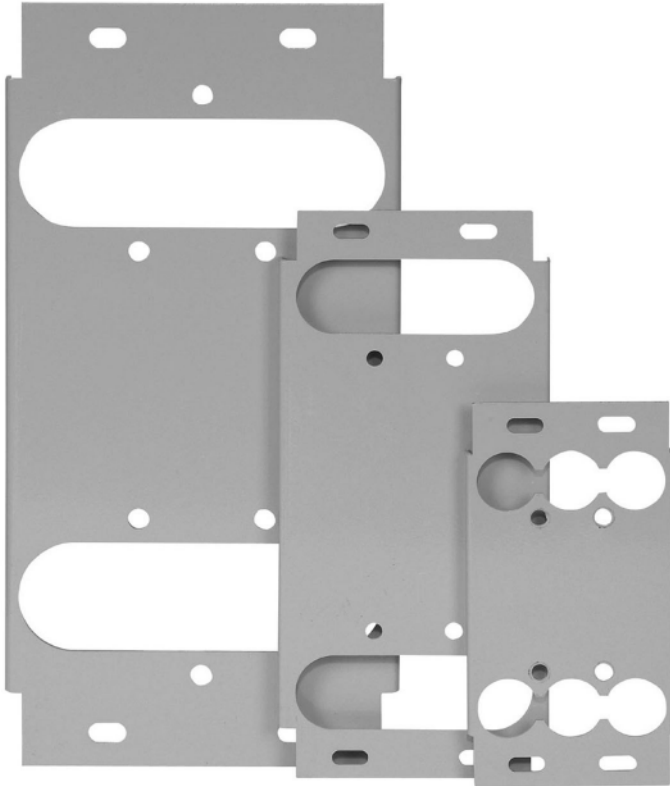


Cutler-Hammer

Cutler-Hammer® Series C® Plug-in Adapter Mounting Plate Dimensions

Technical Data TD01222002E

Eaton Circuit Breakers
Effective February 2008
New Information



Contents

Mounting Plates for Series C Plug-in Adapters with English Hardware	
Series C F-Frame	2
Series C J-Frame	2
Series C K-Frame	3
Series C L-Frame	3
Series C MDL-, N-Frame	4
Mounting Plates for Series C Plug-in Adapters with Metric Hardware	
Series C F-Frame (PAD3F)	5
Series C J-Frame (PAD3JD)	5
Series C K-Frame (PAD3K)	6
Series C L-Frame (PAD3L)	6

Mounting Plates for Domestic

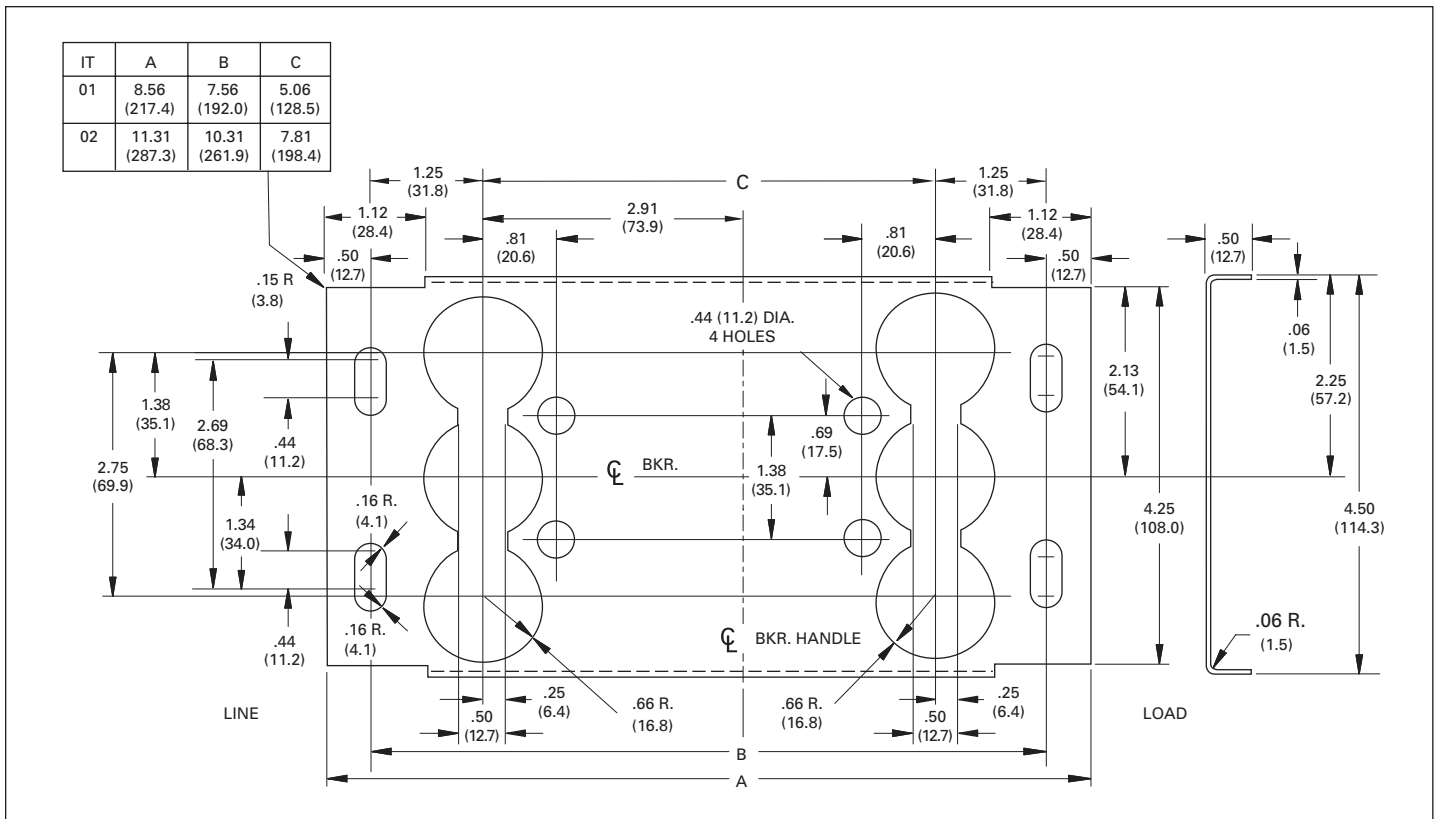


FIGURE 1. SERIES C F-FRAME, 3-POLE DIMENSIONS FOR PLUG-IN ADAPTER MOUNTING PLATE

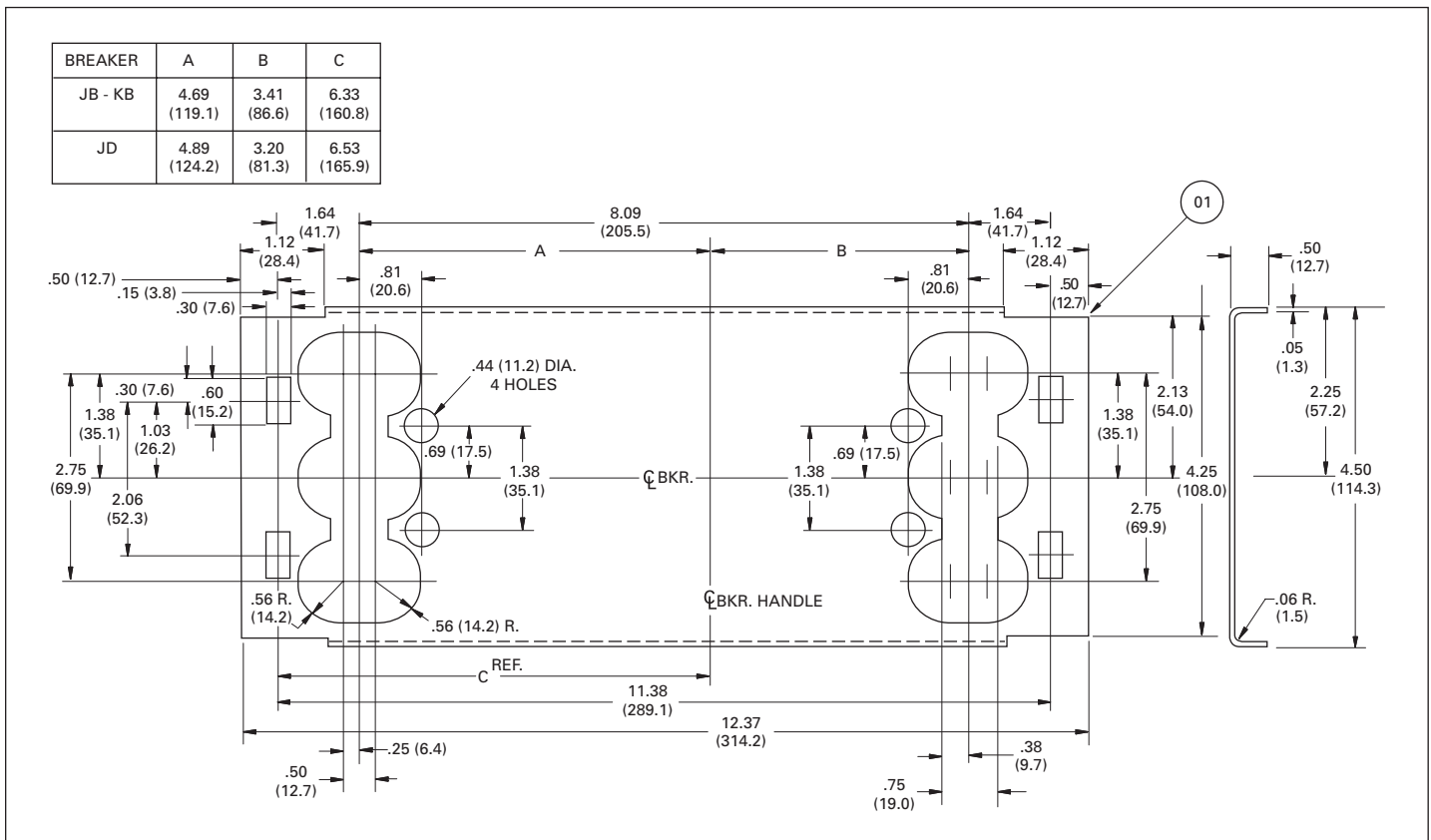


FIGURE 2. SERIES C J-FRAME, 3-POLE DIMENSIONS FOR PLUG-IN ADAPTER MOUNTING PLATE

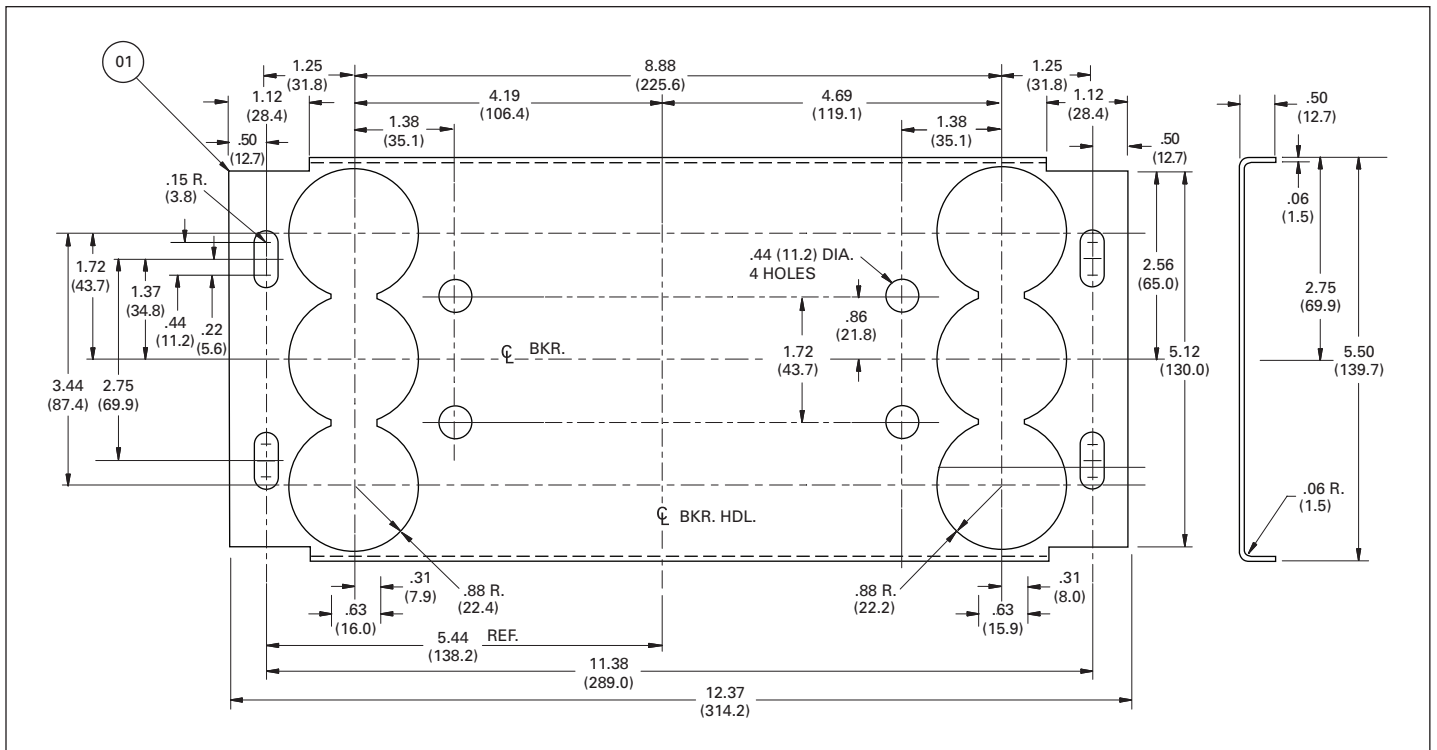


FIGURE 3. SERIES C K-FRAME, 3-POLE DIMENSIONS FOR PLUG-IN ADAPTER MOUNTING PLATE

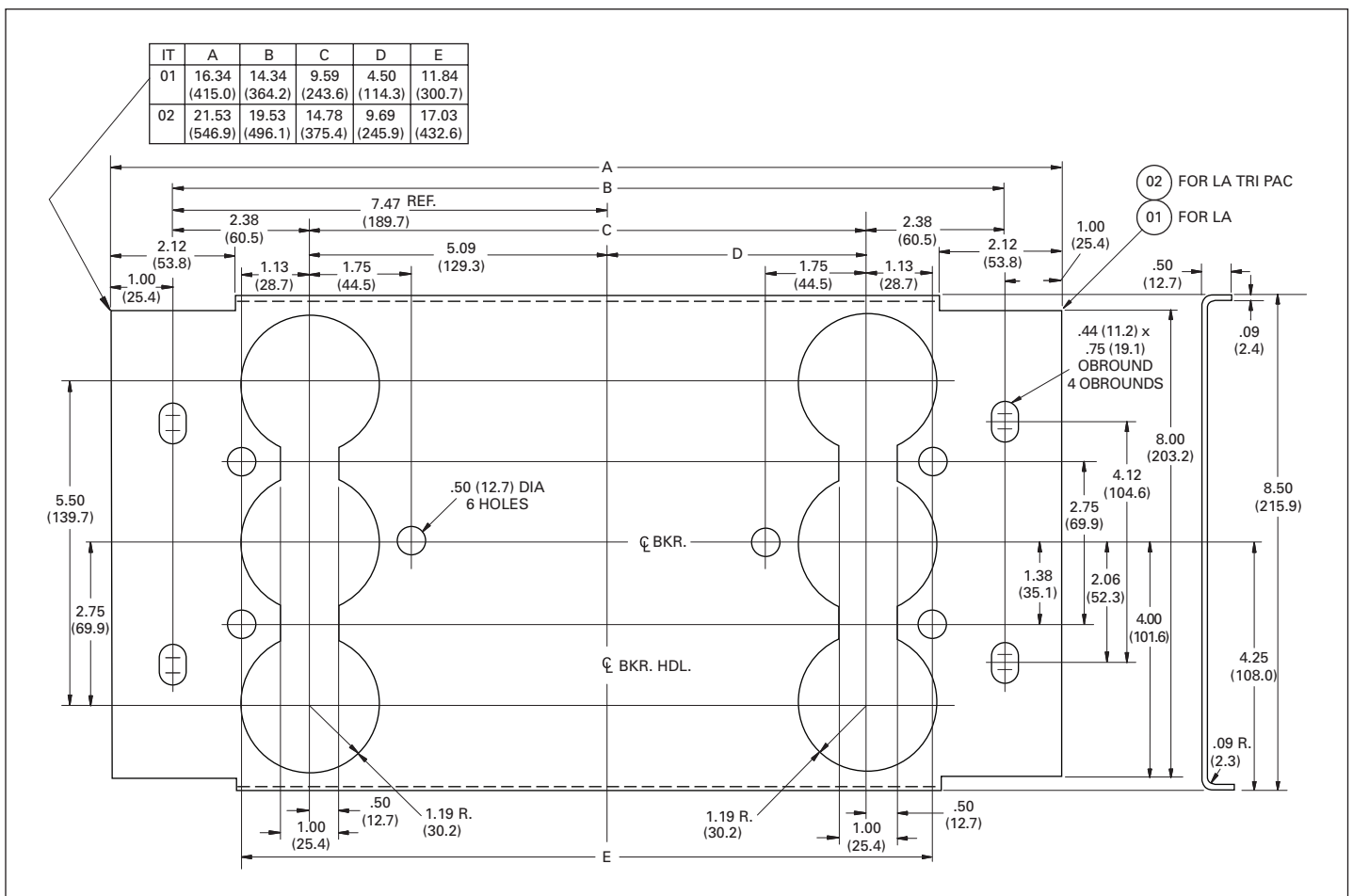


FIGURE 4. SERIES C L-FRAME, 3-POLE DIMENSIONS FOR PLUG-IN ADAPTER MOUNTING PLATE

Note:
 Item 01 = LA, LD Frame
 Item 02 = LA Tri-Pac

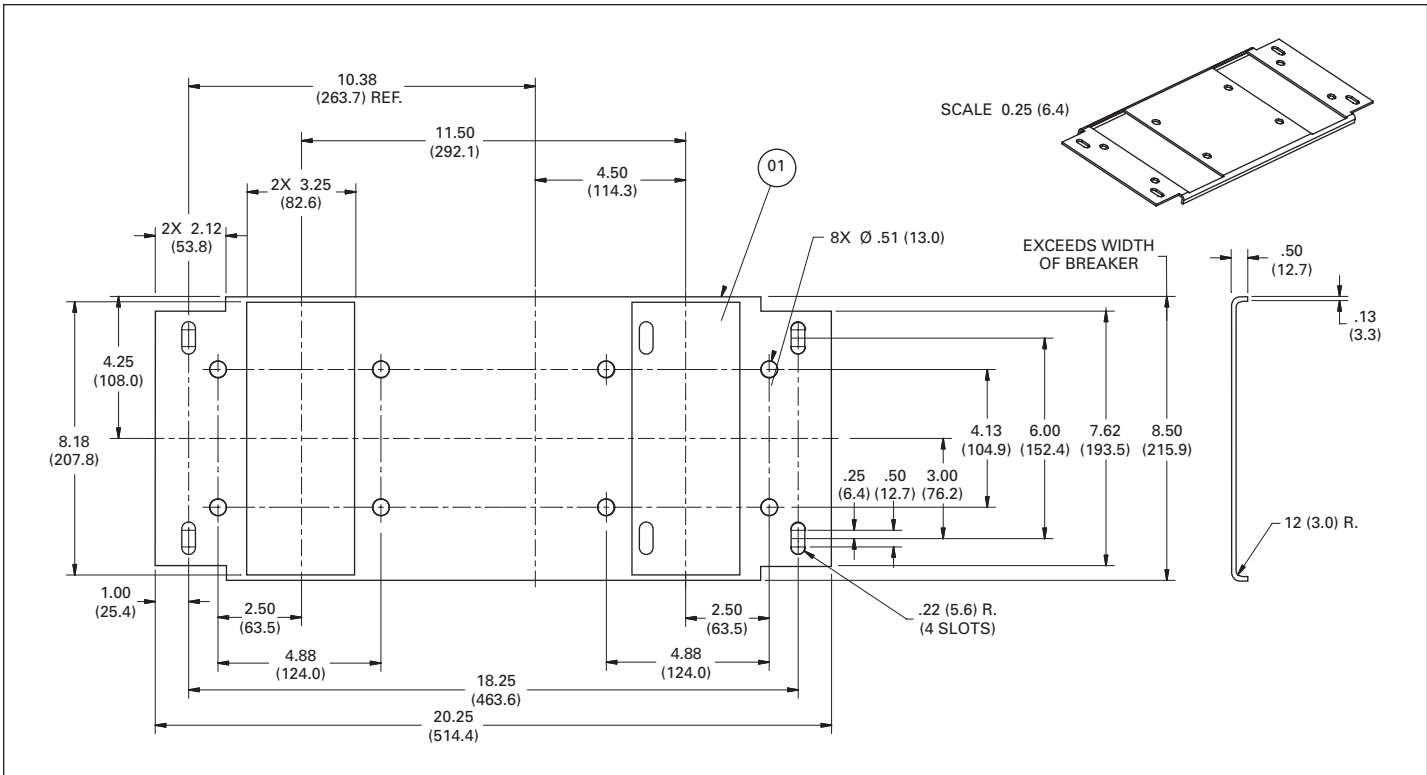


FIGURE 5. SERIES C MDL-, N-FRAME, 3-POLE DIMENSIONS FOR PLUG-IN ADAPTER MOUNTING PLATE

Mounting Plates for Globally Rated Plug-in Adapters

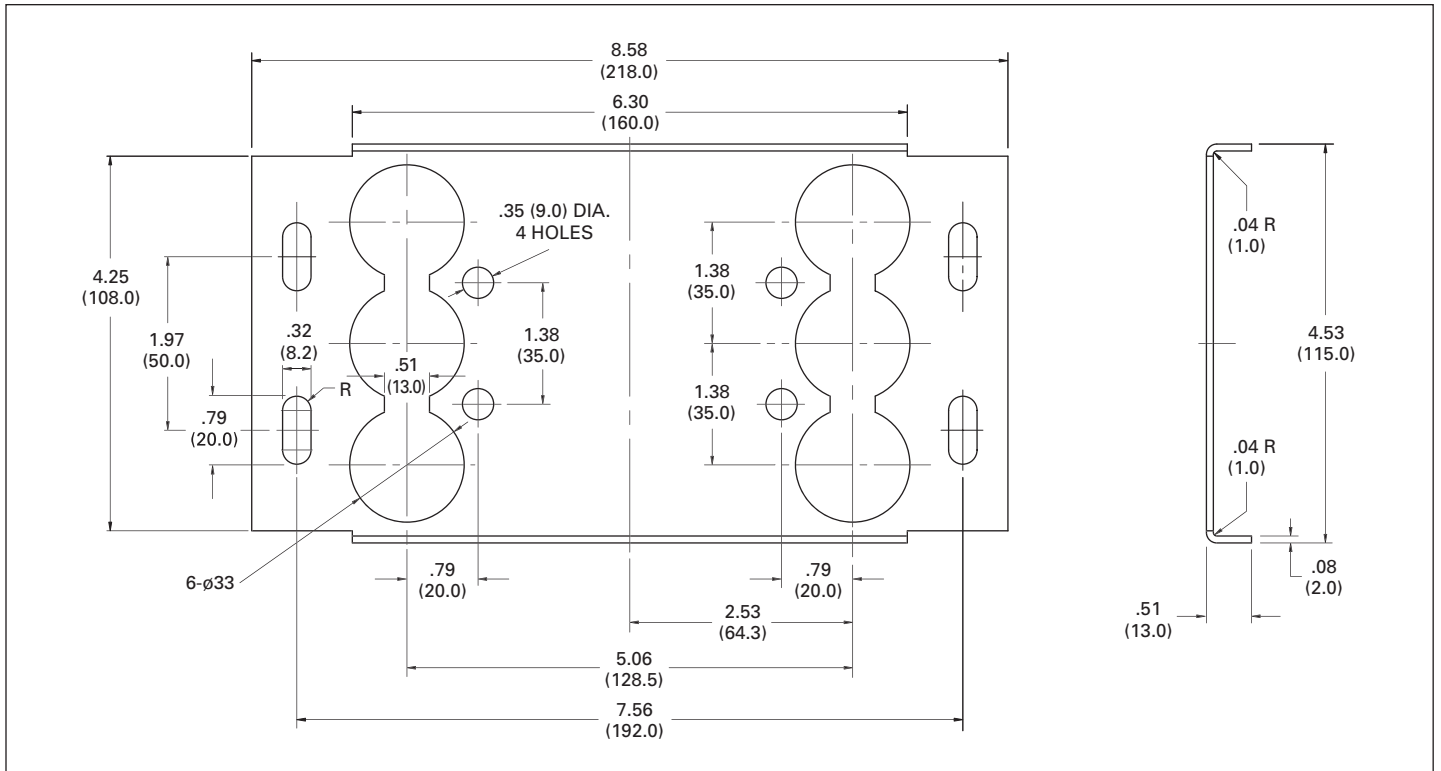


FIGURE 6. SERIES C F-FRAME (PAD3F) DIMENSIONS FOR PLUG-IN ADAPTER MOUNTING PLATE

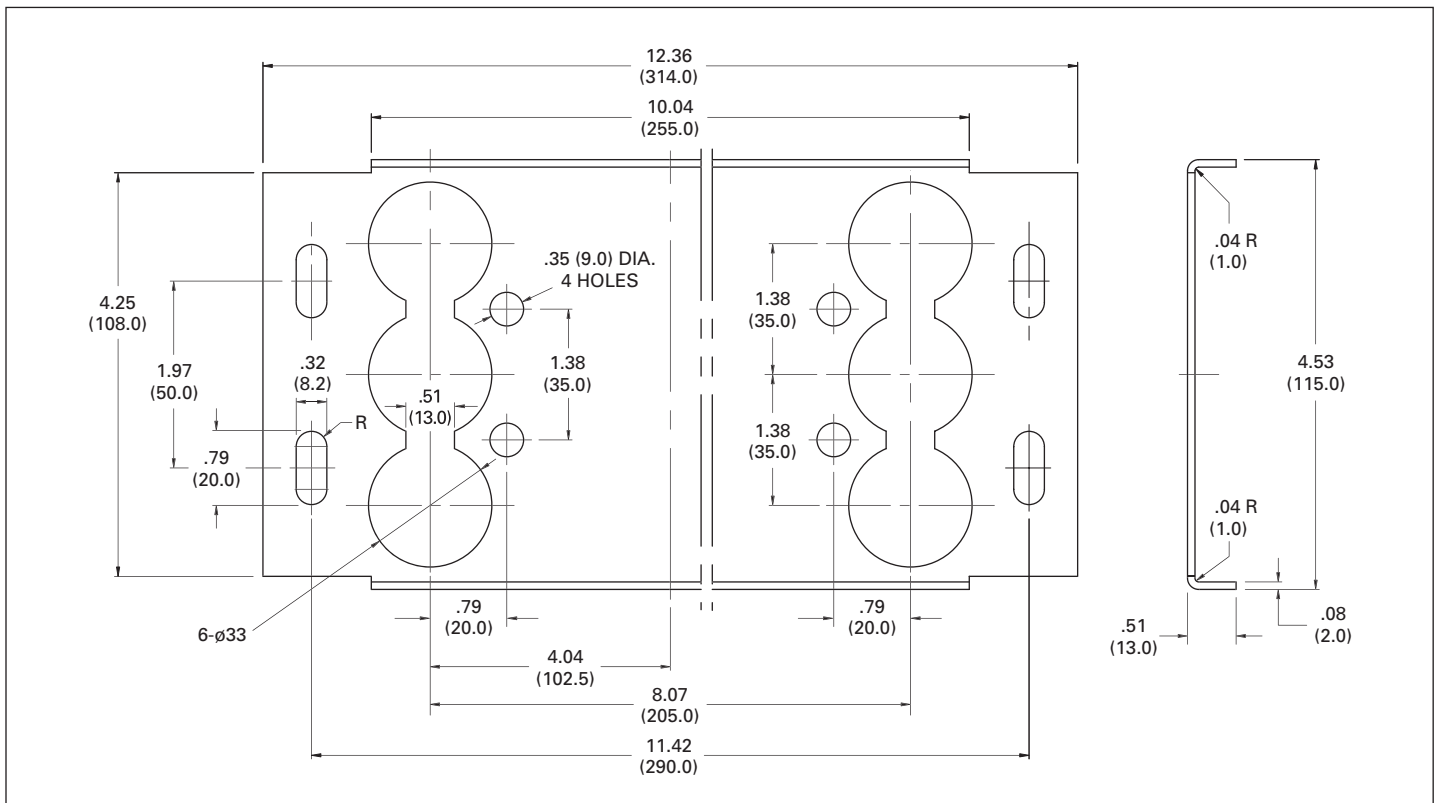


FIGURE 7. SERIES C J-FRAME (PAD3JD) DIMENSIONS FOR PLUG-IN ADAPTER MOUNTING PLATE

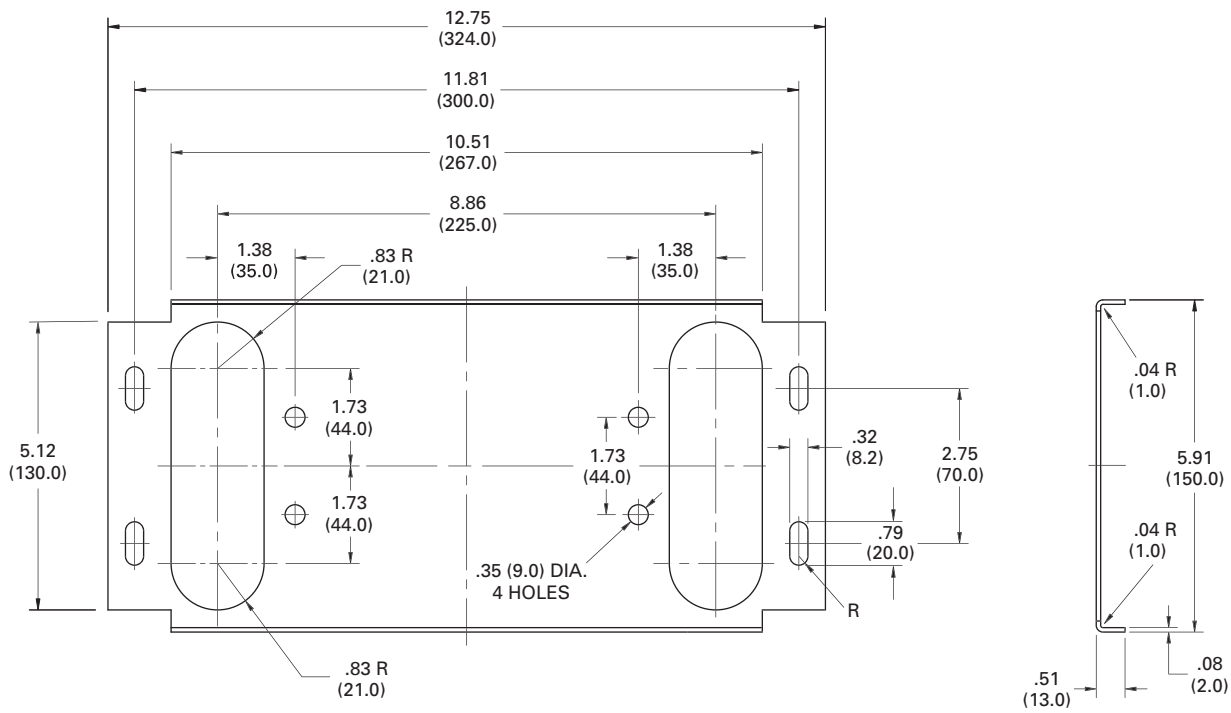


FIGURE 8. SERIES C K-FRAME (PAD3K) DIMENSIONS FOR PLUG-IN ADAPTER MOUNTING PLATE

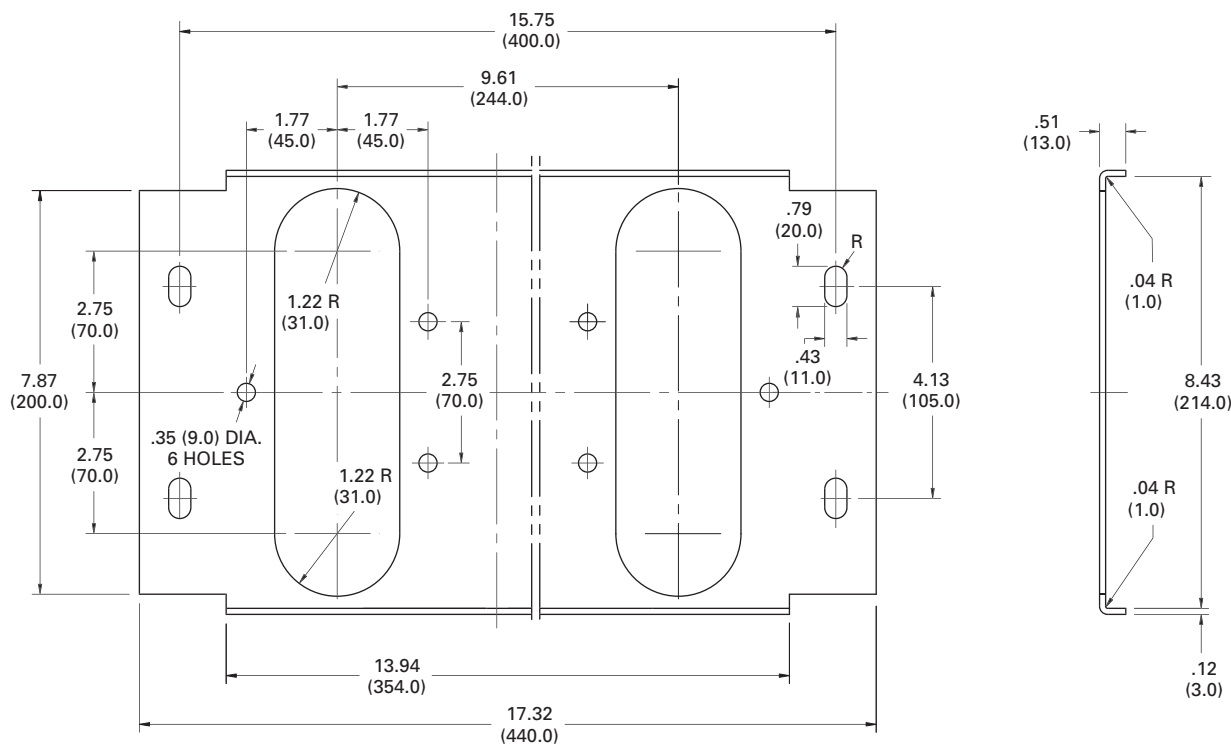


FIGURE 9. SERIES C L-FRAME (PAD3L) DIMENSIONS FOR PLUG-IN ADAPTER MOUNTING PLATE

Cutler-Hammer is a federally registered trademark of Eaton Corporation.
 Series C is a federally registered trademark of Eaton Corporation.

Notes

Eaton Corporation
Electrical Group
1000 Cherrington Parkway
Moon Township, PA 15108
United States
877-ETN-CARE (877-386-2273)
Eaton.com



Cutler-Hammer

© 2008 Eaton Corporation
All Rights Reserved
Printed in USA
Publication No. TD01222002E / Z6809
February 2008