

Electrical Attachments

Table 13. Shunt Trip (Opening Coil)



| Control Voltage | Catalog Number |
|--|----------------|
| 110 – 127 Vac/Vdc 208 – 240 Vac/Vdc | MST1 MST2 |
| 24 Vdc 48 Vdc | MST3 MST4 |

Table 14. Spring Release (Closing Coil)



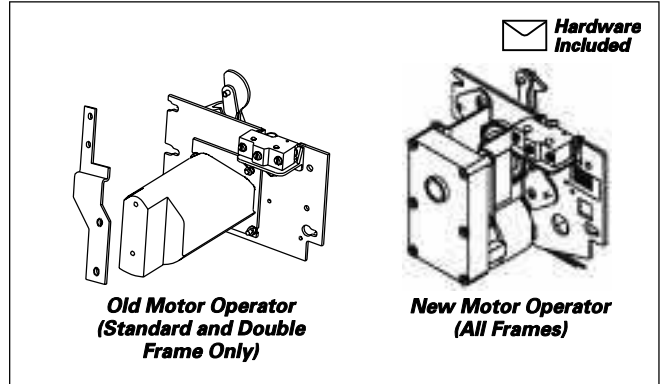
| Control Voltage | Catalog Number |
|--|----------------|
| 110 – 127 Vac/Vdc 208 – 240 Vac/Vdc | MSRA MSRR |
| 24 Vdc 48 Vdc | MSRC MSRH |

Table 15. Auxiliary Switch



| Description | Catalog Number |
|----------------|----------------|
| 2a/2b Contacts | MAUX2 |

Table 16. Motor Operator



| Control Voltage | Catalog Number |
|--|-------------------------|
| 110 – 125 Vac 208 – 240 Vac 24 Vdc | MMOTN MMOTP MMOTL |
| 48 Vdc 110 – 125 Vdc 208 – 240 Vdc | MMOTK MMOTW MMOTT |

Note: Applicable for all Magnum frames.

Note: Manufacturing change 2nd quarter 2003. The New Motor Operator is a direct replacement and will include all the required materials to mount in the location once housing the Old Motor Operator.

Table 17. Undervoltage Release



| Control Voltage | Catalog Number |
|--|----------------------------------|
| 110 – 125 Vac 208 – 240 Vac 24 Vdc | MUVRA MUVRR MUVRC |
| 32 Vdc 48 Vdc 110 – 125 Vdc | MUVRG MUVRH MUVRE |
| 208 – 240 Vdc 380 – 415 Vac 480 Vac 600 Vac | MUVRF MUVRX MUVRJ MUVRK |