

# TEMPORARY LIGHT FIXTURES

## TIGER 400 AND TIGERCUB 175 HID™ TEMPORARY LIGHT FIXTURES

- Complies with the 2007 Energy Independence and Security Act (EISA).\*
- Meets the requirements of the 2011 National Electrical Code: Articles 410.62(C)(1) and (2), 410.104(A), 410.122, 410.130(F)(5) and 590.4(F).
- Compact size, lightweight and balanced construction.
- Easy to carry and install. UL Listed. Suitable for use in damp locations. TIGER 400 and TIGERcub 175 HID Light Fixtures and lamp combinations increase light levels up to 60% over traditional probe-start fixtures while using the same number of fixture locations and wiring.

### Pulse-Start Ballast

- Reliable, durable, maintenance free performance!
- A cost effective solution to incandescent string lighting.
- Compact size, lightweight and balanced construction. Easy to carry and install.
- Faster warm-up time (2 min. vs. 4 min.)
- Faster “hot” restrike (3-4 min. vs. 15-20 min.)
- Improved cold weather starting performance.
- Lower maintenance and operating cost – ballast efficiency is 88%.
- Pre-wired at the factory for 120V operation. The multi-tap ballast can be re-configured for 208V, 240V or 277V applications.
- Improved efficacy (up to 45% more lumens per watt).

### Fixture Lamp with Ceramic Arc Tube

- Improved lumen maintenance (up to 25%).
- Reduced color shift – more consistent lamp-to-lamp color.
- Longer lamp life – up to 30% improvement over traditional probe-start fixtures.
  - 15,000+ hours for the TIGER 400 HID.
  - 12,000+ hours for the TIGERcub 175 HID.
- Higher initial lumen output.
- Superior color rendering and light stability.



During the construction phase, a skeletal framework is used which forms an interior subspace called a “bay,” which in turn marks the space as either “high-bay” or “low-bay.” Engineered Products Company references high-bay spaces as greater than 30-feet off the floor and low-bay spaces as less than 25-feet off the floor.

### Typical High-Bay Applications for TIGER 400 HID:

- Construction Sites
- Industrial Facilities
- Arena Lighting
- High Rise Buildings
- Manufacturing Facilities
- Large Retail Centers
- Big Box Stores
- Discount Warehouses

### Typical Low-Bay Applications for TIGERcub 175 HID:

- Parking Garages
- Grocery Stores
- Retail Stores
- Mezzanine Areas
- Outdoor Areas
- Schools and University Gymnasiums

### Metal Halide Lamp Specifications

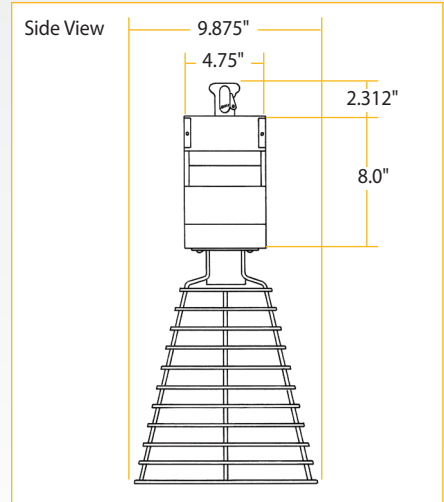
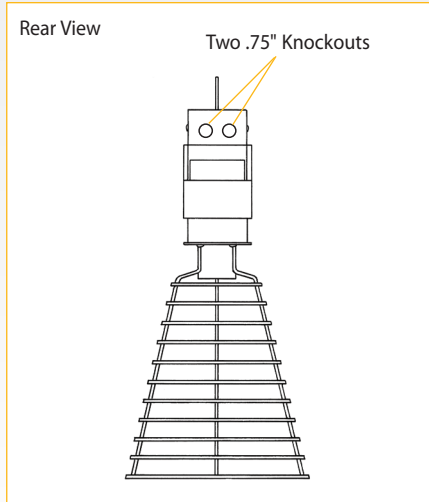
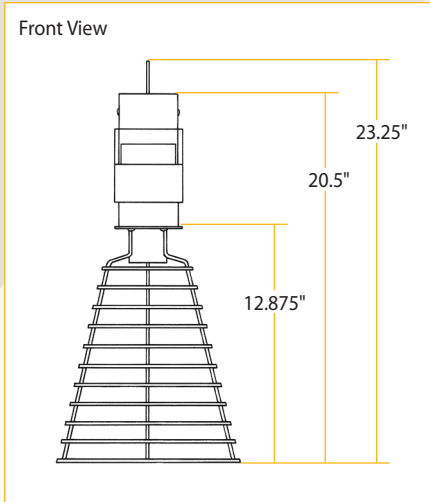
	Color Temperature	Lumen Output	Average Rated Life (In Hours)	Color Rendering Index	Voltage	(AMPs)
TIGER 400 HID	4,000K	38,000	15,000	60	120	3.25
TIGERcub 175 HID	4,000K	16,600	12,000	60	120	1.5

\* **Note:** These fixtures comply with the 2007 Energy Independence and Security Act (EISA) effective January 1, 2009. The intent of this federal legislation focuses on improving the efficiency of certain consumer and electrical products – including metal halide fixtures – as well as moving the United States toward reducing energy consumption and energy independence. In compliance with EISA, EPCO’s TIGER 400-watt and TIGERcub 175-watt fixtures clearly display a capital letter “E” printed within a circle (E) on the product carton and the ballast as specified by the Federal Trade Commission (FTC).

† The Illuminating Engineering Society of North America (IESNA), the authority in lighting, categorizes spaces as either high-bay (greater than 30-feet) or low-bay (less than 25-feet).

Specifications subject to change without prior notice.

# TEMPORARY LIGHT FIXTURES



Catalog Number	UPC Number	Description	Order Unit	Unit Qty	Unit Pkg	Units/Case	TL Case Qty	Min Order Qty	MM Req	Ship Wt (Lbs)
<b>TIGER 400 HID Temporary Lighting</b>										
15702	15702	TIGER 400 HID: 400-watt Type-O Metal Halide Lamp, Safety Cage and Lamp Guard	EA	1	BX	1	1	1	No	22
15752	15752	Type-O 400-Watt Metal Halide Lamp: Pulse-Start	EA	1	BX	20	20	1	No	2
<b>TIGERcub 175 HID Temporary Lighting</b>										
15711	15711	TIGERcub 175 HID: 175-watt Type-O Metal Halide Lamp, Safety Cage and Lamp Guard	EA	1	BX	1	1	1	No	20
15757	15757	Type-O 175-Watt Metal Halide Lamp: Pulse-Start	EA	1	BX	20	20	1	No	2
<b>HID Temporary Lighting Accessories</b>										
15760*	15760	Universal Replacement HID Safety Cage and Lamp Guard: Clamp Mount	EA	1	BN	5	5	1	No	9

\* Fits majority of manufacturer's HID Type-O and Type-S Temporary HID Lighting Fixtures.

#### UNITS OF MEASURE KEY

**Order Unit:** The Unit to be ordered; **Order Qty:** Number of pieces in each Unit; **Unit Pkg:** Packaging types - BG (Bag), BX (Box), BN (Bulk); **Units/Case:** Unit packages contained in the Case; **TL Case Qty:** The total number of items in each Master Case; **Min Order Qty:** The smallest Unit that can be ordered; **MM Req:** Must order multiples of the Unit in the stated quantities; **Ship Wt (Lbs):** Total weight of the units per Carton

Specifications subject to change without prior notice.

**TEMPORARY CORDLIGHTS**

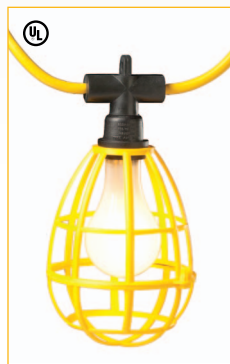
- UL Listed. File Number: E190858. Meets all OSHA Standards.
- Meets the requirements of the 2011 National Electrical Code: Article 590.4(B)(C).
- Suitable for indoor and outdoor use.
- Weather-resistant lamp sockets feature rigid-mounted eyelets for hooks or wire to expedite and simplify hanging.
- Unique open and secure closure clasp on the heavy-duty Safety Cage easily facilitates bulb changes.
- A patented detent “snap-off, snap-on” fitting on the lamp socket enables quick replacement if the Safety Cage becomes damaged.
- Rated only for use with Type A23 Incandescent Lamp - 150-watt rating (maximum), Compact Fluorescent or LED Lamps.
- U.S. Patent Number: D.439,697.

**Typical Applications for Temporary CordLights:**

- Construction Sites
- Parking Lots
- Walkways
- Festivals
- Circus Tents
- Christmas Tree Lots

**DELUXE CORDLIGHTS**

Deluxe CordLights are intended for severe environments and are impervious to dust, dirt, chemical vapors, salt spray and other corrosive elements. Constructed of heavy-duty 14/2, 14/3 or 12/3 SJTW round cord with a 75°C (167°F) temperature rating, Deluxe CordLights are UL Listed and complies with UL Standard 1088 for Temporary Lighting Strings.



**CONTRACTOR GRADE CORDLIGHTS**

Contractor Grade CordLight is designed for medium-duty applications and is ideal for budget-minded Contractors who need quality temporary lighting at an affordable price. The Contractor Grade CordLight is constructed of heavy-duty 14/2 flat cord. Only available in a 100-foot length.



Catalog Number	UPC Number	Description	Order Unit	Unit Qty	Unit Pkg	Units/Case	TL Case Qty	Min Order Qty	MM Req	Ship Wt (Lbs)
<b>Deluxe CordLights</b>										
16010	16010	Deluxe CordLights: 14/2 SJTW Round Cord, 100 FT Length, 10 FT Centers (without Plug) - Yellow	EA	1	BX	0	0	1	No	13
16300	16300	Deluxe CordLights: 14/3 SJTW Round Cord, 100 FT Length, 10 FT Centers (without Plug) - Yellow	EA	1	BX	0	0	1	No	14
16301	16301	Deluxe CordLights: 14/3 SJTW Round Cord, 100 FT Length, 10 FT Centers (with Molded Plug) - Yellow	EA	1	BX	0	0	1	No	14
16350	16350	Deluxe CordLights: 12/3 SJTW Round Cord, 100 FT Length, 10 FT Centers (without Plug) - Yellow	EA	1	BX	0	0	1	No	19
16353	16353	Deluxe CordLights: 12/3 SJTW Round Cord, 100 FT Length, 10 FT Centers (with Molded Plug) - Yellow	EA	1	BX	0	0	1	No	19
16100	16100	Safety Cage: for Deluxe CordLight - Yellow	EA	1	BN	10	10	10	Yes	1
<b>Contractor Grade CordLights</b>										
16030*	16030	Contractor Grade CordLight: 14/2 Flat Cord, 100 FT Length Ten (10) Sockets on 10 FT Centers - Yellow	EA	1	BX	0	0	1	No	7
16222	16222	Contractor Grade CordLight Kit: Includes Ten (10) Lamp Sockets, Ten (10) Safety Cages	EA	1	BX	0	0	1	No	3
16110	16110	Safety Cage: for Contractor Grade CordLight - Yellow	EA	1	BN	10	10	10	Yes	1

*\*Note: The Contractor Grade CordLight is not UL Listed.*

**UNITS OF MEASURE KEY**

Order Unit: The Unit to be ordered; Order Qty: Number of pieces in each Unit; Unit Pkg: Packaging types - BG (Bag), BX (Box), BN (Bulk); Units/Case: Unit packages contained in the Case; TL Case Qty: The total number of items in each Master Case; Min Order Qty: The smallest Unit that can be ordered; MM Req: Must order multiples of the Unit in the stated quantities; Ship Wt (Lbs): Total weight of the units per Carton

Specifications subject to change without prior notice.

## SAFETY CAGES

- Suitable for indoor and outdoor use.
- Unique open and secure closure clasp on the heavy-duty Safety Cage easily facilitates bulb changes.



Catalog Number	UPC Number	Description	Order Unit	Unit Qty	Unit Pkg	Units/Case	TL Case Qty	Min Order Qty	MM Req	Ship Wt (Lbs)
16100	16100	Safety Cage: for Deluxe CordLight - Yellow	EA	1	BN	10	10	10	Yes	1
16110	16110	Safety Cage: for Contractor Grade CordLight - Yellow	EA	1	BN	10	10	10	Yes	1

## INSULATION PIERCING LAMP SOCKET

- Suitable for indoor and outdoor use.
- Use to repair Contractor Grade CordLights, signage, appliances or other lighting fixtures.
- Integrally designed terminals and contacts provide a superior electrical connection.
- Use with 12 or 14 AWG THHN insulated stranded-wire.
- No cutting, wire stripping, wire nuts or soldering required.
- Rated only for use with Type A23 Incandescent Lamp - 150-watt rating (maximum), Compact Fluorescent or LED Lamps.



Catalog Number	UPC Number	Description	Order Unit	Unit Qty	Unit Pkg	Units/Case	TL Case Qty	Min Order Qty	MM Req	Ship Wt (Lbs)
16022	16022	Insulation Piercing Lamp Socket	EA	5	BG	0	0	5	Yes	1
16110	16110	Safety Cage: for Contractor Grade CordLight - Yellow	EA	1	BN	10	10	10	Yes	1

## PIGTAIL LAMP SOCKET

- A patented detent "snap-off, snap-on" fitting on the lamp socket enables quick replacement if the Safety Cage becomes damaged. Can be used with EPCO Safety Cage (P/N: 16100).
- Suitable for indoor or outdoor use.
- 6-Inch leads, pre-stripped 5/8" (.625").
- Rated only for use with Type A23 Incandescent Lamp - 150-watt rating (maximum), Compact Fluorescent or LED Lamps.



Catalog Number	UPC Number	Description	Order Unit	Unit Qty	Unit Pkg	Units/Case	TL Case Qty	Min Order Qty	MM Req	Ship Wt (Lbs)
16023	16023	Pigtail Lamp Socket: with 6-inch Leads	EA	5	BG	0	0	5	Yes	1
16100	16100	Safety Cage: for Deluxe CordLight - Yellow	EA	1	BN	10	10	10	Yes	1

### UNITS OF MEASURE KEY

Order Unit: The Unit to be ordered; Order Qty: Number of pieces in each Unit; Unit Pkg: Packaging types - BG (Bag), BX (Box), BN (Bulk); Units/Case: Unit packages contained in the Case; TL Case Qty: The total number of items in each Master Case; Min Order Qty: The smallest Unit that can be ordered; MM Req: Must order multiples of the Unit in the stated quantities; Ship Wt (Lbs): Total weight of the units per Carton

Specifications subject to change without prior notice.

E02-040-001 E1 (6/12-SP)  
©2012 Engineered Products Company. All Rights Reserved.  
Tiger 400 and TigerCub 175 HID are trademarks of Engineered Products Company.