

Pulse-Start HID Temporary Lighting...continued



Benefits:

- Reliable, durable, maintenance free performance!
- A cost effective solution to incandescent string lighting.
- Compact size, lightweight and balanced construction. Easy to carry and install.
- TIGER and TIGERcub HID fixtures and lamp combinations increase light levels up to 60% over traditional probe start fixtures while using the same number of fixture locations and wiring.
- Improved efficacy (up to 45% more lumens per watt).
- Improved lumen maintenance (up to 25%).
- Reduced color shift - more consistent lamp-to-lamp color.
- Longer lamp life - up to 30% improvement over traditional probe start fixtures.
 - 15,000+ hours for the TIGER 400 HID.
 - 12,000+ hours for the TIGERcub 175 HID.
- Faster warm-up time (2 minutes vs. 4 minutes).
- Faster "hot" restrike (3 - 4 minutes vs. 15 - 20 minutes).
- Improved cold weather starting performance.

During the construction phase, a skeletal framework is used which forms an interior subspace called a "bay," which in turn marks the space as either "high-bay" or "low-bay." Engineered Products Company references high-bay spaces as greater than 25 feet off the floor and low-bay spaces as less than 25 feet off the floor. †

Typical High Bay Applications for TIGER 400 HID:

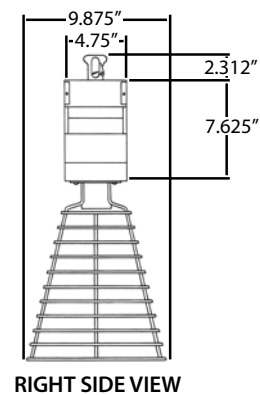
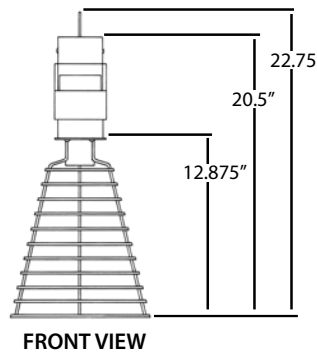
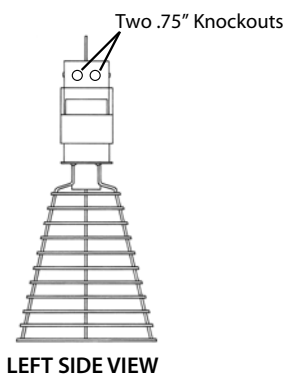
- Construction Sites
- Industrial Facilities
- Warehouses
- Arena Lighting
- Manufacturing Facilities
- Large Retail Centers
- Big Box Stores
- Discount Warehouses

Typical Low Bay Applications for TIGERcub 175 HID:

- Parking Garages
- Grocery Stores
- Retail Stores
- Mezzanine Areas
- Outdoor Areas
- Schools and University Gymnasiums

Type-O Metal Halide Lamp Specifications

	COLOR TEMPERATURE	LUMENS OUTPUT	AVERAGE RATED LIFE (IN HOURS)	COLOR RENDERING INDEX	VOLTAGE	CURRENT (IN AMPS)
TIGER 400 HID	4000K	38,000	15,000	60	120	3.25
TIGERcub 175 HID	4000K	16,600	12,000	60	120	1.5



Catalog Number	UPC Number	Description	Standard Package	Standard Package Ship Wt. (Lb.)
15702	15702	TIGER 400 HID Temporary Light Fixture: Includes 400-Watt Type-O Metal Halide Lamp with Safety Cage and Lamp Safety Guard	1/Carton	22
15711	15711	TIGERcub 175 HID Temporary Light Fixture: Includes 175-Watt Type-O Metal Halide Lamp with Safety Cage and Lamp Safety Guard	1/Carton	22
15752	15752	HID Type-O 400 Watt Metal Halide Lamp	1/Carton	2
15757	15757	HID Type-O 175 Watt Metal Halide Lamp	1/Carton	2
15740	15740	TIGER and TIGERcub Replacement Safety Cage and Lamp Guard: Bayonnette Mount	5/Carton	9
15760*	15760	Universal Replacement HID Safety Cage and Lamp Guard*	5/Carton	9

† The Illuminating Engineering Society of North America (IESNA), the authority in lighting, categorizes spaces as either high-bay (greater than 25 feet) or low-bay (less than 25 feet).
* Fits the majority of manufacturer's HID Type-O and Type-S Temporary Light Fixtures.

Product Warranty: Engineered Products Company warrants the TIGER and TIGERcub HID Temporary Lights are furnished free from defects in material and workmanship for 1 year.