

# Sealing Fittings

## Explosionproof; Dust-Ignitionproof

UNILETS® for Use with Threaded Rigid Metal Conduit and IMC.

### Applications

- Prevent passage of gases, vapors or flames from one portion of conduit system to another. Restrict any explosion to the sealed off enclosure. Prevent pressure piling within conduit system.
- Required in Class I, Division 1 and 2 locations within 18" of enclosures containing apparatus that may cause arcs, sparks or high temperatures.
- Required in Class I, Division 1 and 2 locations where 2" or larger conduit enters enclosure, fitting housing terminals, splices or taps.
- Required in Class I, Division 1 and 2 locations at the boundary where conduit leaves classified location.
- Required in Class I, Division 1 and 2 locations where two or more enclosures are connected by 36" or less conduit. Seal must be located within 18" of either enclosure.
- Required where cables (which exceed rate of gas or vapor transmission permitted for seals) are used in Class I, Division 2 locations.

### Features

- Explosionproof, dust-ignitionproof, raintight.
- Smooth, rounded integral bushing in each hub protects conductor insulation.
- Accurately tapped, tapered threads for tight, rigid joints and ground continuity.
- Removable nipple in male sealing fitting may be used interchangeably in top or bottom hub.
- EYS—for sealing vertical conduit. Large opening for damming and filling.
- Expanded fill EYSEF/EYDEF— allow up to 40% conduit fill in compliance with the National Electrical Code.
- EYSF/EYSM—for sealing vertical conduit. Large opening for damming and filling.
- ESUF/ESUM for sealing vertical or horizontal conduit. Pouring spout rotates 90°. Removable cover provides full access for damming 2-1/2" thru 4" sizes have threaded cover openings for damming.
- EYF/EYM—close radius type for sealing vertical or horizontal conduit runs.
- EYDM Drain Sealing Fittings—close radius type for sealing vertical conduit runs. Access cover has drain valve for automatic draining of water accumulation above the seal.
- UL Listed for use with Kwiko® A Sealing Compound. Also listed with certain competitors sealing cement, contact factory for details.

### Standard Materials

- EYSF/EYSM, EYF/EYM and EYDM Seals: malleable iron or Almag 35 aluminum
- EYS, EYSEF/EYDEF, and ESUF/ESUM: malleable iron
- EYD and EYS Seals: Grayloy®-iron

### Standard Finishes

- Malleable iron and Grayloy®-iron products have triple-coat — (1) zinc electroplate, (2) chromate, and (3) epoxy powder coat.
- Almag 35 aluminum products have epoxy powder coat

### Certifications and Compliances

- UL Standard: 886 (1203)
- UL Listed: E10444
- CSA Standard: C22.2 No. 30
- CSA Certified: 065181

### Options

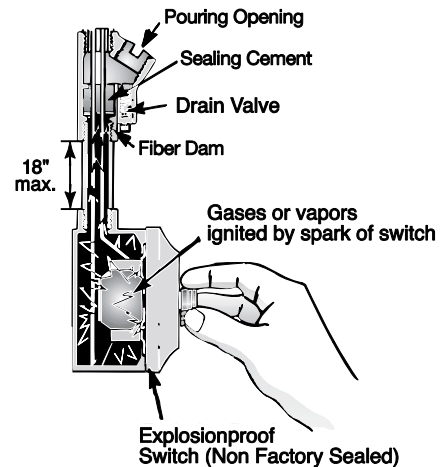
- PVC coating available on select sealing fittings. Add suffix **-PVC** to catalog number.

### Related Products

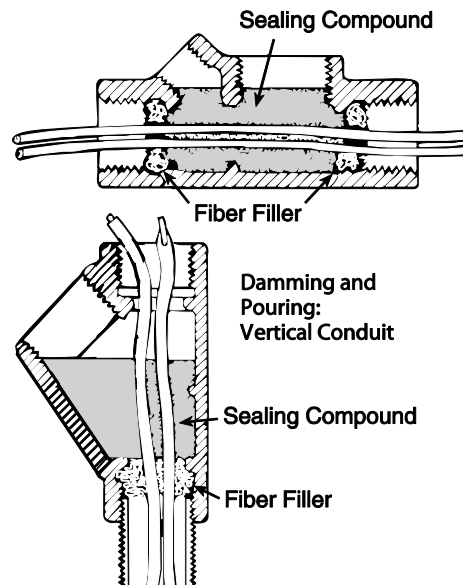
- Kwiko® A sealing cement and fiber filler

### Illustrated Features

Sealing fittings prevent passage of gases, vapors or flames from one portion of a conduit system to another. They also restrict large amounts of ignitable gases or vapors from accumulating to confine explosive pressure.



Appleton sealing fittings are suitable for Class I and II locations. EYS, SF and EYD are for sealing vertical conduit. EY and ESU are for sealing vertical and horizontal conduit. SF and EYD also have drain valves.









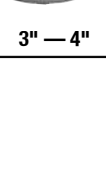



# EY 40% Fill Expanded Fill Sealing Fittings for Close Turning Radius

## Explosionproof, Dust-Ignitionproof, Raintight

UNILETS® for Use with Threaded Rigid Metal Conduit and IMC.

Class I, Division 1 and 2 Groups A◇, B◆, C, D  
 Class II, Division 1 and 2 Groups E, F, G  
 Class III

	Trade Size (Inches)	Inches/Millimeters			Kwiko® A Cement Required Ounces/Grams	Catalog Number †	
		A (Length)	B (Width)	Turning Radius ‡		Malleable Iron	Almag 35 Aluminum
<b>EYSEF Female 1/2"-4" Vertical and Horizontal Conduit Seals for Close Turning Radius</b>							
	1/2	3.69/93.7	1.50/38.1	1.25/31.7	2.00/56.8	EYSEF50 ◇	EYSEF50AL ◇
	3/4	4.31/109.4	1.75/44.4	1.38/35.0	4.00/113.5	EYSEF75 ◇	EYSEF75AL ◇
	1	5.06/128.5	2.19/55.6	1.75/44.4	7.00/198.6	EYSEF100 ◆	EYSEF100AL ◆
	1-1/4	5.50/139.7	2.44/61.9	2.06/52.3	13.00/368.9	EYSEF125 ◆	EYSEF125AL ◆
	1-1/2	6.25/158.7	3.00/76.2	2.31/58.6	22.00/624.3	EYSEF150 ◆	EYSEF150AL
	2	7.50/190.5	3.50/88.9	2.63/66.8	36.00/1,021.5	EYSEF200 ◆	EYSEF200AL
	2-1/2	8.50/215.9	4.25/107.9	3.00/76.2	61.00/1,730.9	EYSEF250 ◆	EYSEF250AL
	3	9.19/233.4	4.75/120.6	3.31/84.0	89.00/2,525.4	EYSEF300 ◆	EYSEF300AL
	3-1/2	9.75/247.6	5.25/133.3	3.59/91.1	114.00/3,234.8	EYSEF350 ◆	EYSEF350AL
	4	11.06/280.9	6.50/165.1	4.22/107.1	202.00/5,726.6	EYSEF400	EYSEF400AL
<b>EYDEF Female 1/2"-4" Vertical Drain Seals for Close Turning Radius</b>							
	1/2	3.69/93.7	1.50/38.1	1.25/31.7	4.00/113.5	EYDEF50 ◆	EYDEF50AL ◆
	3/4	4.31/109.4	1.75/44.4	1.38/35.0	6.00/170.3	EYDEF75 ◆	EYDEF75AL ◆
	1	5.06/128.5	2.19/55.6	1.75/44.4	7.00/198.6	EYDEF100 ◆	EYDEF100AL ◆
	1-1/4	5.50/139.7	2.44/61.9	2.06/52.3	13.00/368.9	EYDEF125 ◆	EYDEF125AL ◆
	1-1/2	6.25/158.7	3.00/76.2	2.31/58.6	22.00/624.3	EYDEF150 ◆	EYDEF150AL
	2	7.50/190.5	3.50/88.9	2.63/66.8	36.00/1,021.5	EYDEF200 ◆	EYDEF200AL
	2-1/2	8.50/215.9	4.25/107.9	3.00/76.2	61.00/1,730.9	EYDEF250 ◆	EYDEF250AL
	3	9.19/233.4	4.75/120.6	3.31/84.0	89.00/2,525.4	EYDEF300 ◆	EYDEF300AL
	3-1/2	9.75/247.6	5.25/133.3	3.59/91.1	114.00/3,234.8	EYDEF350 ◆	EYDEF350AL
	4	11.06/280.9	6.50/165.1	4.22/107.1	202.00/5,726.6	EYDEF400	EYDEF400AL

1/2" — 3/4"

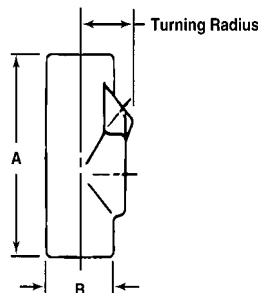
1" — 2-1/2"

3" — 4"

1/2" — 3/4"

1" — 2-1/2"

3" — 4"



† Turning radius with cover or plug removed.

‡ PVC coating available on select sealing fittings. Add suffix **-PVC** to catalog number.

◇ Indicates items in the shaded area which are UL Listed for Class I, Groups A, B, C, D; Class II, Groups E, F, G; and Class III.

◆ Indicated items in the shaded area which are UL Listed for Class I, Groups B, C, D; Class II, Groups E, F, G; and Class III.

Fittings

FITTINGS: HAZARDOUS SEALING FITTINGS