

CPS Factory Sealed 20 Amp Pin and Sleeve Receptacles

Explosionproof

120-240 Vac, 20 Amp at 1 HP; 20 Amp at 24 Vdc. Dead-Front Safety Construction.

Class I, Division 1 and 2 Groups B⁺, C, D
Class II, Division 1 and 2 Groups F, G
NEMA 3RX⁺, 7BCD

**Does not intermate with
Contender[®] CPS 20 Amp
Pin and Sleeve Receptacles**

Applications

- Locations where receptacles are used with stationary or portable electrically operated devices such as:
 - Lighting systems
 - Conveyors
 - Heaters
 - Motor-generator sets
 - Air conditioners
 - Compressors
 - Pumps
- Locations where damp or corrosive conditions exist.

Features

- Captive stainless steel hex head slotted screws.
- Plug mechanical cable clamps prevent strain on cables; they meet or exceed UL strain relief pull-out requirements.
- Insulators provide superior dielectric and mechanical strength and lowest arc tracking.
- Delayed action construction. Insert plug partially rotate slide on front of receptacle and insert plug fully.
- Factory sealed: external seals not required.
- CPS Series plug and receptacles are supplied with pressure terminal connectors.
- Energizes receptacle terminals deeply recessed to prevent accidental touching.

Standard Materials

- Cover: copperfree (less than 4/10ths of 1%) aluminum
- Mounting bodies: malleable iron
- Insulating blocks: fiberglass reinforced thermoset polyester
- Cover gasket and plug grommet: neoprene

Standard Finishes

- Malleable iron mounting bodies: triple-coat (1) zinc electroplate, (2) chromate and (3) epoxy powder coat
- Aluminum covers: epoxy powder coat

Certifications and Compliances

- UL Standard: UL 1010 (UL 1203)
- UL Listed: E10784, E81751
- CSA Standard: C22.2 No. 25, C22.2 No. 30, C22.2 No. 159
- CSA Certified: 038644

Related Products

- For a EFSR-GFI Ground Fault Circuit Interrupter refer to the U-Line[®] 20 Amp Receptacles within the *Plugs and Receptacles: Hazardous Location Section*.



CPS Receptacle
15° Angle Type



CPS Receptacles
with EFD Mounting Boxes

• NEMA 3X with Screw Cover Kit installed and cover full engaged.

♦ Shaded items on following page suitable for Class I, Group B in addition to Class I, Groups C and D.








CPS 20 Factory Sealed Amp Pin and Sleeve Replacement Receptacles and CPP Plugs

Explosionproof

120-240 Vac, 20 Amp at 1 HP; 20 Amp at 24 Vdc. Dead-Front Safety Construction.

Class I, Division 1 and 2 Groups B*, C, D
Class II, Division 1 and 2 Groups F, G
NEMA 3RX*, 7BCD

**Does not intermate with
Contender® CPS 20 Amp
Pin and Sleeve Receptacles**

	Type	Number of Gangs	Wire/Pole	Hub Size (Inches)	Catalog Number
CPS Receptacle 15° Angle Type					
	Dead-End	—	2W, 3P	1/2	CPSA-2350
				3/4	CPSA-2375
CPS Receptacles with EFD Mounting Boxes					
	Dead-End	Single	2W, 3P	1/2	CPE1-2350
				3/4	CPE1-2375
				1	CPE1-23100
	Feed-Thru	Single	2W, 3P	1/2	CPC1-2350
				3/4	CPC1-2375
				1	CPC1-23100
	Dead-End	Two	2W, 3P	1/2	CPE2-2350
				3/4	CPE2-2375
				1	CPE2-23100
	Feed-Thru	Two	2W, 3P	1/2	CPC2-2350
				1	CPC2-23100
				3/4	CPC2-2375
CPS Replacement Receptacle and Cover Assembly					
	CPSR		2W, 3P		CPSR-23
	Replacement Spring Cover				CPSCA
CPR Replacement Receptacle Cover Assembly Only					
	CPR		2W, 3P		CPR-23
	Spring Cover Kit				CPRCA
	NEMA 3X Corrosion Resistance Kit •				CPS233RXKIT
Description			Wire/Pole	Cable Dia. (Inches)	Catalog Number
CPP Plugs for use with CPS Receptacles					
	Pressure Terminals		2W, 3P	.536 to .639	CPP-2023
	Plug amperes match receptacle ratings				

• NEMA 3X with Screw Cover Kit installed and cover full engaged.

† Suitable for Class 1, Group C, D, Class I Div 2 Group B, C, D, Class II, Groups F, G




◆ Shaded area indicates items suitable for Class I, Group B in addition to Class I, Groups C and D.

EFD Cast Device Mounting Boxes

For CPS 20 Amp Receptacles

Single, Two, and Tandem Boxes.

*Does not intermate with
Contender® CPS 20 Amp
Pin and Sleeve Receptacles*

	Type	Hub Size (Inches)	Catalog Number	
			Malleable Iron	Aluminum
Single Gang				
	Dead-End	1/2	EFD150-NL-Q	EFD150A-NL-Q
		3/4	EFD175-NL-Q	EFD175A-NL-Q
		1	EFD110-NL-Q	EFD110A-NL-Q
	Feed-Thru	1/2	EFDC150-NL-Q	EFDC150A-NL-Q
		3/4	EFDC175-NL-Q	EFDC175A-NL-Q
		1	EFDC110-NL-Q	EFDC110A-NL-Q
Two Gang				
	Dead-End	1/2	EFD250-NL-Q	EFD250A-NL-Q
		3/4	EFD275-NL-Q	EFD275A-NL-Q
		1	EFD210-NL-Q	EFD210A-NL-Q
	Feed-Thru	1/2	EFDC250-NL-Q	EFDC250A-NL-Q
		3/4	EFDC275-NL-Q	EFDC275A-NL-Q
		1	EFDC210-NL-Q	EFDC210A-NL-Q
Tandem †				
	Dead-End	1/2	EFDT50-NL-Q	
		3/4	EFDT75-NL-Q	
		1	EFDT10-NL-Q	
	Feed-Thru	1/2	EFDCT50-NL-Q	
		3/4	EFDCT75-NL-Q	
		1	EFDCT10-NL-Q	

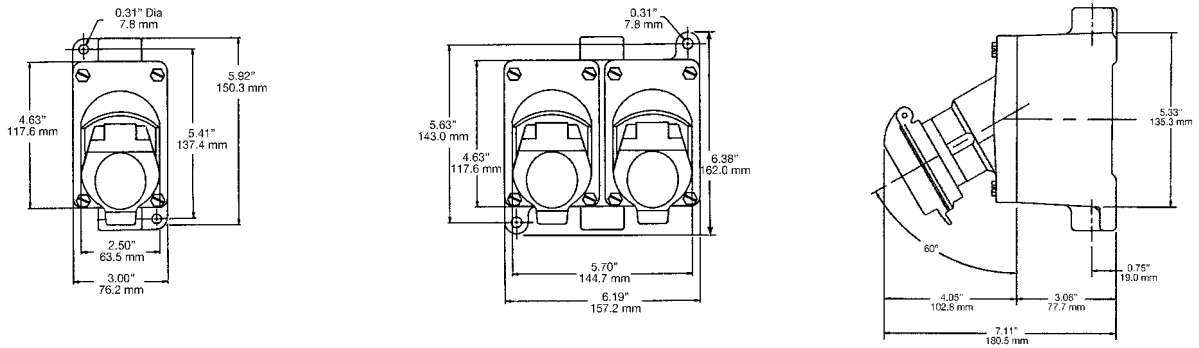
Plugs and Receptacles

PLUGS AND RECEPTACLES: HAZARDOUS LOCATION

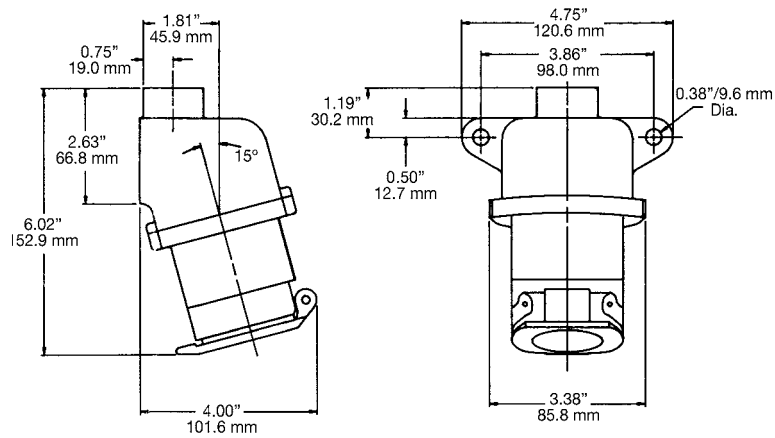
† For tandem bodies, eternal seals must be installed within 5 feet/1.52 meters of each conduit entrance or Class I, Group C and D.

CPSA 20 Amp Factory Sealed Receptacles and CPP Plugs Dimensions

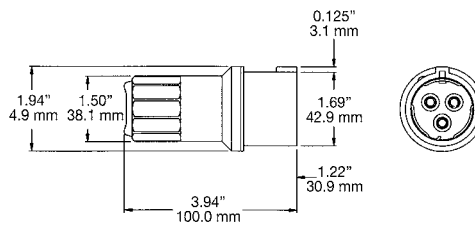
CPSA 45° Angle Type Receptacle



CPSA 15° Angle Type Receptacle



CPP Plug



Plugs and Receptacles

PLUGS AND RECEPTACLES: HAZARDOUS LOCATION