

EDS Heavy Duty Disconnect Switches

Explosionproof, Dust-Ignitionproof

30, 60, 100, and 200 Ampere Units for 600 Vac Maximum. UNILETS® for Use with Threaded Metal Conduit.

UL Listed

Class I, Division 1 and 2, Groups B, C, D
Class II, Division 1 and 2, Groups E, F, G
Class III
NEMA 3R, 4⁺, 4X⁺, 7BCD, 9EFG

CSA Certified [†]

Class I, Division 1 and 2, Groups B, C, D
Class II, Division 1 and 2, Groups E, F, G
Class III
NEMA 4⁺, 4X⁺, 7BCD, 9EFG

Applications

- Functions as load disconnect switch or as individual motor control switch.

Features

- 600 Vac 3-pole, non-fused motor circuit switch; available in four sizes from 30 to 100 Amp. For 200 Amp, please contact your local sales representative.
- Hinged, removable cover provides instant access for installation and servicing.
- Self-locating, spring-mounted internal handle actuator.
- Rugged handle has stainless steel shaft within a stainless steel bushing; may be locked in ON or OFF position.
- Removable mounting plate simplifies installation.
- Top and bottom standard feed-thru conduit openings. Removable reducer bushing furnished with each opening.
- Additional top and bottom openings for drain and breather; supplied with close-up plugs.
- Covers have captive, slotted, stainless steel screws to prevent "freezing."
- Grounded neutral lug and insulated neutral lug supplied as standard.

Standard Materials

- Body and cover: copperfree (4/10 of 1% max.) aluminum
- Handle shaft, bushing, exposed hardware: stainless steel

Standard Finishes

- Exterior surfaces: epoxy powder coat

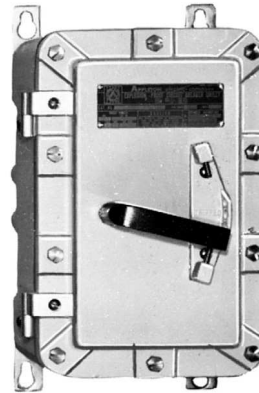
Options

Must be listed in alphanumeric sequence at the end of the catalog number.

- Auxiliary switch (30, 60, 100) add suffix **-AUX**.
- Drain and breather set add suffix **-DV**.
- NEMA 4, 4X add suffix **-N4**.

Certifications and Compliances

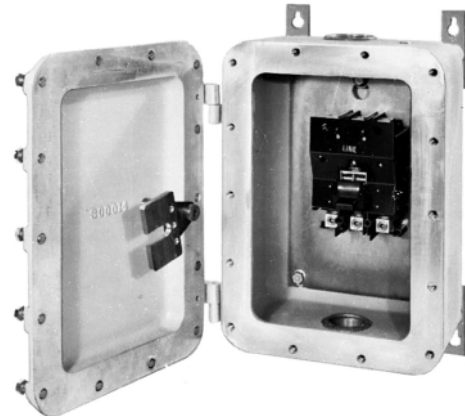
- UL Standard: UL 894, UL 1203
- UL Listed: E10523
- CSA Standard: C22.2 No. 4, C22.2 No. 25, C22.2 No.30
- CSA Certified: 039569



EDS3036



EDS6036



Distribution Equipment

DISTRIBUTION EQUIPMENT- HAZARDOUS LOCATION SWITCHES

▼ Add suffix **N4** for NEMA 4, 4X rating (UL NEMA 4, 4X version is not suitable for Group B, CSA NEMA 4, 4X version is suitable for Group B).

[†] CSA Certification only.

Visit our website at www.appletonelec.com or contact us at (800) 621-1506.

© September 2010

EDS Heavy Duty Disconnect Switches

Explosionproof, Dust-Ignitionproof

30, 60, 100, and 200 Ampere Units for 600 Vac Maximum. UNILETS® for Use with Threaded Metal Conduit.

UL Listed

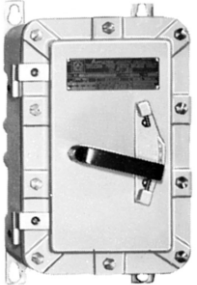
Class I, Division 1 and 2, Groups B, C, D
Class II, Division 1 and 2, Groups E, F, G
Class III
NEMA 3R, 4*, 4X*, 7BCD, 9EFG

CSA Certified [†]

Class I, Division 1 and 2, Groups B, C, D
Class II, Division 1 and 2, Groups E, F, G
Class III
NEMA 4*, 4X*, 7BCD, 9EFG

Distribution Equipment

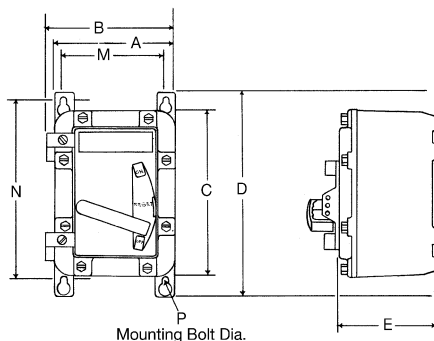
DISTRIBUTION EQUIPMENT: HAZARDOUS LOCATION SWITCHES

	Ampere	Conduit Opening (Inches)	Catalog Number ①	
			UL Version	CSA Version [†]
 <p>Bolt-On</p>	<i>Supplied with Cutler-Hammer ⁺ disconnect switch.</i>			
	30	1-1/2	EDS3036	EDS3036CN
	60	2	EDS6036	EDS6036CN
	100	2	EDS1036	EDS1036CN

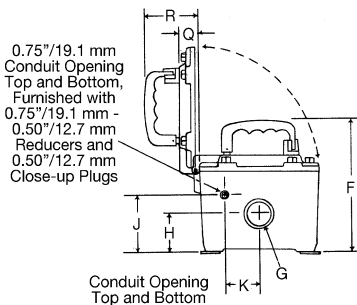
Electrical Ratings Maximum Motor HP

Maximum Amps	Maximum Horsepower Rating				
	120 Vac	240 Vac	480 Vac	600 Vac	250 Vdc
30	5	10	20	25	7-1/2
60	10	20	40	60	15
100	15	30	75	75	25

Dimensions



Mounting Bolt Dia.



Dimension	Dimensions in Inches/Millimeters	
	EDS3036	EDS6036/EDS1036
A	7.75/196.9	9.13/231.9
B	8.25/209.6	9.63/244.6
C ②	12.13/308.1	14.13/358.9
D	14.75/374.7	16.75/425.5
E	6.50/165.1	7.25/184.2
F	8.88/225.6	9.63/244.6
G ①	1.50/38.1	2.00/50.8
H	2.38/60.5	2.75/69.9
J	3.75/95.3	3.75/95.3
K	1.06/26.9	2.75/69.9
M	6.13/155.7	7.5/190.5
N	13.25/336.6	15.13/384.3
P	0.38/9.7	0.38/9.7
Q	1.50/38.1	1.75/44.5
R	3.88/98.6	4.13/104.8

① Conduit openings are tapped to size shown. A removable reducer bushing is furnished for each opening which, when installed, makes the conduit opening one size smaller.

② For drains and breathers, add 2"/50.8 mm to dimension C. Close-up plugs furnished when enclosures are ordered without drains and breathers.

▼ Add suffix **N4** for NEMA 4, 4X rating (UL NEMA 4, 4X version is not suitable for Group B, CSA NEMA 4, 4X version is suitable for Group B).

+ Cutler-Hammer is a registered trademark of Eaton Corporation.

[†] CSA Certification only.