

Speedlock®

Steel Box Connectors

Type AMC

Use:

To ground and secure MC, AC, and Flexible Metal Conduit to boxes and enclosures.

Features:

- No locknut required.
- Single-unit or duplex construction with captive clamp.
- Connects over 100 sizes of MC, AC and Flexible Metal Conduit with just four fittings.
- Easy to install. Just tilt, insert and snap down.
- Single-unit construction eliminates loose component parts.
- Integral red plastic insulated throat bushing provides maximum protection for wire insulation.

Materials/Finish:

Steel/Zinc Electroplated

Third Party Certification:



UL Listed: E-11852
For Steel Box Installations

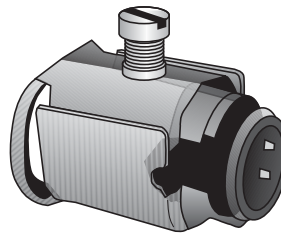


CSA Certified: 28507

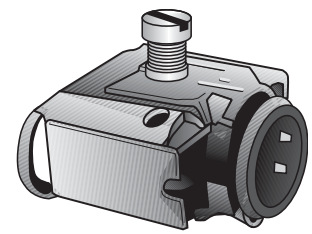
Applicable Third Party Standards:

UL Standard: 514B
CSA Standard: C22.2 No. 18
Fed. Spec: W-F-406E

Exceeds UL specifications for electrical continuity and is suitable as a grounding means under NEC 250-118 and for hazardous locations under NEC 501-4(b), for Class 1, Div. 2 areas.

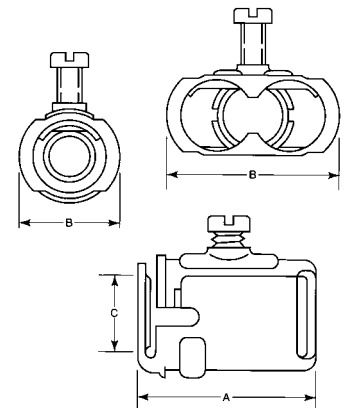


AMC-50



AMC-52

Trade Size (inches)	Catalog Number	Dimensions in Inches		
		A	B	C
1/2 Single	AMC-50	1 3/8	1	13/32
3/4 Single	AMC-75	1 5/8	1 5/16	9/16
1/2 KO; 3/4 capacity	AMC-5075	1 5/8	1 5/16	9/16
1/2 Duplex	AMC-52	1 9/16	1 23/32	9/16



Cable Type	AMC SELECTION CHART									
	AMC-50 1/2" KO			AMC-5075 1/2" KO 3/4" Capacity			AMC-75 3/4" KO		AMC-52** 1/2" KO Duplex	
AC Steel	14/2	14/3	14/4	10/4	10/5	10/4	10/5	14/2	14/3	14/4
	12/2	12/3	12/4	8/3	8/4	8/3	8/4	12/2	12/3	12/4
	10/2	10/3		6/3		6/3				
HFC Steel Health Care Facilities	14/2	14/3						14/2	14/3	
	12/2	12/3						12/2	12/3	
	10/2									
AC Aluminum Interlocked	14/2	14/3	14/4	10/4		10/4		14/2	14/3	14/4
	12/2	12/3	12/4	8/3	8/4	8/3	8/4	12/2	12/3	12/4
MC Steel	*14/2	*14/3	*14/4	*10/3	*10/4	*10/3	*10/4	14/2	14/3	14/4
	*12/2	*12/3	*12/4	*8/2	*8/3	*8/2	*8/3	12/2	12/3	12/4†
		*10/2		*6/2		*6/2		10/2†		
MC Aluminum Interlocked	14/2	14/3	14/4	10/3	10/4	10/3	10/4	14/2	14/3	14/4
	12/2	12/3	12/4	8/2		8/2		12/2	12/3	12/4
		10/2								
MC Aluminum		14/3	14/4							
		*12/2	*12/3	12/4						
		10/2	10/3							
MC Aluminum Flat		12/3								
Flexible Metal Conduit (Standard and Reduced Wall)	3/8 Steel & Alum			1/2 Steel			1/2 Steel			

*Concrete tight when taped and used with PVC jacketed cable.

**Accepts 2 cables of each size listed.

†Accommodates without UL listing.