

One Gang Weatherproof Covers

Die Cast Metal. Gasket and mounting hardware included.



WCB1



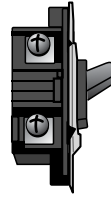
WCB14



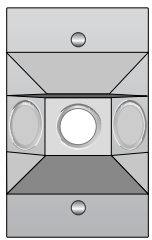
WCT1



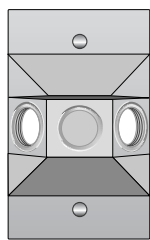
WCT115
WCT113



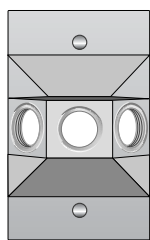
WCE1



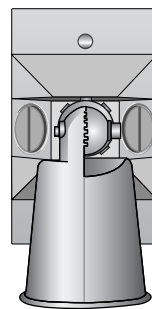
WC1150



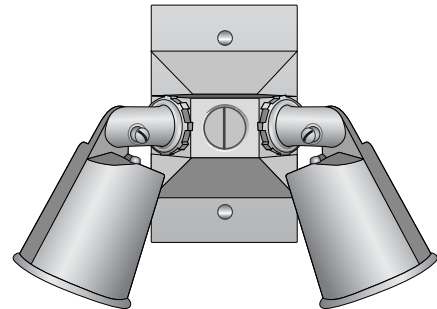
WC1250



WC1350



WC11L



WC12L

For horizontal to downward aiming
(For use with 150W max. lamp)

Catalog Number	Description	Orientation	For use with devices	Color	Packaging	Wt Per 100 (lbs)	Case Qty
WCB1*	Blank Cover, 2-screws (Stamped Aluminum)	Universal	—	Grey	Shrink Wrapped	10	42
WCB14*	Blank Cover, 4-screws (Stamped Aluminum)	Universal	—	Grey	Shrink Wrapped	10	42
WCT1*	Toggle Switch Cover	Vertical	Switch (10A - 20A)	Grey	Shrink Wrapped	25	20
WCT115*	Toggle Switch Cover w/switch	Vertical	Switch (15A, 1-pole) included	Grey	Shrink Wrapped	56	18
WCT113*	Toggle Switch Cover w/switch	Vertical	Switch (15A, 3 Way) included	Grey	Shrink Wrapped	56	18
WCE1	Cover with Photocell (Stamped Aluminum)	Universal	Photocell (120A, 300W) included	Grey	Shrink Wrapped	30	10
WC1150*	Raised Cover, one 1/2" hub	Universal	1 Photocell or lampholder	Grey	Shrink Wrapped	30	20
WC1250*	Raised Cover, two 1/2" hubs	Universal	2 Photocells or lampholders	Grey	Shrink Wrapped	30	20
WC1350*	Raised Cover, three 1/2" hubs	Universal	3 Photocells or lampholders	Grey	Shrink Wrapped	30	20
WC11L*	Raised Cover, one 1/2" hub with lampholder	Universal	1 Lampholder included	Grey	Shrink Wrapped	81	8
WC12L*	Raised Cover, two 1/2" hubs with lampholders	Universal	2 Lampholders included	Grey	Shrink Wrapped	125	8

* Catalog number shown represents grey color. White (Suffix W) and Bronze (Suffix B) also available. Consult factory for lead time.