

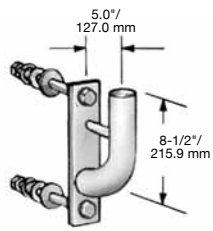
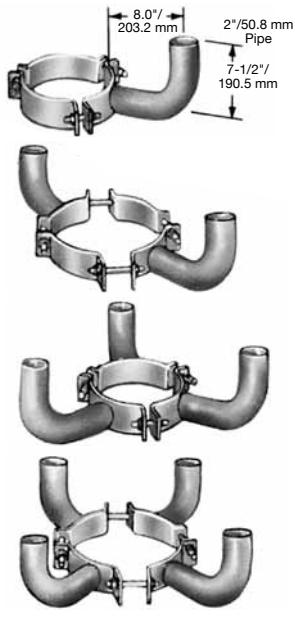
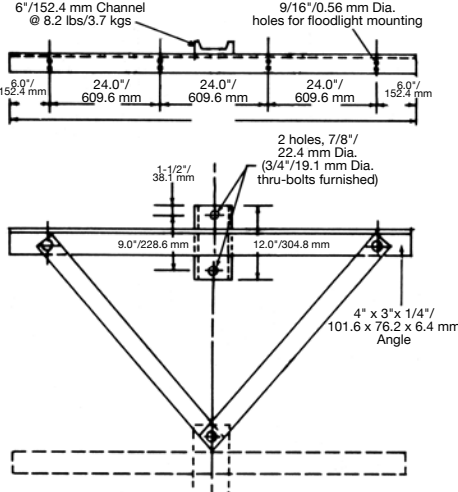
Floodlight Mounting Brackets

Single or Multiple Installation on Wall, Wood or Metal Poles

Lighting

LIGHTING: GENERAL LIGHTING — AREA — POLES AND HANGERS

Dimensions may vary. Consult your local sales representative for specifications

	Description	Catalog Number
	<p>Wood Pole or Wall Mounting Bracket</p> <p>For Floodlights with 2"/50.8 mm Slip-Fitter, or will mount G-PB Series brackets with floodlights.</p> <ul style="list-style-type: none"> Complete with two 13"/330.2 mm-long bolts, washers, and nuts. Red oxide prime coat finish. 	G-PWB-1
	<p>Wood Pole Clamp Brackets</p> <ul style="list-style-type: none"> Pole clamping floodlight mounting brackets constructed of 2"/50.8 mm steel pipe. Furnished complete with clamping bolts and nuts. Has red oxide primer coat finish. For 1 to 3 floodlights—Fits 6"/152.4 mm to 9"/228.6 mm poles. For 4 floodlights—Fits 9"/228.6 mm to 12"/304.8 mm poles. 	<p>1 Arm G-PCB-1</p> <p>2 Arm G-PCB-2</p> <p>3 Arm G-PCB-3</p> <p>4 Arm G-PCB-4</p>
	<p>Wood Pole Crossarm Lite Mount Bracket</p> <p>Mounting arm made of rugged angular steel stock with 1/4" supporting struts. Has hot-dipped galvanized finish. Furnished with all nuts and bolts to assemble and install bracket to wood pole.</p>	G-PCAB-4