

Vertical Drain/Sealing Fittings — 25%

Type EYD
Female/Female

Type EYDM
Male/Female

Use:

To seal and drain vertical conduits. To minimize the passage of gases and vapors and prevent the passage of flames from one portion of the electrical system to another through the conduit.

Features:

- Threaded for Rigid Conduit or IMC
- Tapered threads (NPT)
- Simple to install. Internal drainage path provides a visual means to ensure that the compound chamber is properly filled. **No need to use hoses and wires.**
- Large cover opening for easy packing of fiber dam on 1/4" through 4" sizes
- Temporary plastic sleeve protects thread for drain/breather from contamination when pouring compound.
- Unique patented design enables installation of stainless steel drain/breather right after compound is poured - **no waiting.**
- Can be used with O-Z/Gedney Type EYC or Crouse-Hinds Chico Sealing Compound.
- Provides continuous water drain path while allowing conduit run to breathe, in compliance with the NEC.
- 25% conductor fill. For 40% Conductor Fill, see EYDX on page BA9.
- Sealing Compound & Fiber- see pg. BA13.
- EYDM style supplied with removable close nipple

Material/Finish:


Malleable Iron Body, Seal Cover and Filler Plug/Zinc Electroplated
Stainless Steel Drain/Breather


Optional Finish:

Hot Dip or Mechanical Galvanized.
Add suffix "G" to standard catalog number.
All sizes of plugs are Mechanical Galvanized.
Contact your local representative for pricing and availability.

Note:Turning radius shown for 1/4" and larger sizes is with filling cover removed.

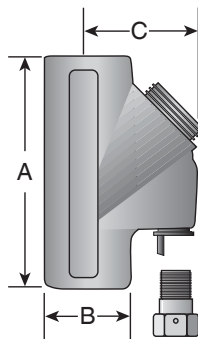
Third Party Certification:

 UL Listed: E-34997
Class I, Div. 1, 2, Groups C, D
Class I, Zone 1, 2, Groups IIA, IIB
Class II, Div. 1, 2, Groups F, G
Class III
Suitable for wet locations
UL Listed using: O-Z/Gedney EYC sealing compound or Crouse-Hinds Chico compound in these fitting.

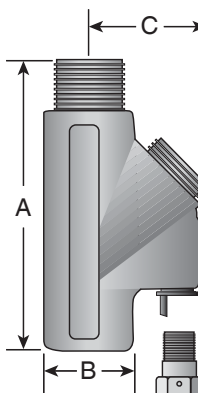
 CSA Certified: 009795
CSA Certified using any manufacturers
CSA Certified sealing compound.

Applicable Third Party Standards:

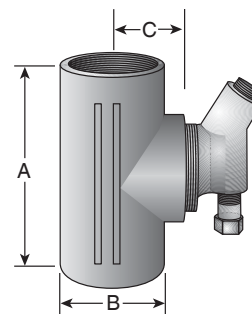
UL Standard: 886
CSA Standard: C22.2 No. 30
NEC Articles 500-503 & 505
Mil. Spec: Mil-F-28675



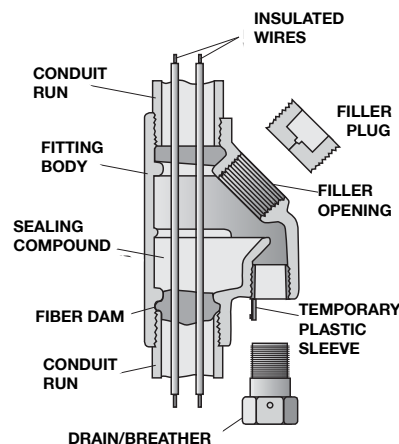
Type EYD
1/2" - 1"



Type EYDM
1/2" - 1"



Type EYD/EYDM
1/4" - 4"



Trade Size (inches)	Catalog Number	Dimensions in Inches			Sealing Compound Required	Approx. Amt. Fiber/Hub Required
		(A) Overall Length	(B) Body Diameter	(C) Turning Radius		
1/2	EYD-50	3 1/2	1 1/8	1 1/8	1 1/4 oz	1/32 oz
3/4	EYD-75	3 3/4	1 1/8	1 3/4	2 oz	1/16 oz
1	EYD-100	4 3/8	1 3/4	2 1/8	4 oz	1/8 oz
1 1/4	EYD-125	4 5/8	2	2 1/16*	6 oz	1/4 oz
1 1/2	EYD-150	4 3/4	2 1/4	2 3/16*	9 oz	1/2 oz
2	EYD-200	5 5/8	2 3/4	2 5/8*	15 oz	1 oz
2 1/2	EYD-250	6 3/4	3 5/8	3*	1 1/2 lb	1 1/2 oz
3	EYD-300*	7 7/8	3 15/16	3 3/16*	2 1/2 lb	2 oz
3 1/2	EYD-350*	8	4 3/8	3 3/4*	3 1/2 lb	3 oz
4	EYD-400*	9 1/8	5	4*	5 lb	4 1/2 oz
1/2	EYDM-50	4	1 1/8	1 1/8	1 1/4 oz	1/32 oz
3/4	EYDM-75	4 1/4	1 3/8	1 3/4	2 oz	1/16 oz
1	EYDM-100	4 5/8	1 3/4	2 1/8	4 oz	1/8 oz
1 1/4	EYDM-125	5 3/8	2	2 1/16*	6 oz	1/4 oz
1 1/2	EYDM-150	5 1/2	2 1/4	2 3/16*	9 oz	1/2 oz
2	EYDM-200	6 5/8	2 3/4	2 5/8*	15 oz	1 oz
2 1/2	EYDM-250	8 1/8	3 5/8	3*	1 1/2 lb	1 1/2 oz
3	EYDM-300*	9 3/8	3 15/16	3 3/16*	2 1/2 lb	2 oz
3 1/2	EYDM-350*	9 1/2	4 3/8	3 3/4*	3 1/2 lb	3 oz
4	EYDM-400*	10 5/8	5	4*	5 lb	4 1/2 oz

* Not UL Listed