

Areamaster™ 1000 Floodlights

Integrally Ballasted. 1000 W HPS; 1000 W, 1500 W MH

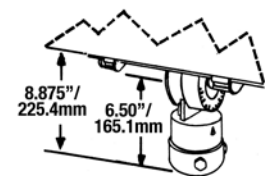
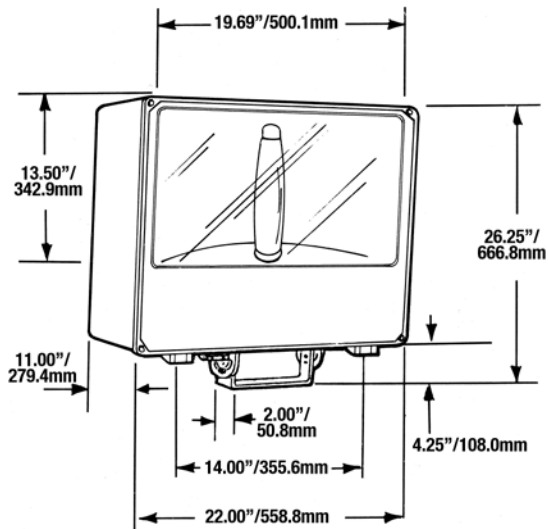
For general or hazardous locations.

NEC: For general, marine and hazardous locations
Class I, Division 2, Groups A, B, C, D

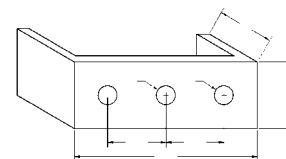
CEC: For general, marine and hazardous locations
Class I, Division 2, Groups A, B, C, D
Class I, Zone 2, Ex nR, Groups IIA, IIB, IIC

Lamp Watts ①	Line Voltage ②	NEC/CEC	General Duty		CEC
		Class 1, Division 2 Classified Duty and Marine Yoke Mount Catalog Number ③	NEC/CEC Yoke Mount Catalog Number ④	NEC/CEC Slip-Fit Mount Catalog Number ①②	Class I, Zone 2, Ex nR Classified Duty and Marine Yoke Mount Catalog Number ⑤
High Pressure Sodium					
1000	120/208/240/277	G-AM861L-MT-I/2	G-AM861L-MT	G-AM865L-MT	G-AM861L-MT-Z ⑥
1000	120/277/347	G-AM861L-TT-I/2 ⑥	G-AM861L-TT ⑥	G-AM865L-TT ⑥	G-AM861L-TT-Z ⑥
1000	480	G-AM861L-48-I/2	G-AM861L-48	G-AM865L-48	G-AM861L-48-Z ⑥
Metal Halide					
1000	120/208/240/277	G-AM861H-MT-I/2	G-AM861H-MT	G-AM865H-MT	G-AM861H-MT-Z ⑥
1000	120/277/347	G-AM861H-TT-I/2 ⑥	G-AM861H-TT ⑥	G-AM865H-TT ⑥	G-AM861H-TT-Z ⑥
1000	480	G-AM861H-48-I/2	G-AM861H-48	G-AM865H-48	G-AM861H-48-Z ⑥
1500	120/208/240/277	—	G-AM961H-MT	G-AM965H-MT	—
1500	480	—	G-AM961H-48	G-AM965H-48	—

Dimensions



Slip-Fit Mount



Yoke Mount

- ① Slip-fits 2" or 2-1/2" pipe-size tenons.
- ② Add suffix -E to catalog number if provision for bayonet type quartz emergency option is desired. Furnished with socket installed and pre-wired. Quartz emergency option NOT available for Class I, Division 2 fixtures.
- ③ Classified duty floodlights have 3/4" N.P.T. tapped hub for power entry.
- ④ Additional ballast types and voltages are available. Contact your local sales representative.
- ⑥ CSA Certification only.