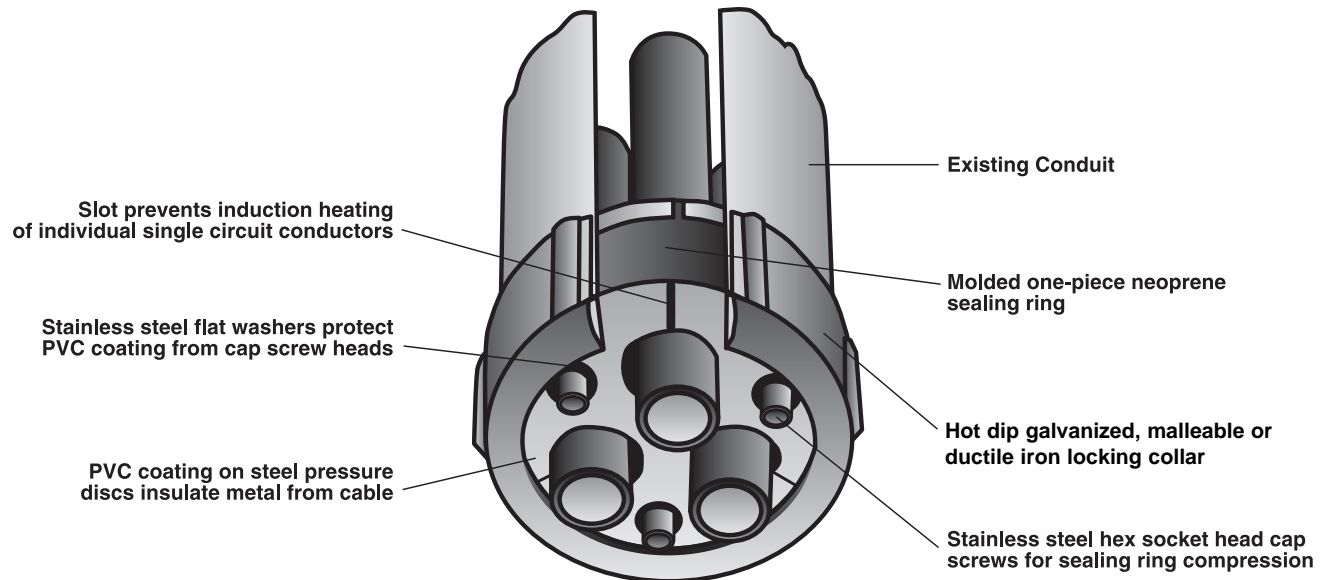


Conduit Sealing Bushings

Type CSB

For use with Cable



Details of Construction:

Pressure Discs: Thick metal discs with custom drilled holes to accommodate cables. Steel discs are slotted at cable holes to eliminate induction heating effect of single conductor alternating current. Steel discs are PVC coated for corrosion protection, to insulate cable holes and to prevent plates from bridging to other ferrous parts. Uncoated aluminum plates are available. Copper alloy, stainless steel or phenolic discs are available at price addition.

Screws & Washers: Corrosion-proof stainless steel socket head screws are used to compress the two discs against the sealing ring. Hex head stainless steel machine screws are available. PVC coated discs have stainless steel washers to prevent screws from damaging coating. (Suffix - P type only.)

Locking Collar: Malleable iron hot dip galvanized; suffix "A" for aluminum. Gaskets are provided to prevent locking collar and end of conduit from damaging PVC coated disc. (Suffix - P type only.)

Sealing Ring: Thick one-piece neoprene ring custom drilled. Neoprene is specifically compounded for the following operating characteristics:

1. Low compression modulus (the ability of the neoprene sealing ring to seal with low-tightening force).
2. Very low compression set (maintain seal over extended period without having to retighten).
3. Anti-oxidant (resistance to ozone attack).
4. Anti-oxidant (resistance to weathering).
5. Low crystallization (suitable for use at low temperatures).
6. Fire retardant (will not support combustion).

For modifications or special requirements, contact your local representative for price and availability.