

Cable Supports

Retrofit Type Split Bakelite Body with pOzi-grip® "S-style" Wedging Plug

Type D

For TWO or more wires already installed in conduit - Indoors - at voltages to 600v.

Use:

- For supporting non-armored electrical cables in vertical conduit risers.


Features:


- Retrofit Type Cable Support can be installed after conductors are pulled and terminated.
- Split body rests on existing bushing atop any conduit raceway.
- The two halves of the body are placed around the cables, seated on the existing bushing and securely held together by the steel band set in a groove around the body. The plug is then wedged between the cables.
- Use with all types of insulations at voltages to and including 600V.
- The tapered, knurled insulating inner body surface and pOzi-grip plug provide support well in excess of code requirements.

Material/Finish:

Bodies are two molded Canvas Bakelite halves. Inside surface is knurled to grip cables. Steel band – zinc plated. Bolts & nuts are stainless steel.

Third Party Certification:

 UL Listed: E-11853

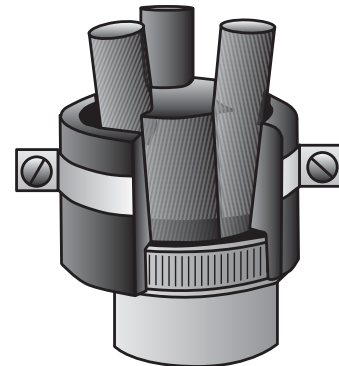
 CSA Certified: 11584

Applicable Third Party Standards:

UL Standard: 514B
 CSA Standard C22.2 No. 18
 NEC 300-19

TO ORDER SPECIFY:
 1 Catalog Number
 2 Type and number of conductors in conduit
 3 Outside diameters of each conductor

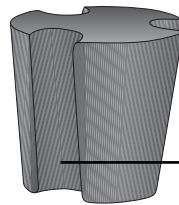
*Cable support plugs will not be supplied undrilled.



Type D

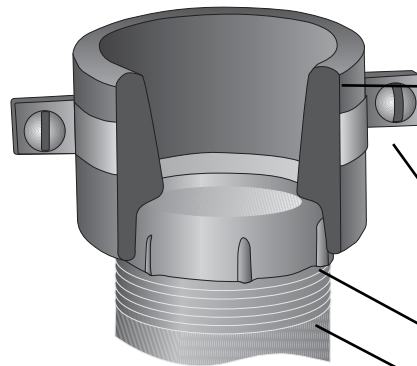
Conduit Size	Catalog Number Complete Fitting		Catalog Number Plug Only*		Dimensions in Inches				
	2-4 Same Size Wires	Any Number of Different Size Wires or 5 or More Same Size Wires	2-4 Same Size Wires	Any Number of Different Size Wires or 5 or More Same Size Wires	Outside Dia.	Overall Height	Approx. Turning Radius "R"	Inside Dia. of Skirt	No. of Straps
1½"	D-1502-1	D-1502-2	SPLG-1500-1	SPLG-1500-2	2⅝"	2"	2"	2¼"	1
2"	D-2002-1	D-2002-2	SPLG-2000-1	SPLG-2000-2	3¼"	2¼"	2⅝"	2⅝"	1
2½"	D-2502-1	D-2502-2	SPLG-2500-1	SPLG-2500-2	3⅞"	2½"	3"	3⅝"	2
3"	D-3002-1	D-3002-2	SPLG-3000-1	SPLG-3000-2	4½"	2⅞"	3⅝"	4"	2
3½"	D-3502-1	D-3502-2	SPLG-3500-1	SPLG-3500-2	5¼"	3⅝"	3⅝"	4⅝"	2
4"	D-4002-1	D-4002-2	SPLG-4000-1	SPLG-4000-2	5¼"	3½"	3⅝"	5⅝"	2
5"	D-5002-1	D-5002-2	SPLG-5000-1	SPLG-5000-2	6¼"	3¾"	4¾"	6¼"	2
6"	D-6002-1	D-6002-2	SPLG-6000-1	SPLG-6000-2	8¼"	4⅝"	5¼"	7⅝"	2

*Cable support plugs will not be supplied undrilled.



Impregnated Hardwood pOzi-grip® Wedging Plug

Shape and special gripping surface of grooves in plug give maximum support to cable.



Two molded Canvas Bakelite halves. Inside surface is knurled to grip cables.

Steel band, Zinc Plated. Bolts and nuts are Stainless Steel.

Existing Bushing

Existing Conduit