

# McGILL 0090 Series Single Pole Toggle Switches

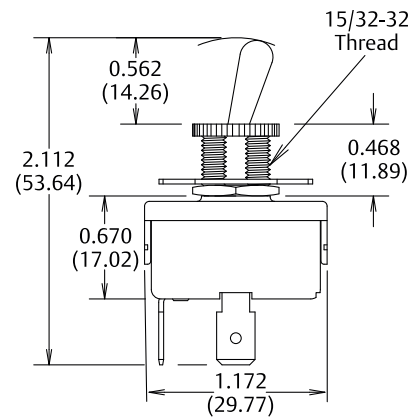
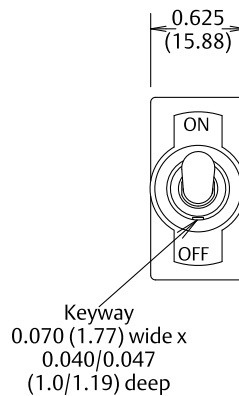


## Specifications

- UL recognized, CSA certified
  - 20A, 125VAC
  - 10A, 250VAC
  - 1 HP, 125-250VAC
  - 20A, 250VAC (non-inductive)
- Suitable for 20A, 12VDC applications

## Construction

- .250 x .032 spade, solder and screw terminals.
- 16-gauge wire leads are also available. Consult factory for other circuits or custom designs.
- Available with rubber “O” ring to resist moisture or splashing liquids.



Approximate dimensions in inches and (millimeters).

Circuit Arrangement			20A			
			Poles	Cat. No.		
A	B	C		Screw Terminal	Solder Terminal	.250 Spade Terminal
on	—	off	SPST	90-0001	90-0002	90-0003
on	off	on	SPDT	91-0001	91-0002	91-0003
on	—	on	SPDT	92-0001	92-0002	92-0003
(on)	off	(on)	SPDT	93-0001	93-0002	93-0003
on	off	(on)	SPDT	93-1001	93-1002	93-1003
(off)	—	on	SPST	93-2001	93-2002	93-2003
(on)	—	off	SPST	93-3001	93-3002	93-3003
on	—	(on)	SPDT	93-4001	93-4002	93-4003

( ) Momentary

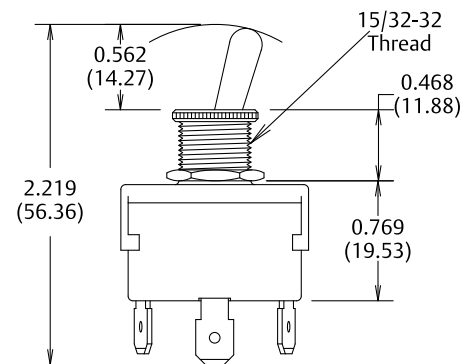
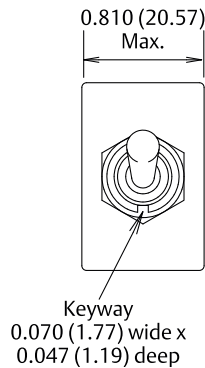
NOTE: Mounting hardware and terminal screws (where applicable) furnished unassembled. Mounting hardware consists of one plated hex nut and knurl nut. Indicating plate is also furnished for maintained ON-OFF circuits.

# McGILL 0121 Series Double Pole Toggle Switches



## Specifications

- UL recognized, CSA certified
  - 15A, 277VAC
  - 3/4 HP, 125-277VAC
- Suitable for 15A, 12VDC applications
- 20A Rating Applies to 0121-7000 Series
  - 20A, 277VAC
  - 1 HP, 125-277VAC



## Construction

Approximate dimensions in inches and (millimeters).

- .250 x .032 spade, solder and screw terminals.
- 16-gauge wire leads are also available. Consult factory for other circuits or custom designs.
- Available with rubber "O" ring to resist moisture or splashing liquids.

Circuit Arrangement				Poles	Cat. No.		
A	B	C	Screw Terminal		Solder Terminal	.250 Spade Terminal	
15A	on	—	off		DPST	0121-0001	0121-0017
	on	off	on	DPDT	0121-0002	0121-0018	0121-0010
	on	—	on	DPDT	0121-0003	0121-0019	0121-0011
	(on)	off	(on)	DPDT	0121-0004	0121-0020	0121-0012
	(on)	—	off	DPST	0121-0005	0121-0021	0121-0013
	on	—	(on)	DPDT	0121-0006	0121-0022	0121-0014
	on	off	(on)	DPDT	0121-0007	0121-0023	0121-0015
	(off)	—	on	DPST	0121-0043	0121-0045	0121-0044
20A	on	—	off	DPST	0121-7001	0121-7017	0121-7000
	on	off	on	DPDT	0121-7004	0121-7014	0121-7010
	on	—	on	DPDT	0121-7005	0121-7013	0121-7006
	(on)	off	(on)	DPDT	0121-7039	0121-7058	0121-7055
	on	off	(on)	DPDT	0121-7043	0121-7059	0121-7045
	(on)	—	off	DPST	0121-7056	0121-7060	0121-7018
	on	—	(on)	DPDT	0121-7057	0121-7061	0121-7046

( ) Momentary

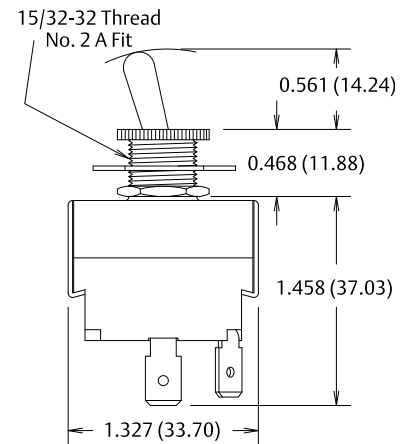
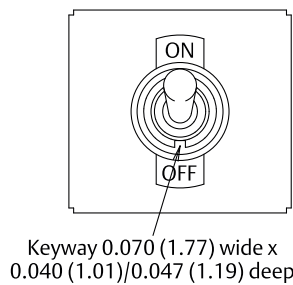
NOTE: Mounting hardware and terminal screws (where applicable) furnished unassembled. Mounting hardware consists of one plated hex nut and knurl nut. Indicating plate is also furnished for maintained ON-OFF circuits.

# McGILL 0140 Series 3 and 4 Pole Toggle Switches



## Specifications

- UL recognized
  - 17A, 277VAC
  - 1 HP, 125VAC
  - 2 HP, 250VAC
  - 1, 2 or 3 Phase
- CSA certified
  - 17A, 125-277VAC
  - 1 HP, 125VAC
  - 2 HP, 250VAC
  - 1, 2 or 3 Phase



Approximate dimensions in inches and (millimeters).

## Construction

- .250 x .032 spade, solder and screw terminals.
- 14-gauge wire leads are also available. Consult factory for other circuits or custom designs.
- Available with rubber “O” ring to resist moisture or splashing liquids.

Circuit Arrangement A B C	THREE POLE TOGGLE SWITCHES						FOUR POLE TOGGLE SWITCHES			
	Poles	Cat. No.			Poles	Cat. No.				
		Screw Terminal	Solder Terminal	.250 Spade Terminal		Screw Terminal	Solder Terminal	.250 Spade Terminal		
on — off	3PST	*0140-3020	*0140-3010	*0140-3000	4PST	*0140-4020	*0140-4010	*0140-4000		
(on) — off	3PST	0140-3021	0140-3011	0140-3001	4PST	0140-4021	0140-4011	0140-4001		
on — (off)	3PST	0140-3022	0140-3012	0140-3002	4PST	0140-4022	0140-4012	0140-4002		
on off on	3PDT	0140-3023	0140-3013	0140-3003	4PDT	0140-4023	0140-4013	0140-4003		
on — on	3PDT	0140-3024	0140-3014	0140-3004	4PDT	0140-4024	0140-4014	0140-4004		
on — (on)	3PDT	0140-3025	0140-3015	0140-3005	4PDT	0140-4025	0140-4015	0140-4005		
on off (on)	3PDT	0140-3026	0140-3016	0140-3006	4PDT	0140-4026	0140-4016	0140-4006		
(on) off (on)	3PDT	0140-3027	0140-3017	0140-3007	4PDT	0140-4027	0140-4017	0140-4007		

( ) Momentary \* Indicating plate supplied with On-Off circuit only.

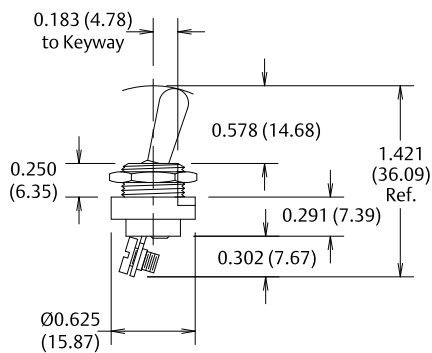
# McGILL 0125 Series Shorting Switches



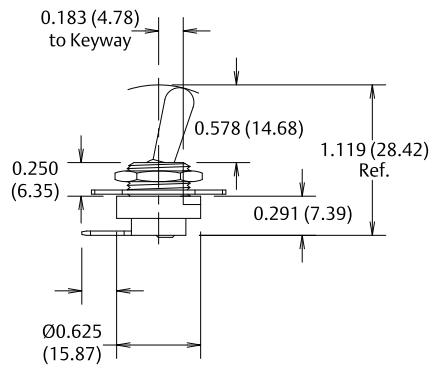
A single pole switch is commonly used for grounding or shorting gasoline motor ignition systems mounted with single wire to ignition coil primary. When in the “off” position, the terminal shorts to bushing mounting. It is especially suitable for chain saws and power lawn motors.

## Construction

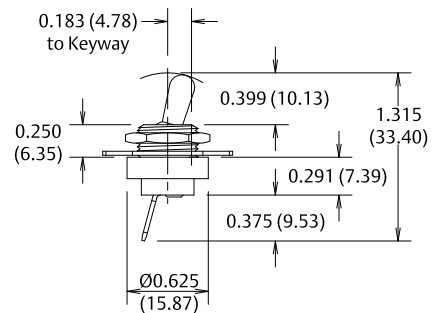
- Available with screw or spade terminals.
- .399” or .578” bat handle lengths.
- Indicating plate available.



**0125-0001**



**0125-0029**



**0125-0069**

*Approximate dimensions in inches and (millimeters).*

Circuit Arrangement			0125 Series			
			Cat. No.			
A	B	C	Poles	Screw Terminal	.250 – Lo Spade Terminal	.250 75 Degree Spade
on	—	off	SPST	0125-0001	0125-0029	0125-0069

## McGILL Toggle Switches Parts and Accessories



- 4125-9999 (1575)** — Knurled nut .563" O.D. x .078" thick, 15/32-32 thread.
- 0090-9998 (1610-2)** — Hex nut 15/32-32 thread x .093" thick.
- 0090-9999 (1650)** — Indicating plate ON-OFF.
- 0090-9965** — Indicating plate I-O.
- 0090-9992 (25752)** — Grounding switch indicating plate ON-OFF.
- 0090-9996 (01650)** — Indicating plate HI-LO.
- 1002-9993 (1950)** — External tooth lockwasher .470" I.D. x .740" O.D.
- 0090-9995 (1957)** — Internal tooth lockwasher .472" I.D. x .593" O.D.
- 0091-9999 (25494)** — Locking ring .718" O.D. x .475" I.D. x .031" thick.
- 0000-9992 (25777-01)** — Black decorative tip for toggle lever.
- 0000-9994 (25777-02)** — White decorative tip for toggle lever.
- 0000-9997 (25777-03)** — Red decorative tip for toggle lever.

### ***Rubber Boots Resists Moisture, Dirt, Dust, Many Solvents, Most Acids***

- 0090-9988** — Boot with nut for toggle switches, 15/32-32 thread.
- 0090-9986** — Rubber boot for toggle switches. Snaps over toggle and nut.
- 0090-9973** — Rubber boot for pushbutton switches. Snaps over push button and nut.

