

Diode LED Catalog Supplement

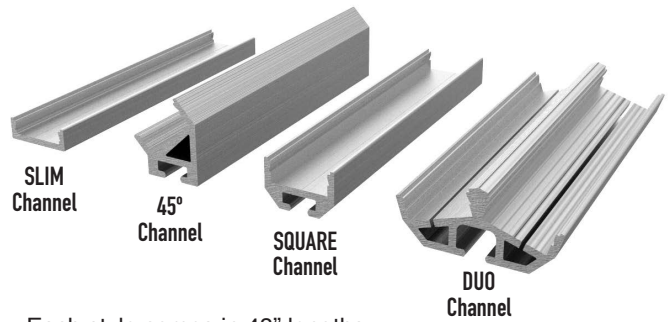
CHROMAPATH™ Aluminum Channels

CHROMAPATH Aluminum Channels offer an elegant solution for enclosing strip light in a protective and lightweight enclosure. Choose one of the four styles with a Clear or Frosted lens to create a customized lighting fixture with a professional finished look. Channels and lenses are cuttable and can be mounted end-to-end.

- New wider track fits all CLICKTIGHT connectors to eliminate the use of soldering, and maximizes beam angle.
- New mounting clips make installation easy. Simply mount the clips to a desired surface and snap in the CHROMAPATH Aluminum Channel (Four clips are included with each 48" length, except SLIM).
- 48" channel length accommodates strip light cut points of all densities for flawless lighting throughout the full enclosure.



Two Protective Lens Options:
Clear or Frosted

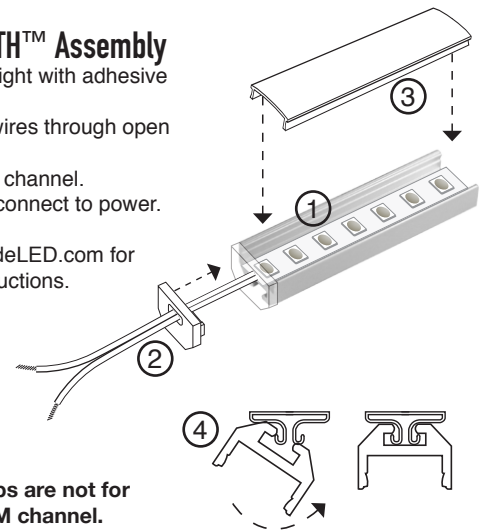


Each style comes in 48" lengths.

CHROMAPATH™ Assembly

1. Apply strip light with adhesive backing.
2. Feed lead wires through open end-cap.
3. Affix lens to channel.
4. Mount and connect to power.

Visit www.DiodeLED.com for complete instructions.



CHROMAPATH™ Mounting Clips

Four (4) clips included with each 48" length (except SLIM).

SLIM Channel
Ultra thin channel for minimal appearance
Mounting:
To be mounted with 3M Adhesive Tape. (DI-0775)

Open End-Cap is an access-way for wire leads.

45° Channel
45° angle for directed light

Open End-Cap is an access-way for wire leads.

SQUARE Channel
Strip light enclosure for low profile installations

Open End-Cap is an access-way for wire leads.

DUO Channel
Side-by-side trenches allow for double light output

Open End-Cap is an access-way for wire leads.

Diode LED Catalog Supplement

CHROMAPATH™ Aluminum Channels (continued)

Aluminum Channels

Item #	Aluminum Channels
DI-1600-B	CHROMAPATH – SQUARE Aluminum Channel (48") Comes with 4x mounting clips and 2x end-to-end connector plugs (for seamless in-line installation).
DI-1601-B	CHROMAPATH – 45° Aluminum Channel (48") Comes with 4x mounting clips and 2x end-to-end connector plugs (for seamless in-line installation).
DI-1602-B	CHROMAPATH – DUO Aluminum Channel (48") Comes with 4x mounting clips and 2x end-to-end connector plugs (for seamless in-line installation).
DI-1603	CHROMAPATH – SLIM Aluminum Channel (48") Aluminum channel only. Not compatible with mounting clips nor end-to-end connector plugs.

Channel Lens (available individually or in multi-packs)

Item #	Lenses
DI-1610	CHROMAPATH – Frosted Channel Lens (48") – 1 lens
DI-1610-2	CHROMAPATH – Frosted Channel Lens (48") – 2 lens pack
DI-1610-5	CHROMAPATH – Frosted Channel Lens (48") – 5 lens pack
DI-1610-10	CHROMAPATH – Frosted Channel Lens (48") – 10 lens pack
DI-1611	CHROMAPATH – Clear Channel Lens (48") – 1 lens
DI-1611-2	CHROMAPATH – Clear Channel Lens (48") – 2 lens pack
DI-1611-5	CHROMAPATH – Clear Channel Lens (48") – 5 lens pack
DI-1611-10	CHROMAPATH – Clear Channel Lens (48") – 10 lens pack

Channel End-Caps (Available in packs of 3 or 10)

Item #	End-Cap Bundles
DI-1620-3	CHROMAPATH – SQUARE End-cap – 3 pack Includes 3 Closed End-Caps and 3 Open End-Caps
DI-1620-10	CHROMAPATH – SQUARE End-cap – 10 pack Includes 10 Closed End-Caps and 10 Open End-Caps
DI-1622-3	CHROMAPATH – 45° End-cap – 3 pack Includes 3 Closed End-Caps A, 3 Closed End-Caps B, 3 Open End-Caps A and 3 Open End-Caps B
DI-1622-10	CHROMAPATH – 45° End-cap – 10 pack Includes 10 Closed End-Caps A, 10 Closed End-Caps B, 10 Open End-Caps A and 10 Open End-Caps B
DI-1624-3	CHROMAPATH – DUO End-cap – 3 pack Includes 3 Closed End-Caps and 3 Open End-Caps
DI-1624-10	CHROMAPATH – DUO End-cap – 10 pack Includes 10 Closed End-Caps and 10 Open End-Caps
DI-1626-3	CHROMAPATH – SLIM End-cap – 3 pack Includes 3 Closed End-Caps and 3 Open End-Caps
DI-1626-10	CHROMAPATH – SLIM End-cap – 10 pack Includes 10 Closed End-Caps and 10 Open End-Caps

Channel Mounting Accessories

Item #	Accessories
DI-1630-20	CHROMAPATH – Mounting Clips – 20 pack (not for use with SLIM Aluminum Channel)
DI-1631-10	CHROMAPATH – Universal end-to-end connector plugs – 10 pack For seamless in-line installation (not for use with SLIM Aluminum Channel)
DI-0775-F	3M Double-sided adhesive tape available by the foot. Recommended mounting method for SLIM Aluminum Channel