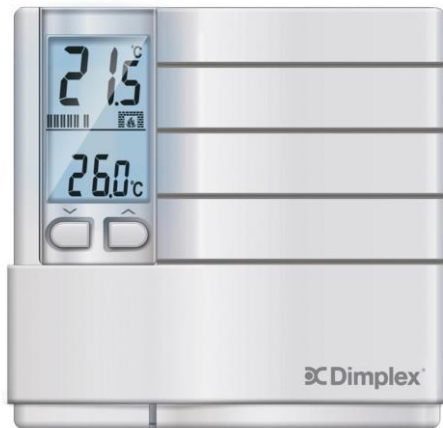


### Electronic Line Voltage Thermostats



HTC521W



HTC525W



CSA-C828  
Performance Standard

#### Features

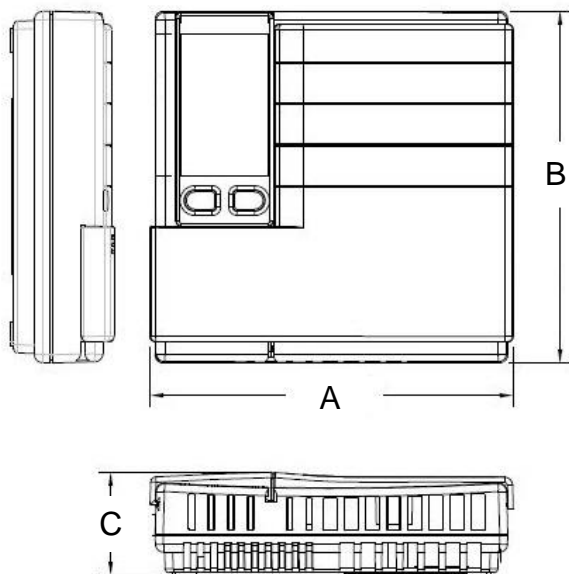
- |                       |  |
|-----------------------|--|
| <b>Type</b>           | - Non-programmable electronic proportional line voltage thermostat   |
| <b>Color</b>          | - White  |
| <b>Construction</b>   | - Molded plastic   |
| <b>Voltage</b>        | - 120/208/240V - 60 Hz.  |
| <b>Rating</b>         | - Maximum load: HTC521W – 15A, 3600W @ 240V, 1800W @ 120V<br>HTC525W – 16.7A, 4000W @ 240V, 2000W @ 120V     |
|                       | - Minimum load: 300W @ 240V  |
|                       | - TRIAC silent switching   |
| <b>Control</b>        | - Temperature control adjusted in 0.5°C (0.9°F) increments   |
|                       | - Precision: +/- 0.5°C (0.9°F)   |
|                       | - Selectable duty cycle rates: Fixed (no cycling), 20-second (default setting), 240-second (for fan heaters) |
| <b>Display</b>        | - Temperature Display in Celsius or Fahrenheit   |
|                       | - Setting range from +5°C to +35°C (41°F to 95°F)  |
|                       | - Heating power level display  |
| <b>Other Features</b> | - Meets CSA-C828 performance standard  |
|                       | - Built-in surge protection  |
| <b>Warranty</b>       | - 2-year warranty  |
| <b>Installation</b>   | - 2-wire thermostat; easy to install   |
|                       | - Heater must be installed at least 152 mm (6") from floor and side wall                                     |
|                       | - For use with all convection, fan-forced and radiant heaters  |

### Electronic Line Voltage Thermostats

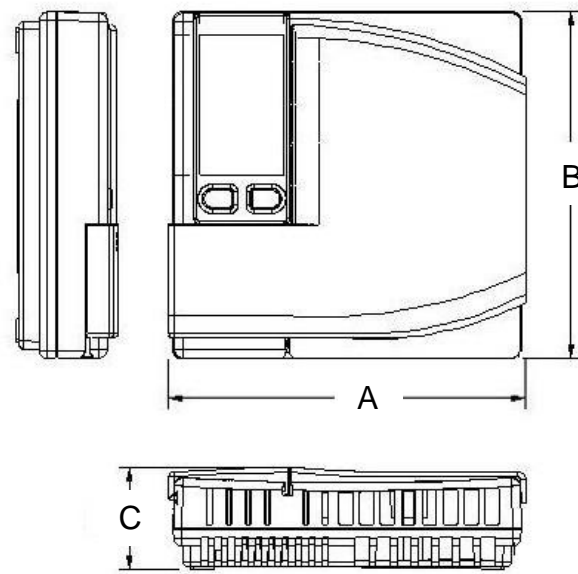
Cat No.	Description	Watts	Volts	Qty.	Dimensions			Weight	
					Width (A)	Height (B)	Depth (C)	kg	lb
HTC521W	Electronic proportional line voltage thermostat	3,600	120/208/240		130 mm (5.11")	130 mm (5.11")	35 mm (1.4")	0.34	0.86
HTC525W	Electronic proportional line voltage thermostat	4,000	120/208/240		130 mm (5.11")	130 mm (5.11")	35 mm (1.4")	0.34	0.86

Specifications may change without prior notice

HTC521W



HTC525W



Project:		Approval Information
Consultant Engineer:		
Electrician Contractor:		
Distributor:		
Date :		
Contact at Dimplex:		
Comments:		