

# GENERAL INFORMATION

## ACCESSORIES (for transformers listed in sections 3, 4, 7, 8, 9 and 10)

### ENCLOSURE MOUNTING KITS

If wall and/or ceiling mounting is desired for a transformer, optional mounting kits can be ordered separately. These mounting kits are NOT available for all enclosure case styles. Therefore, it is important that you confirm your enclosure case style, then use the selection table to the right to determine if A) a mounting kit is available and B) determine the correct HPS "Mounting Kit" part number that you must order. One kit is required for each transformer.

**Note:** Some of the mounting kits can be used for both wall and ceiling mount, while others are for wall mounting only. The table indicates which mounting methods are available for each kit. The NW2 wall/ceiling mounting kit also includes a drip plate.

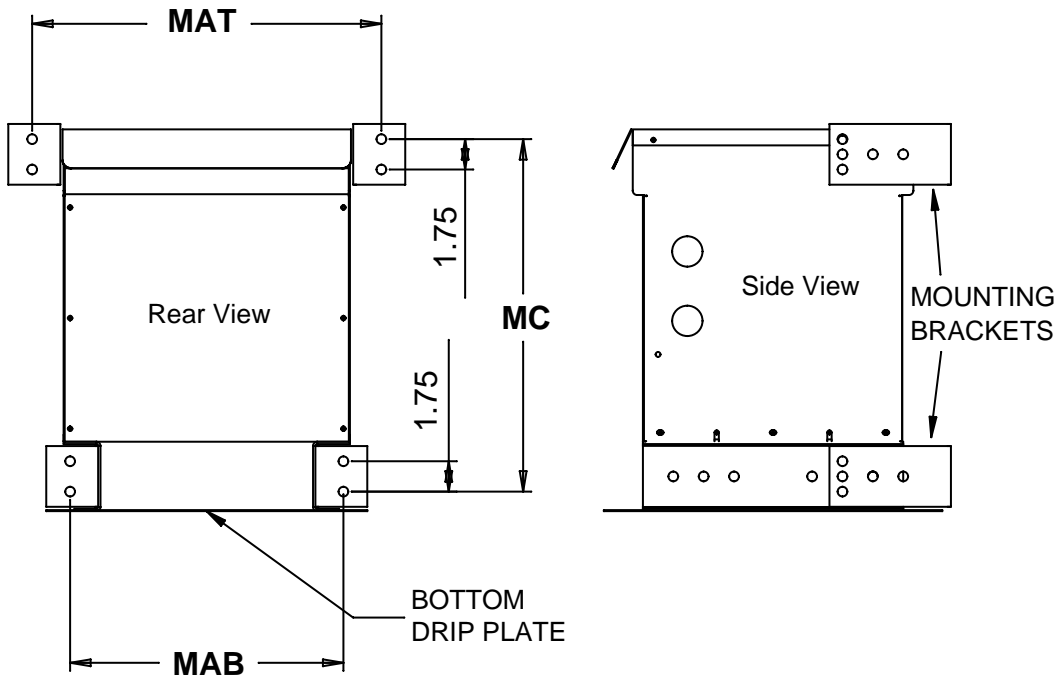
**The NW2 wall/ceiling mounting kit is only designed for units up to 750 pounds (341 kg) maximum.**

Enclosure Case Style	Wall Mount Available	Ceiling Mount Available	Hammond Mounting Kit P/N
L Series	Std	No	-
N1	No	No	N/A
N2	No	No	N/A
NH3	Yes	Yes	<b>NW2</b>
NH5	Yes	Yes	<b>NH5DP</b>
NH6	Yes	Yes	<b>NH6DP</b>
NJ Series	No	No	N/A
NQ Series	Std	No	-
NQT2 to NQT6	Std.	No	-
NQT7 to NQT8	Yes	No	<b>NQTW1</b>
NQT9 to NQT11	No	No	-

### NW2 WALL/CEILING MOUNTING KITS

The following drawings detail the wall and ceiling mounting dimensions required and method by which the NW2 kits are installed on the NH3 enclosures.

### NW2 WALL MOUNT - MOUNTING DIMENSIONS



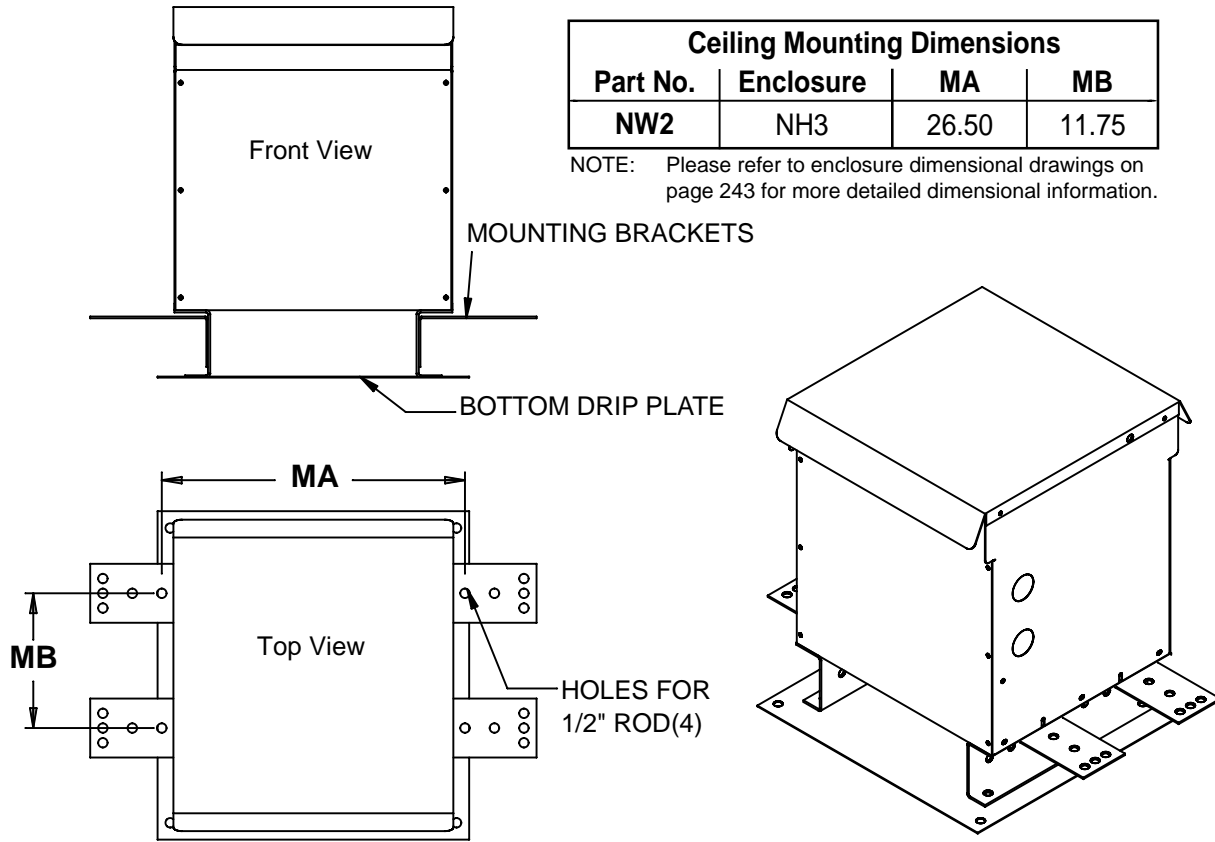
Wall Mounting Dimensions				
Part No.	Enclosure	MAT	MAB	MC
NW2	NH3	29.375	23.50	36.50

NOTE: Please refer to enclosure dimensional drawings on page 243 for more detailed dimensional information.

# GENERAL INFORMATION

## ACCESSORIES (for transformers listed in sections 3, 4, 7, 8, 9 and 10)

### NW2 CEILING MOUNT - MOUNTING DIMENSIONS



Ceiling Mounting Dimensions			
Part No.	Enclosure	MA	MB
NW2	NH3	26.50	11.75

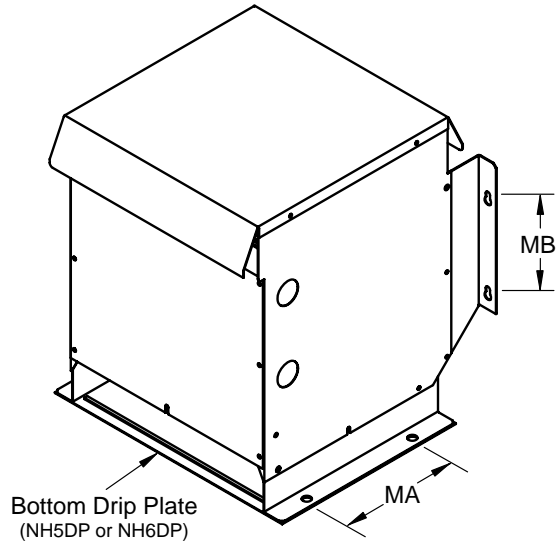
NOTE: Please refer to enclosure dimensional drawings on page 243 for more detailed dimensional information.

### NH5DP & NH6DP WALL/CEILING MOUNTING KITS

The NH5 and NH6 enclosures are designed with integral wall mounting capabilities. However, when you wall mount them you must also install the bottom drip plate as shown below. The "MB" dimensions listed in the table below indicate the location for the wall mounting hardware.

For ceiling mounting of the NH5 and NH6, refer to the "MA" dimensions listed in the table below and hang the enclosure using appropriate sized ceiling hanger rods. However, you must be sure to install the bottom drip plate to the bottom of the enclosure, then bring the hanger rod down through both the enclosure bottom mounting holes and through the drip plate mounting holes and install mounting hardware.

**NOTE: Do not ceiling mount either the NH5 or NH6 enclosures without installing the bottom drip plate.** All mounting hardware should be rated Grade 8 or higher.



Mounting Kit P/N	Enclosure Style	MA Dimension	MB Dimension
NH5DP	NH5	9.00	7.00
NH6DP	NH6	9.00	8.00

NOTE: Please refer to enclosure dimensional drawings on page 243 for more detailed dimensional information.

GENERAL INFORMATION

